

Ultra-Lift Clip-On Balance *(Installation / Sash Fabrication)*

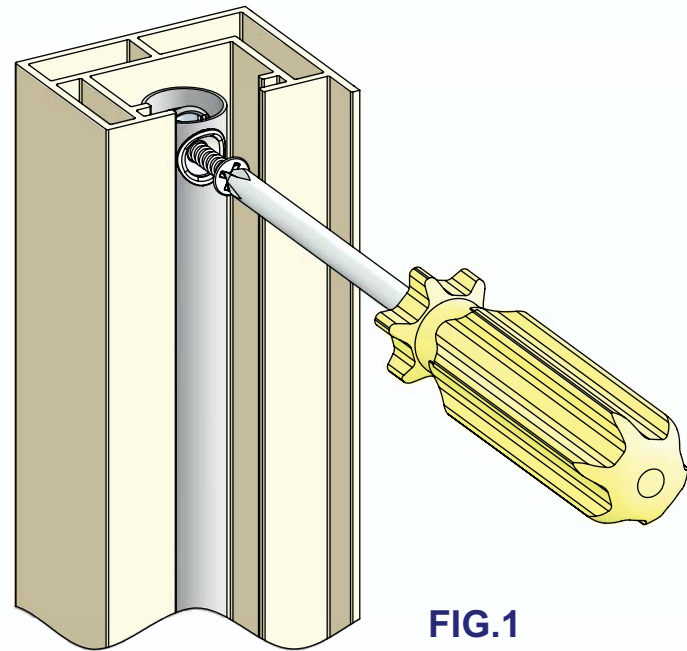


FIG.1

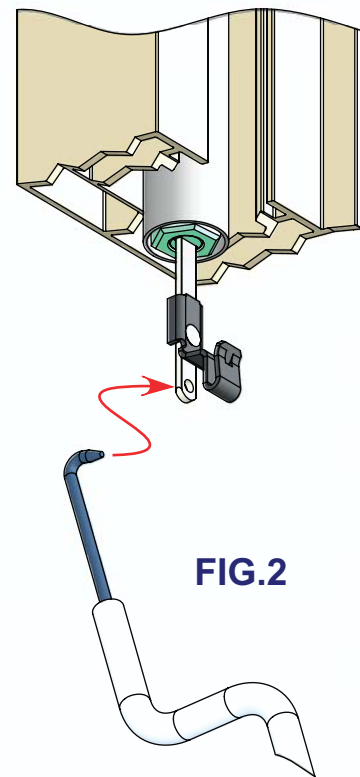


FIG.2

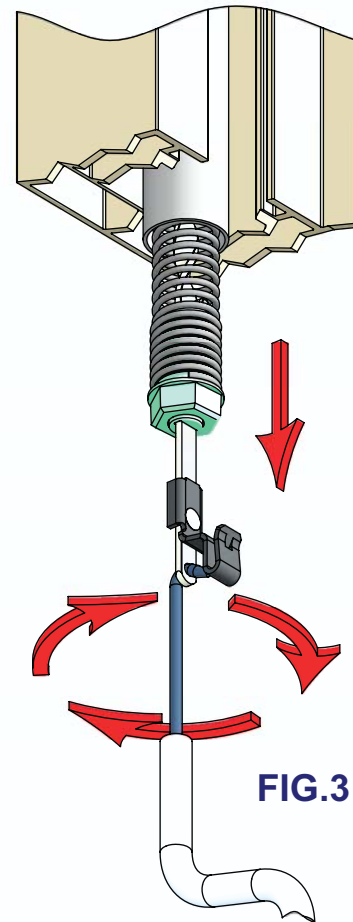


FIG.3

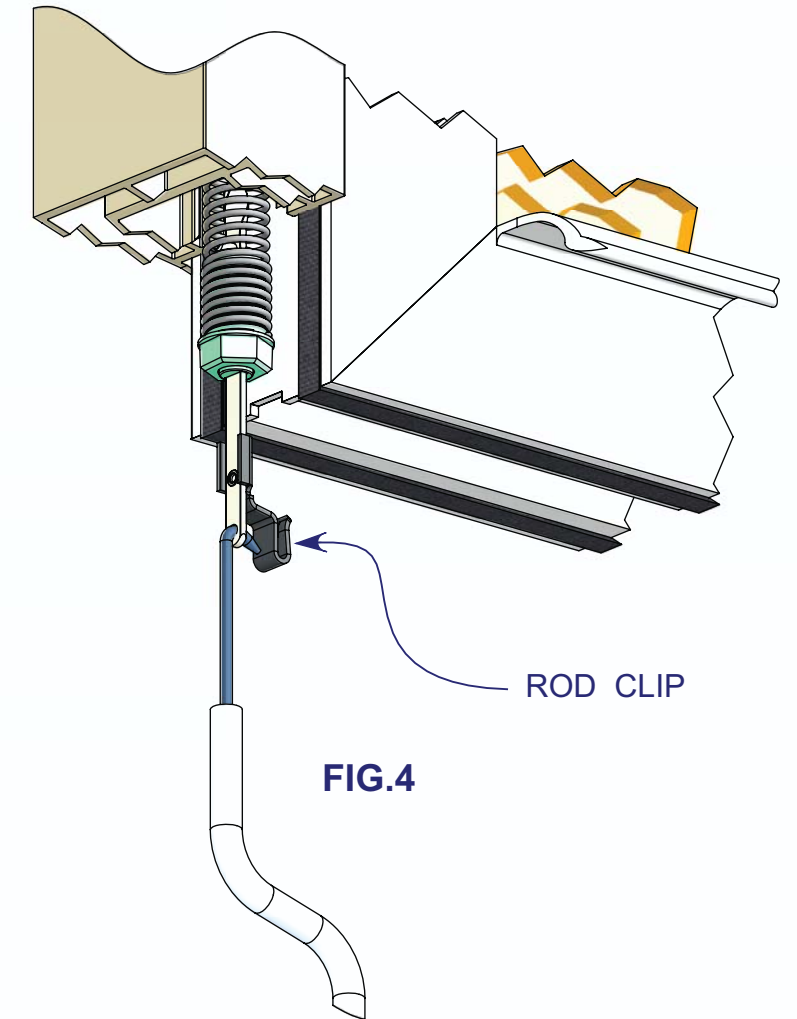


FIG.4

ROD CLIP

INSTALLATION PROCEDURES:

1. ATTACH THE BALANCE TO THE WINDOW FRAME USING A #8 SCREW (SEE FIG. 1).
2. ENGAGE ADJUSTING/TENSIONING TOOL WITH LOWER HOLE ON BALANCE ROD AND DISENGAGE ROD FROM PRETENSION ANCHOR BY SIMULTANEOUSLY PULLING AND ROTATING TENSIONING TOOL CLOCKWISE (WHEN VIEWED FROM BELOW). BE CAREFUL NOT TO LOSE PRETENSION TURNS (SEE FIG. 2 and FIG.3).
3. EXTEND ROD AND INSERT THE ROD CLIP INTO THE CUT-OUT IN BOTTOM OF SASH FULLY SEATING ROD CLIP . (SEE FIG.4 and FIG.5) (SEE SHEET 2 of 2 FOR SASH CUT-OUT OPTIONS and DIMENSIONS)

CAUTION:

1. AFTER ROD DISENGAGEMENT (INSTALLATION PROCEDURE STEP 2), TOOL WILL WANT TO ROTATE IN A COUNTER CLOCKWISE DIRECTION (WHEN VIEWED FROM BELOW). **DO NOT ALLOW TURNS TO BE LOST.**
2. TAKE CARE NOT TO BEND SPIRAL ROD DURING INSTALLATION.
3. BE SURE THAT ROD CLIP IS PROPERLY SEATED IN SASH CUT-OUT (SEE FIG. 5).

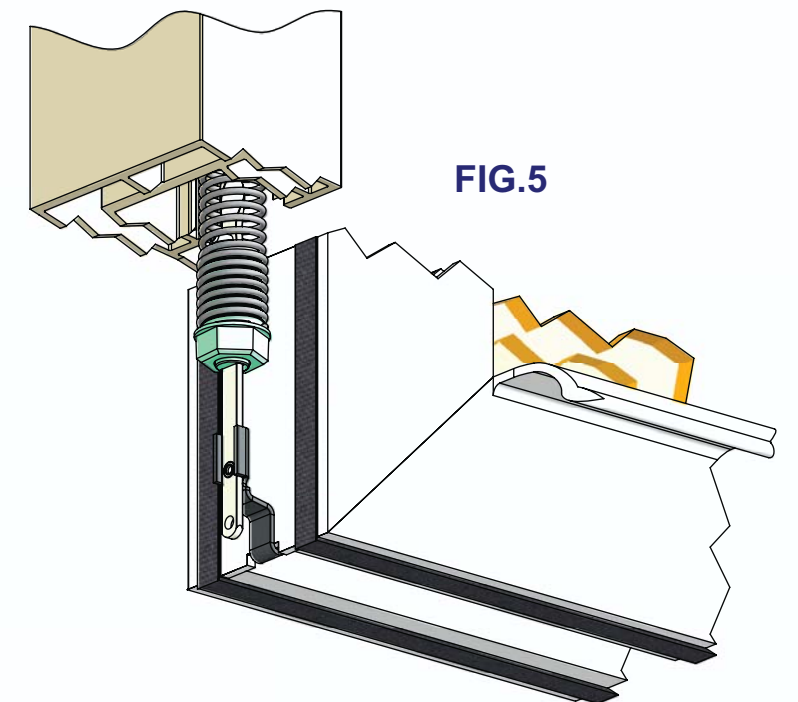
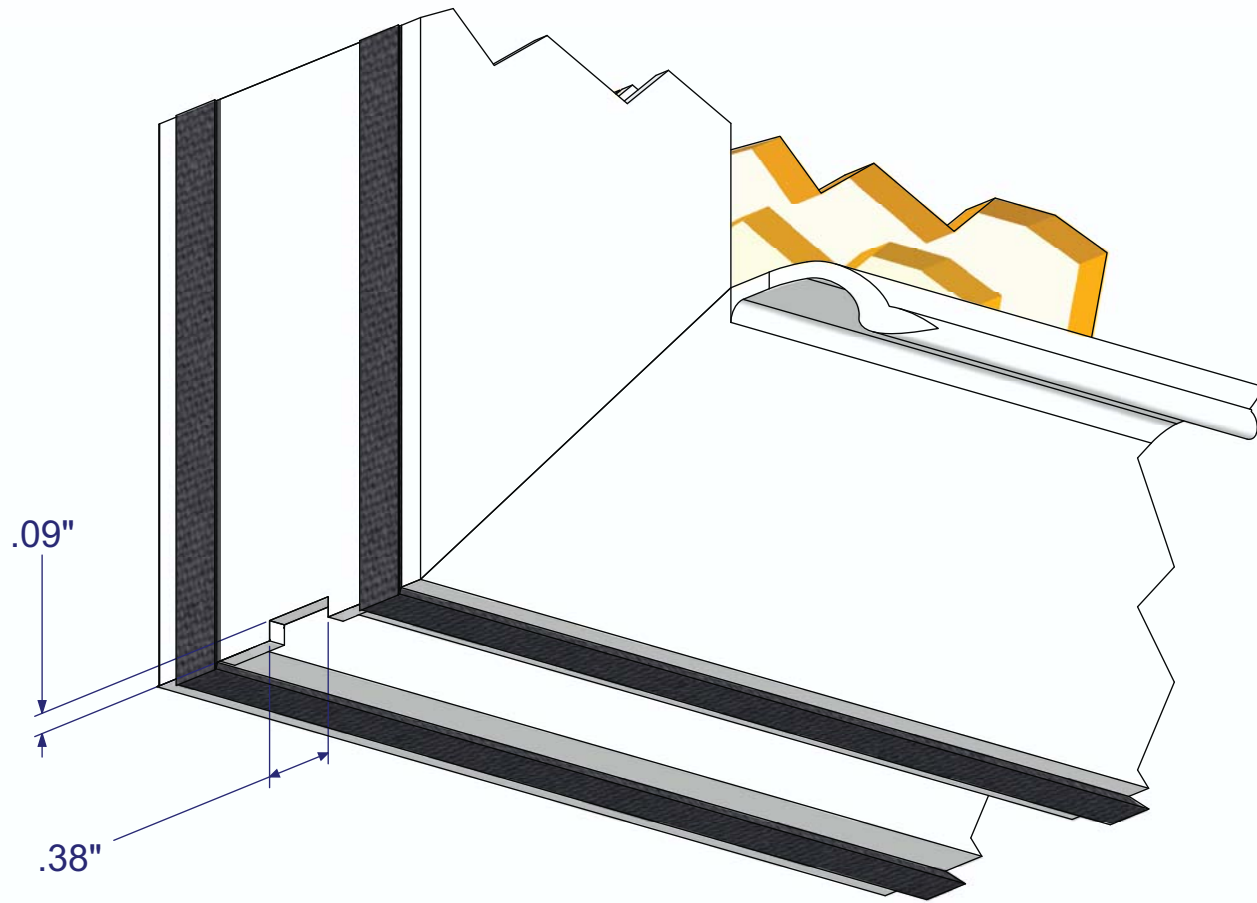
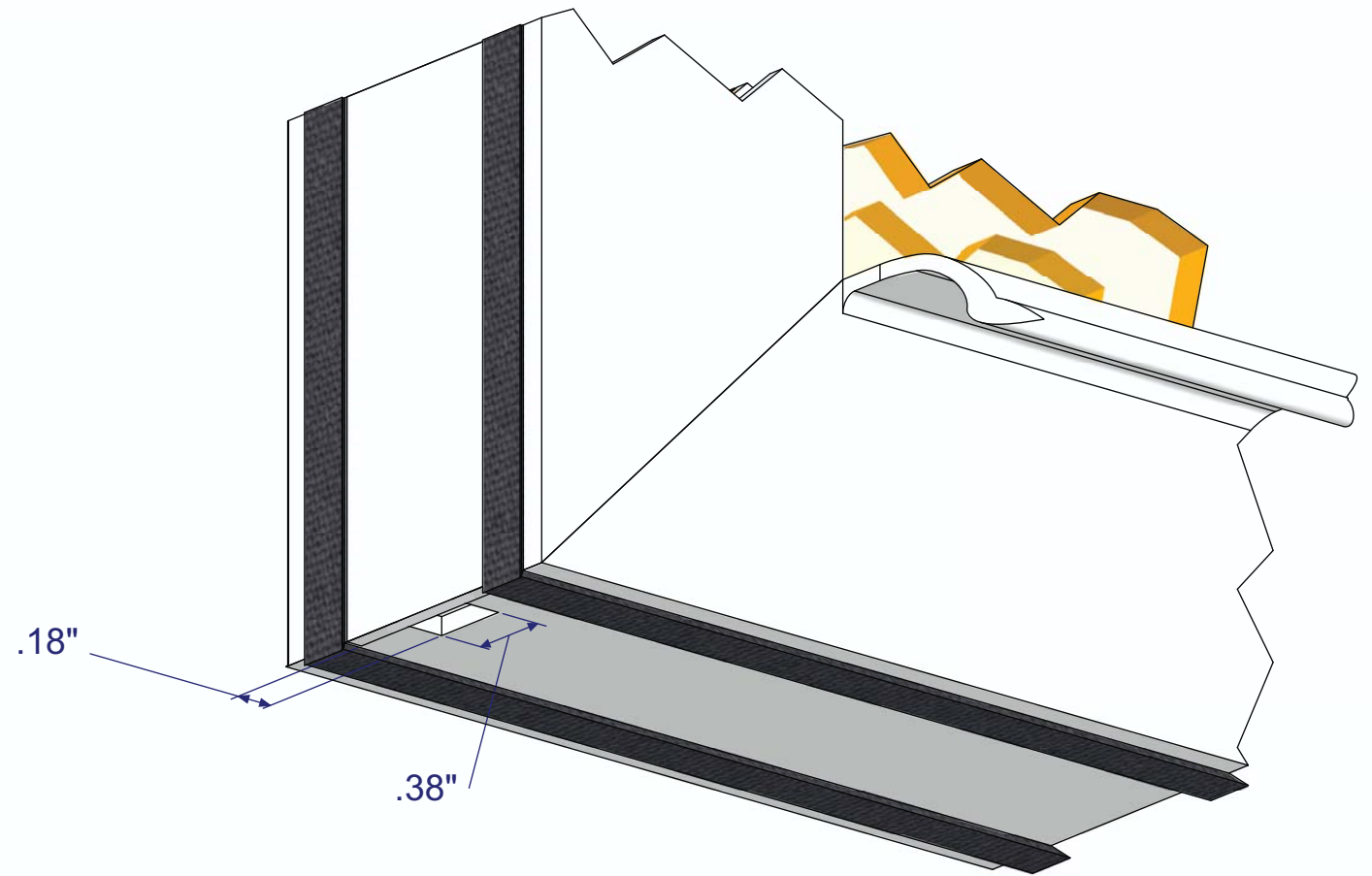


FIG.5

Ultra-Lift Clip-On Balance *(Installation / Sash Fabrication)*



SASH CUT-OUT OPTION 1



SASH CUT-OUT OPTION 2



REFERENCE - FULL VIEW OF ADJUSTMENT / TENSIONING TOOL