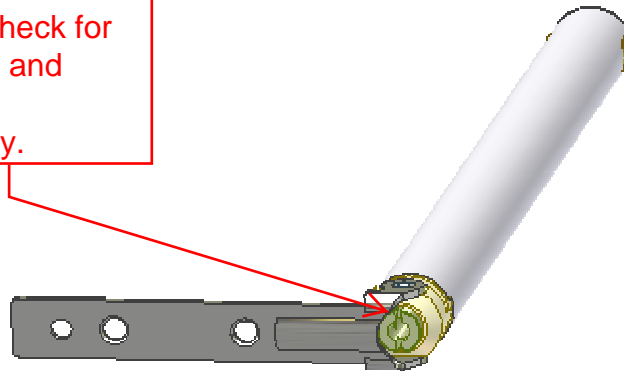


1. Weigh sash and confirm the sash weight is within the balances designed weight range.

2. Adjustment Ratchet- Turn each side counter clockwise 180 degrees until it clicks. Check for sash drift and repeat if necessary.



Ratchet Rotation Direction