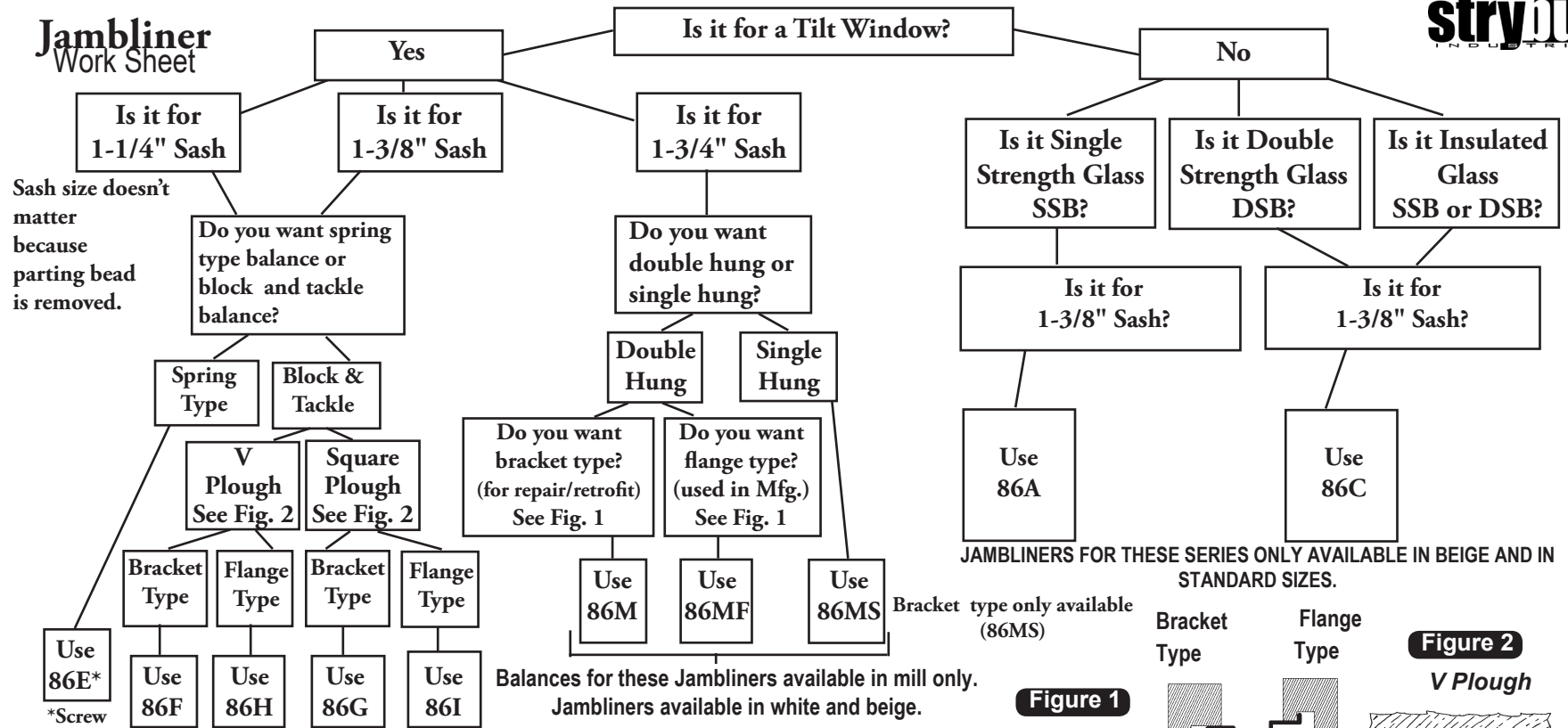




Jambliner Work Sheet



Sash size doesn't matter because parting bead is removed.

JAMBLINERS FOR THESE SERIES ONLY AVAILABLE IN BEIGE AND IN STANDARD SIZES.

Bracket type only available (86MS)

Balances for these Jambliners available in mill only. Jambliners available in white and beige.

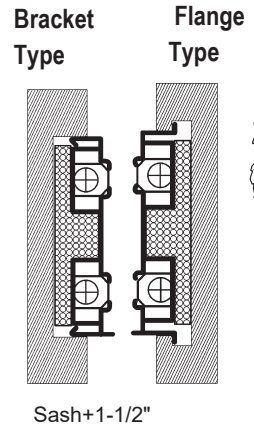


Figure 2

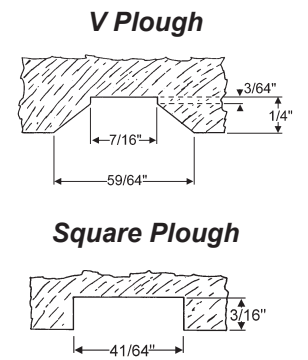


Figure 1

We suggest ordering square cut so you can make field adjustments. Add 1\"/>

Answer Following Questions

1. **SELECT One:** Balance # { 86A, 86B, 86C, 86D, 86E } Available in standard size only. { 86F, 86G, 86H, 86I, 86M, 86MF, 86MS } Available in custom size. (smallest fraction we can cut is 1/16")
2. **SELECT One:** Sill Angle - Square Cut (Recommended), 15° (Most Common), 14°, 9°, 7°, 5°, Other _____
3. **SELECT One:** Color: Beige or White (86A, 86B, 86C & 86D Available in Beige Only)
4. **SELECT One:** Color of Balance: -Mill (Standard), White, Beige (86M, 86MF & 86MS Available in Mill Only)
5. **SELECT One:** Type of Glass: - Single Strength - Double Strength - Single Strength Insulated - Double Strength Insulated - Triple Glazed
6. **SELECT One:** Bracket Type - (Primarily used in retrofit) Flange Type - (Used in custom mfg.) - See Figure 1.
7. **SELECT One:** V plough or Square plough only applies to 86F, 86H, 86G, 86I. - See Figure 2.
8. Visible Glass Height of Top Sash _____ Top Sash Weight _____
9. Visible Glass Height of Bottom Sash _____ Bottom Sash Weight _____
10. Glass Width (Top and Bottom Same) _____
11. Overall Length to Longest Point _____ Shortest Point _____

Note: Rule of thumb formula for calculating longest point is two times glass height plus 6-3/8" equals length to the longest point.

I understand this material is custom made to specifications as stated on this form and is non-returnable and non-cancelable.

Signature of authorized buyer _____

Quantity _____ Part # _____ Price _____