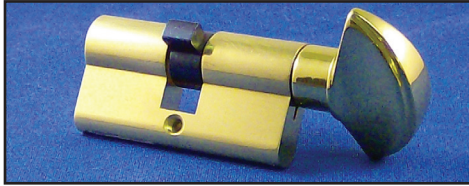


FULL CYLINDERS

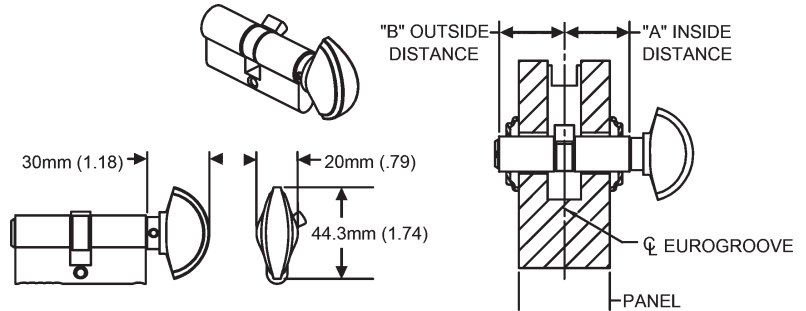
All HOPPE® Cylinders are available in Full and Thumbturn Insert Sizes. For instructions on converting cylinders from 90° to 360° see bottom of second page.



90° Full Cylinder with Crescent Knob

CYLINDER SIZING

Select cylinder size by "Inside Distance A" and "Outside Distance B" according to door thickness, Eurogroove location and the style of backplate used.



Backplate	Thickness
216N	8mm
374N	6mm
3955N	8mm
3965N	8mm
2161N	8mm

For 1-3/4" Doors or 2-1/2" Thick Doors

Inside Distance A	Outside Distance B	Typical Panel Thickness (Inches)	Antique Brass	White	Matte Black	Rustic Umber	Oil Rubbed Brass	Brass Resista®	Polished Chrome Resista®	Brushed Chrome Resista®	Satin Nickel Resista®	Antique Nickel Resista®
31.5	31.5	1-3/4"	850-3141933	850-3141976	850-3141984	850-3141968	850-3141941	850-3142637	850-3141925	850-3141909	850-3141917	850-3142629
40.5	40.5	2-1/4"	850-3745956	850-3745948	850-3738545	850-3637154	850-3637138	850-3637120	N/A	850-3637111	850-3637146	N/A

For 2-1/8" to 3" Doors

Inside Distance A	Outside Distance B	Typical Panel Thickness (Inches)	Brass Resista®	Brushed Chrome Resista®	Satin Nickel Resista®	Rustic Umber	Oil Rubbed Brass
35.5	35.5	2-1/8"	850-3636979	850-3636961	850-3636995	850-3637007	850-3636987
31.5	45.5	2-1/4"	850-3636928	850-3967719	850-3636944	850-3636952	850-3636936
45.5	31.5	2-1/4"	850-3637162	850-3967727	850-3637189	850-3637197	850-3637171
35.5	45.5	2-1/2"	850-3637023	850-3637015	850-3637040	850-3637058	850-3637031
40.5	40.5	2-1/2"	850-3637120	850-3637111	850-3637146	850-3637154	850-3637138
45.5	35.5	2-1/2"	850-3637200	N/A	850-3637226	850-3637234	850-3637218
31.5	60.5	3"	850-3442357	850-3651319	850-3442402	850-3584072	850-3442411
35.5	55.5	3"	850-3637074	850-3637066	850-3637091	850-3637103	850-3637082
45.5	45.5	3"	850-3637242	N/A	850-3637269	850-3637277	850-3637251
60.5	31.5	3"	850-3442429	850-3651301	850-3442470	850-3570367	850-3442488

Philadelphia

Miami

Reno

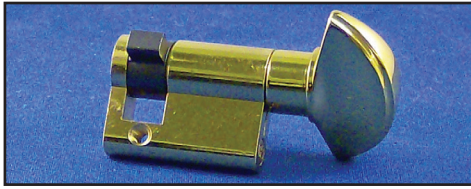
PHILADELPHIA: 2006 Elmwood Avenue • Sharon Hill, PA 19079-1019 • 800-352-0800 • Sales Fax: 610-534-3202

MIAMI: 500 West 84th Street • Hialeah, FL 33014 • 800-780-5051 • Fax: 305-557-5239

STRYBUC.COM | CSERVICE@STRYBUC.COM

THUMBTURN CYLINDERS

All HOPPE® Cylinders are available in Full and Thumbturn Insert Sizes. For instructions on converting cylinders from 90° to 360° see bottom of page.

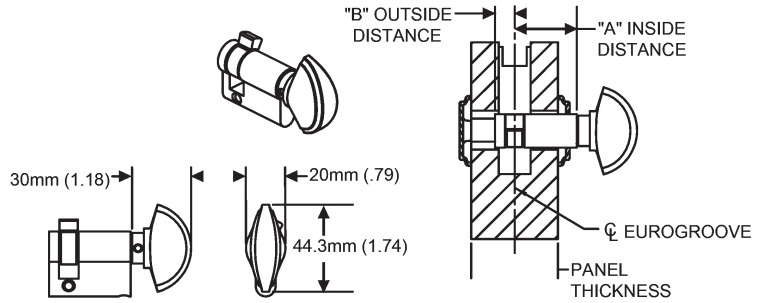


90° Thumbturn Insert Cylinder w/Crescent Knob

CYLINDER SIZING

Select cylinder size by "Inside Distance A" and "Outside Distance B" according to door thickness, Eurogroove location and the style of backplate used.

Backplate	Thickness
216N	8mm
374N	6mm
3955N	8mm
3965N	8mm
2161N	8mm



For 1-3/4" Doors or 2-1/2" Thick Doors

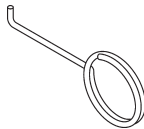
Inside Distance A	Outside Distance B	Typical Panel Thickness (Inches)	Antique Brass	White	Matte Black	Rustic Umber	Oil Rubbed Brass	Brass Resista®	Polished Chrome Resista®	Brushed Chrome Resista®	Satin Nickel Resista®	Antique Nickel Resista®
31.5	10	1-3/4"	850-3141853	850-3141888	850-3141896	850-3141870	850-3141861	850-3142611	850-3141845	850-3141829	850-3141837	850-3142565
40.5	10	2-1/4"	850-3745972	850-3745964	850-3738553	850-3637373	850-3637357	850-3637349	N/A	850-3637331	850-3637365	N/A

For 2-1/8" or Thicker Doors

Inside Distance A	Outside Distance B	Typical Panel Thickness (Inches)	Brass Resista®	Brushed Chrome Resista®	Satin Nickel Resista®	Rustic Umber	Oil Rubbed Brass
35.5	10	2-1/8"	850-3637293	850-3637285	850-3637314	850-3637322	850-3637306
40.5	10	2-1/2"	850-3637349	850-3637331	850-3637365	850-3637373	850-3637357
45.5	10	3"	850-3637381	N/A	850-3637402	850-3637411	850-3637390
60.5	10	3"	850-3442496	850-3651298	850-3442541	850-3650551	850-3442550

Profile Cylinder 90° to 360° Conversion Instructions*

Recommended Tools and Accessories



90° Release Tool (provided)

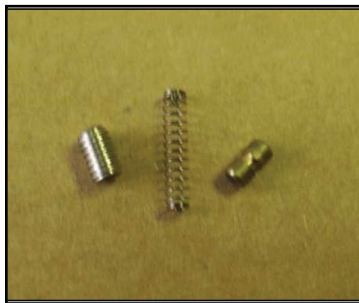


2 mm or 1/4" Hex Wrench (provided)

1. Remove the set screw as shown using the hex wrench



2. Dump out the spring and pin after removing the set screw



3. Use the 90 degree release tool if the pin does not fall freely from the cylinder body in step 2 as shown.



4. Recycle the set screw, spring, pin and 90 degree release tool.



* For the new non-logo cylinders. Does not work on CES cylinders.

Philadelphia

Miami

Reno

PHILADELPHIA: 2006 Elmwood Avenue • Sharon Hill, PA 19079-1019 • 800-352-0800 • Sales Fax: 610-534-3202

MIAMI: 500 West 84th Street • Hialeah, FL 33014 • 800-780-5051 • Fax: 305-557-5239

STRYBUC.COM | CSERVICE@STRYBUC.COM