

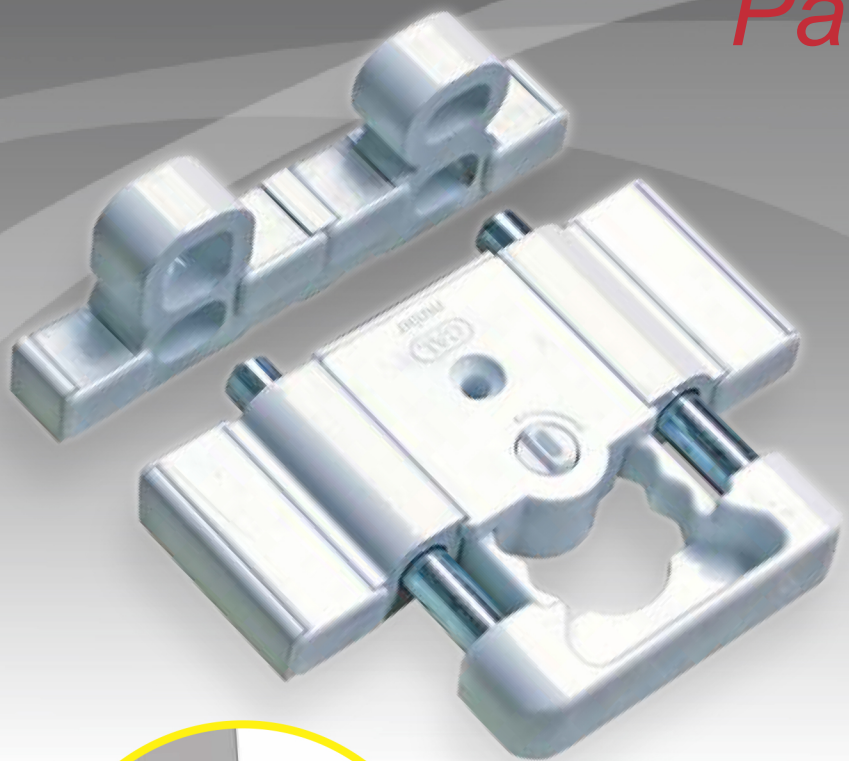
NEW!

COBRA

**DOUBLE-DEAD BOLT SECURITY FOR
OPENING DOORS AND WINDOWS**

strybuc
INDUSTRIES
WINDOW AND DOOR HARDWARE

Part #: 19-1522W



- ✓ Easy to install
- ✓ Easy to use
- ✓ Original design
- ✓ Also ideal for opening shutters

**Unique resistance
to crowbar**



HALF
OPENED



IDEAL FOR
SHUTTERS



HALF OPEN
ON THE BOTTOM
SIDE OF FRAME



ON THE TOP



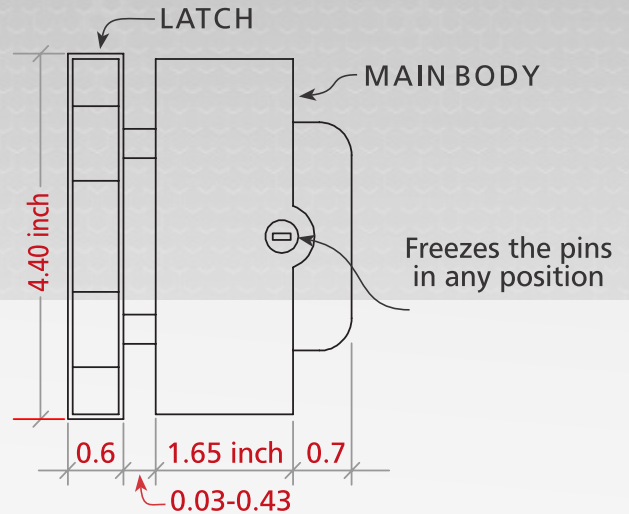
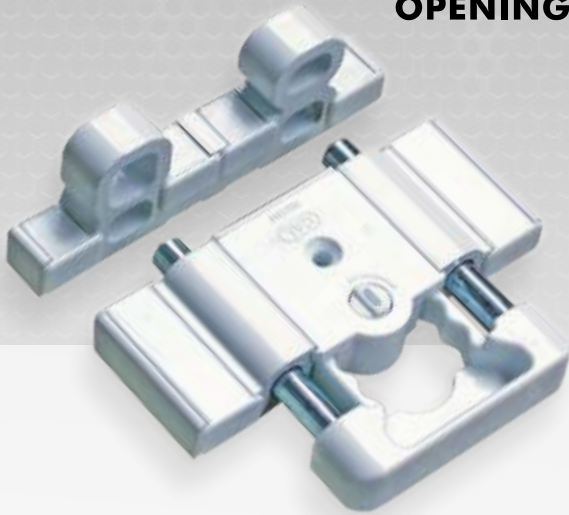
ON THE SIDE
OF THE HINGES

PATENT PENDING
ISO: 9001:2015

800-352-0800 | www.strybuc.com

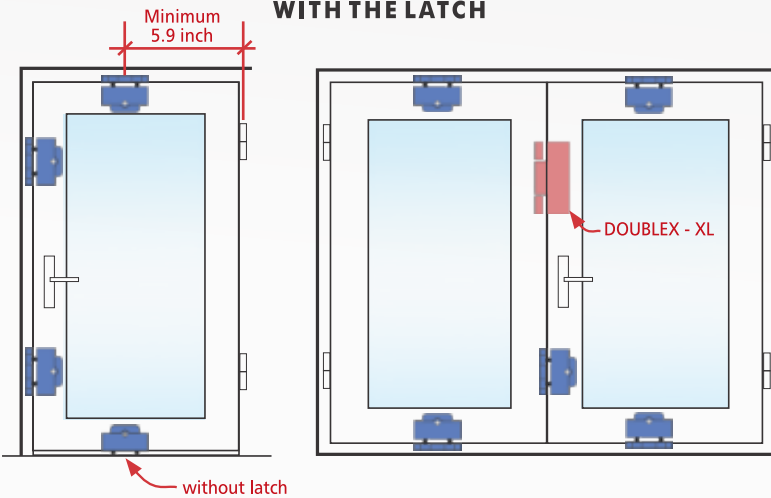
COBRA

DOUBLE-DEAD BOLT SECURITY FOR OPENING DOORS AND WINDOWS

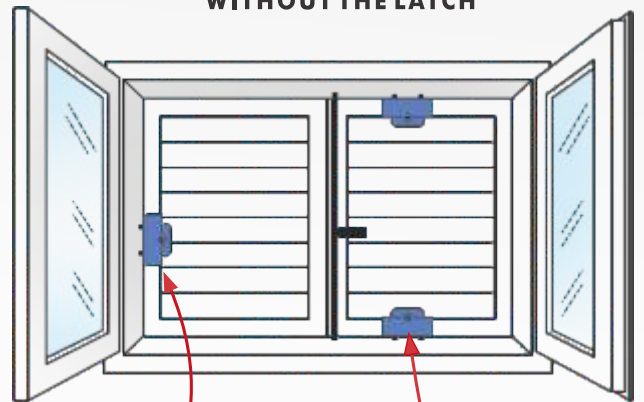


PLACES WE CAN INSTALL IT

WITH THE LATCH



WITHOUT THE LATCH



Without latch on the side of the hinges

Without latch on the floor

STANDARD PACKAGE INCLUDES THE LATCH AND PLASTIC INSERTS

Inserts behind the latch

HOLE COVERING IN CASE WHERE THE LATCH IS NOT NEEDED

Screws are included
We use a 0.11 inches drill for aluminum, wood and 0.13 inches for iron.

Safety in half-open position.
When we place it on the top or bottom side

All plastic parts are made of polyamide that is resistant to time and weather conditions