



strybuc

INDUSTRIES

WINDOW AND DOOR HARDWARE

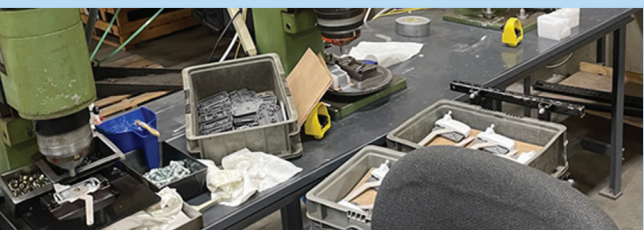
Ellipse

With our product acquisition of the Ellipse Window Operator product-line, we have opened a 5th U.S. location.

Our new facility is located in Owatonna, MN and is the home-base of our tooling acquisition including all components, machinery, and materials for AmesburyTruth's Ellipse Window Operator series. With this new operation in place, we are able to fabricate most window operator finishes and versions of this product-line.

The Ellipse Window Operator will continue to be made with the highest quality materials and will provide a full 90-degree window opening.

Continued to be made in the U.S.A., these operators also disconnect easily from the sash and its unique design is complemented with its electrostatically applied, durable coatings. With this processed engineering, these operators become resistant to scratching, chipping, and corrosion.



For more information, contact your Account Manager at

800-352-0800

www.strybuc.com

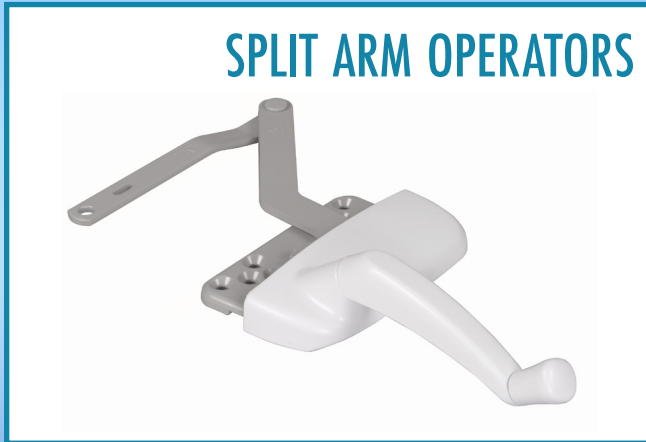
cservice@strybuc.com



AmesburyTruth's Ellipse Style operators offer function and form with their stylish design. Available in Straight Arm, Split Arm and Awning variations. Each come in various arm lengths and we can reproduce most of the original finishes.



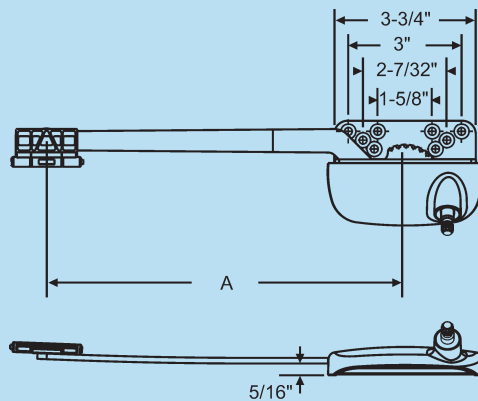
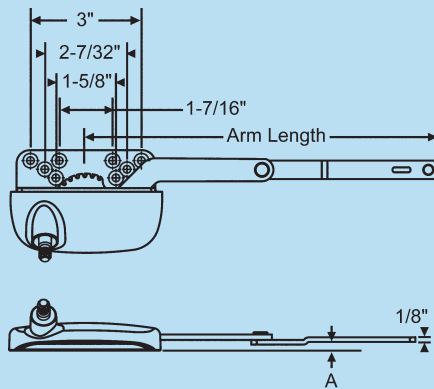
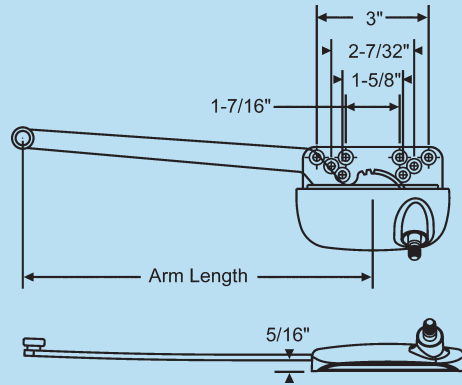
SINGLE ARM OPERATORS



SPLIT ARM OPERATORS



AWNING OPERATORS



SINGLE ARM OPERATORS

Strybuc Part #	Truth Part #	Arm Length	Hand	Finish
36-213-3E	15.39	6"	Shown	White
36-211-3E	15.39	6"	Opposite	White
36-213-1E	15.39	6"	Shown	Bronze
36-211-1E	15.39	6"	Opposite	Bronze
36-216-3E	15.56	7-1/2"	Shown	White
36-215-3E	15.56	7-1/2"	Opposite	White
36-216-1E	15.56	7-1/2"	Shown	Bronze
36-215-1E	15.56	7-1/2"	Opposite	Bronze
36-128-3E	15.31	9-1/2"	Shown	White
36-129-3E	15.31	9-1/2"	Opposite	White
36-128-1E	15.31	9-1/2"	Shown	Bronze
36-129-1E	15.31	9-1/2"	Opposite	Bronze
36-128-87E	15.31	9-1/2"	Shown	Gold
36-129-87E	15.31	9-1/2"	Opposite	Gold
36-152-3E	15.32	13-1/2"	Shown	White
36-154-3E	15.32	13-1/2"	Opposite	White
36-152-1E	15.32	13-1/2"	Shown	Bronze
36-154-1E	15.32	13-1/2"	Opposite	Bronze
36-152-87E	15.32	13-1/2"	Shown	Gold
36-154-87E	15.32	13-1/2"	Opposite	Gold

SPLIT ARM OPERATORS

Strybuc Part #	Truth Part #	Arm Length	A	Hand	Finish
36-410-3E	15.26	9"	15/64"	Shown	White
36-411-3E	15.26	9"	15/64"	Opposite	White
36-391-3E	15.30	9-5/8"	7/16"	Shown	White
36-390-3E	15.30	9-5/8"	7/16"	Opposite	White
36-391-87E	15.30	9-5/8"	7/16"	Shown	Gold (New)
36-390-87E	15.30	9-5/8"	7/16"	Opposite	Gold (New)
36-390-2E	15.30	9-5/8"	7/16"	Opposite	Gold
36-205-1E	15.18	9-1/2"	7/16"	Shown	Bronze
36-206-1E	15.18	9-1/2"	7/16"	Opposite	Bronze
36-205-3E	15.18	9-1/2"	7/16"	Shown	White
36-206-3E	15.18	9-1/2"	7/16"	Opposite	White
36-205-87E	15.18	9-1/2"	7/16"	Shown	Gold (New)
36-206-87E	15.18	9-1/2"	7/16"	Opposite	Gold (New)

AWNING OPERATORS

Part #	Truth Part #	A
36-301-3E	15.60	9-1/2"
36-337-3E	15.71	13-1/2"


NEW STATE
WINDOW AND DOOR HARDWARE
800-352-0800
www.strybuc.com