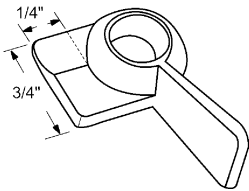
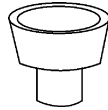


SWEEP LOCKS

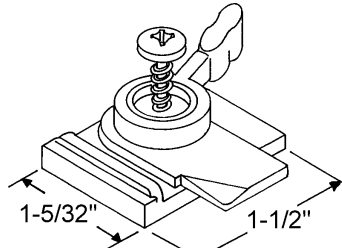
SINGLE HOLE



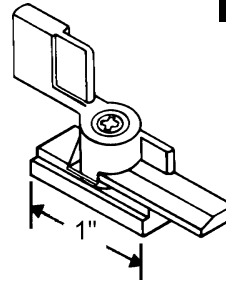
50-624RH (Shown)
50-624LH (Opposite)
Chrome



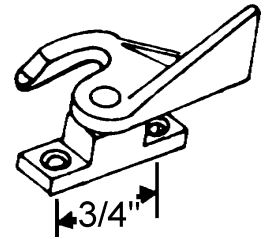
50-625
Plastic
Bushing



900-15699LL Opposite
900-15699RL Shown
Plastic
Thermalgard



50-715
Die Cast
Crossly



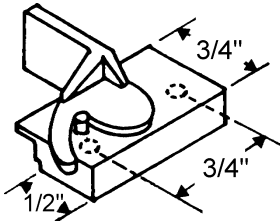
50-610
Die Cast
Portalume

3/4"

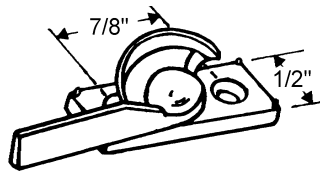
7/8"

1"

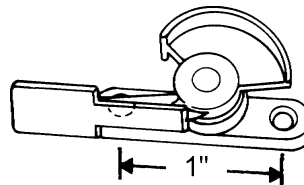
1-1/4"



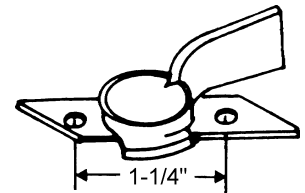
50-704 Opposite
50-705 Shown
Die Cast
Crossly



50-637 Shown, Die Cast
50-638 Opposite, Die Cast
50-637BR Shown, Bronze



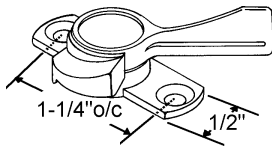
50-711
Die Cast



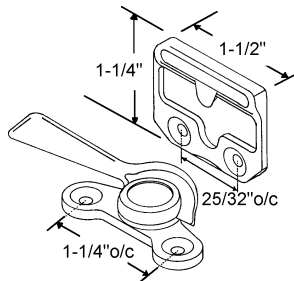
50-678
Die Cast

1-1/4"

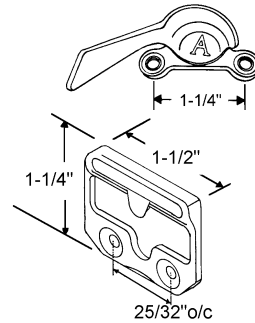
Latch & Keeper Sets



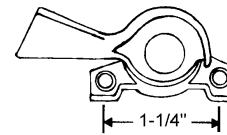
50-783B
Die Cast
Rusco



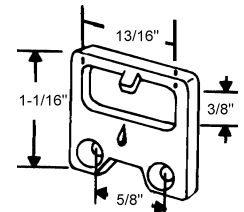
50-733
Die Cast
Alwinseal



50-718A White Bronze
Alwinseal



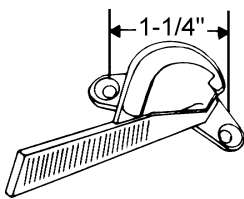
50-651
Latch Only
White Bronze



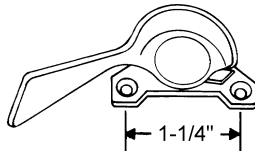
50-609WB
Keeper Only
White Bronze

50-608A Latch Set
White Bronze

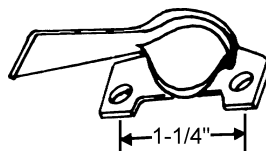
1-1/4"



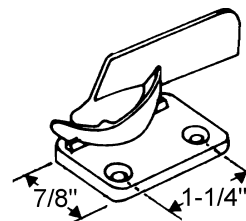
50-641
Die Cast



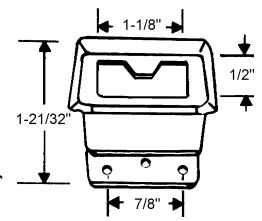
50-671
White Bronze



50-651
White Bronze



50-645
Die Cast
Use with **50-646**
Seasonall

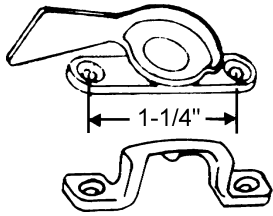


50-646

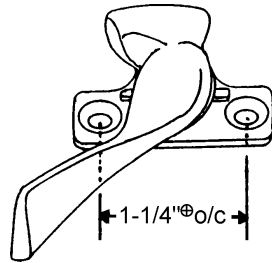
SWEEP LOCKS

1-1/4"

Latch & Keeper Set

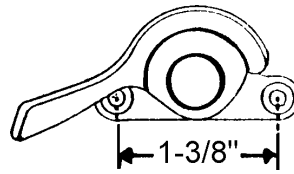


50-655A Lock & Keeper
50-655X Lock Only
50-655K Keeper Only
White Bronze



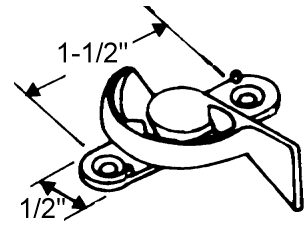
900-7267
White Bronze

1-3/8"



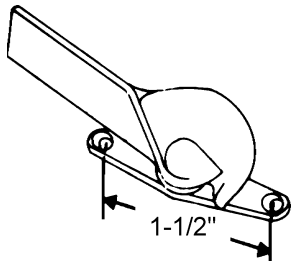
900-8503
White Bronze

1-1/2"

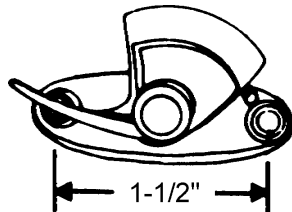


50-607
Die Cast

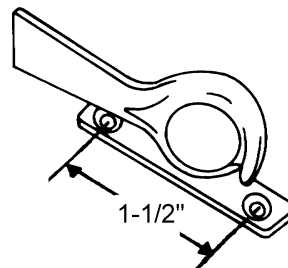
1-1/2"



50-614
Die Cast

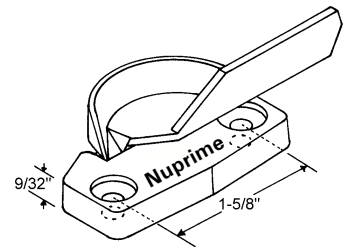


50-627
Die Cast
Keller



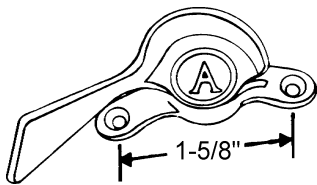
50-654
White Bronze
50-662
Die Cast

1-5/8"

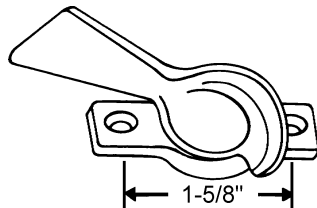


900-10803LH Shown
900-10803RH Opposite
Die Cast
Seasonall

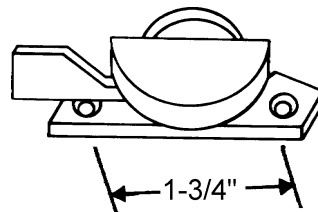
1-5/8"



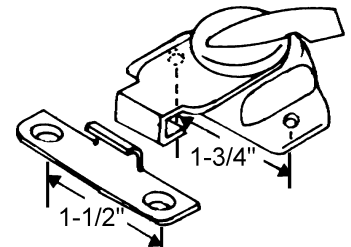
50-710
White Bronze
Alwinseal



50-689
White Bronze

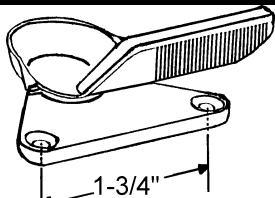


50-676
Die Cast



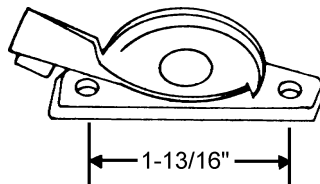
50-658A Chrome
50-658B Brass

1-3/4"



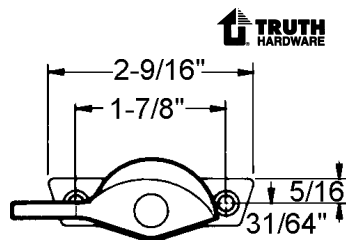
50-612-30R Shown
50-612-30L Opposite
Antique Copper
Die Cast
Fiberlux/Remington

1-13/16"

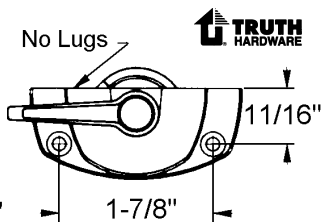


50-681
Die Cast, Black
Croft

1-7/8"



50-360-1 Lock
50-361-1 Keeper
Die Cast



50-369-3 White
Die Cast

Use with Keepers 50-374-color
& 50-372-color

TOLL FREE 800-352-0800
2003, SBI®

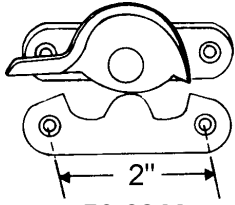
strybuc

65

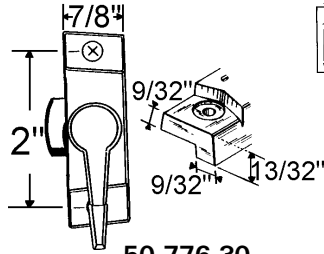
Return to Table of Contents

SWEEP LOCKS

2"

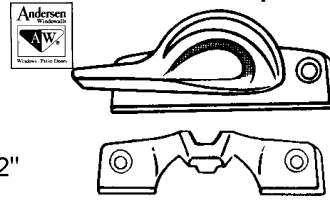


50-634A
Die Cast Brass Finish
50-748
Solid Brass



50-776-30
Antique Copper
Die Cast
Acro/Slocomb

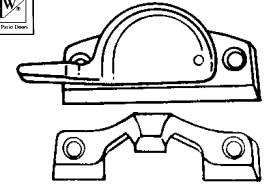
Lock & Keeper



750-1630020 Stone
750-1630024 White Not Available
Use **750-1630020**
Die Cast
Andersen

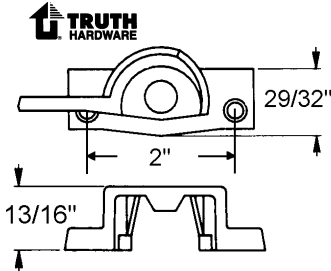


Lock & Keeper



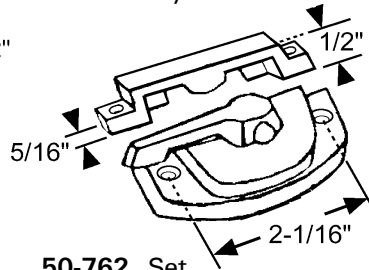
750-1630108
Stone
Die Cast
Andersen

2"



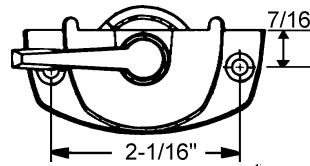
50-356-1 Lock
50-357-1 Keeper
50-358-1 Beveled Keeper
Die Cast Bronze

Push Button Security Lock & Keeper No Key Needed



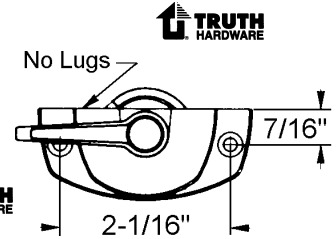
50-762 Set
50-886 Lock w/o button
50-887 Keeper for 50-886
Die Cast White

2-1/16"



50-364-1 Bronze
50-364-3 White
50-364-5 Brass
50-364-8 Chestnut Bronze
50-364-9 Beige
Die Cast

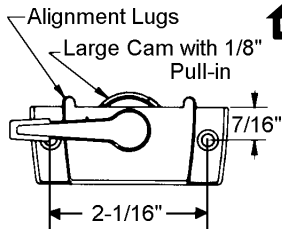
Use with Keepers 50-379-color,
50-372-color & 50-373-color



50-365-1 Bronze
50-365-3 White
Die Cast

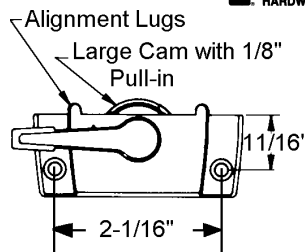
Use with Keepers 50-374-color
& 50-372-color

2-1/16"



50-380-3 White
50-380-8 Chestnut Bronze
50-380-9 Beige
50-380-14 Coca Brown

Use with Keepers 50-391-color, 50-392-color
& 50-393-color

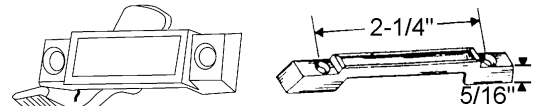


50-383-3 White
50-383-4 Coppertone
50-383-9 Beige

Use with Keepers 50-391-color, 50-392-color
& 50-393-color



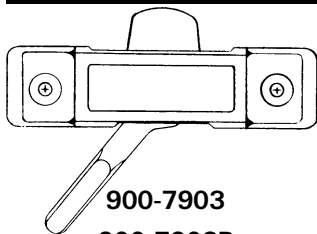
2-1/4"



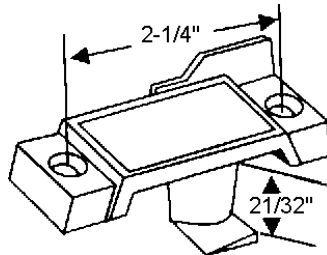
A = Latch Tongue Projection

- 50-603A** Chrome, Lock & Keeper A = 7/16"
- 50-603BA** Black, Lock & Keeper A = 7/16"
- 50-603WA** White, Lock & Keeper A = 7/16"
- 50-603B** Black (Sweep Lock Only) A = 7/16"
- 50-603BE** Beige (Sweep Lock Only) A = 7/16"
- 50-603BZ** Bronze (Sweep Lock Only) A = 7/16"
- 50-603W** White (Sweep Lock Only) A = 7/16"
- 50-602B** Black (Keeper Only)
- 50-809** Black Lock (Sweep Lock Only) A = 5/8"

2-1/4"

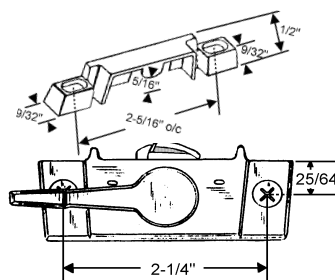


900-7903
900-7903P
w/Pole Ring
White Bronze
Seasonal

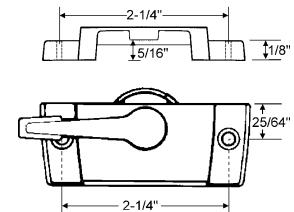


50-764 Bronze
50-765 White
Acorn

Lock & Keeper Sets

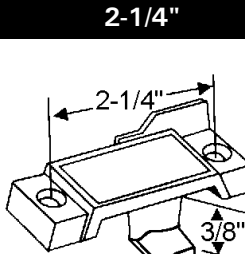
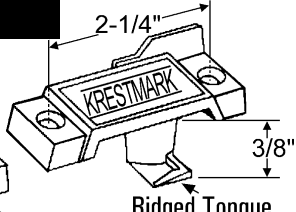
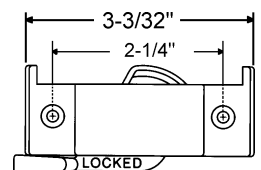
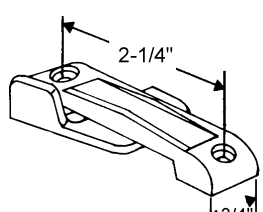
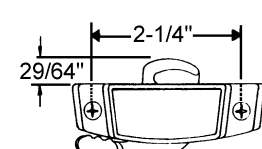


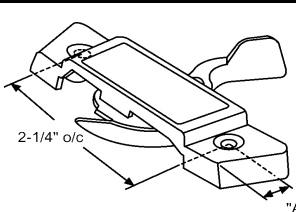
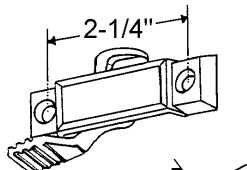
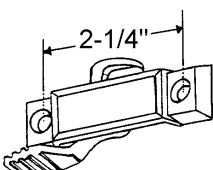
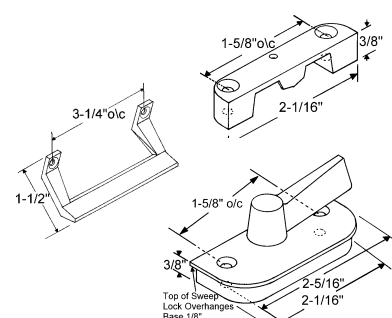
50-827-70 Dk. Brown
50-827-46 White

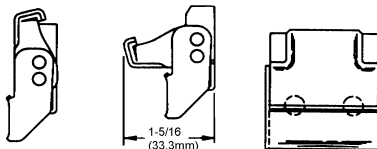
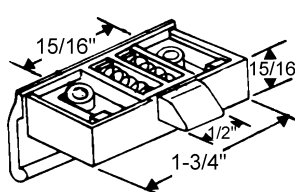
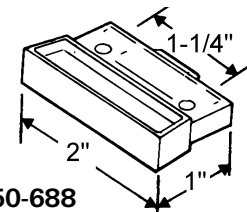
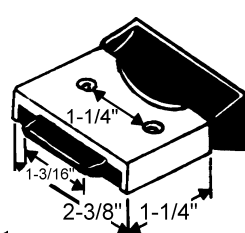


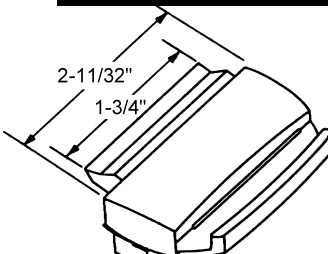
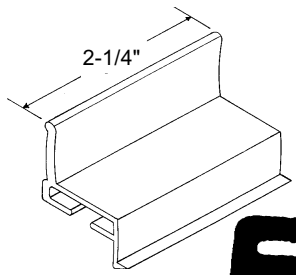
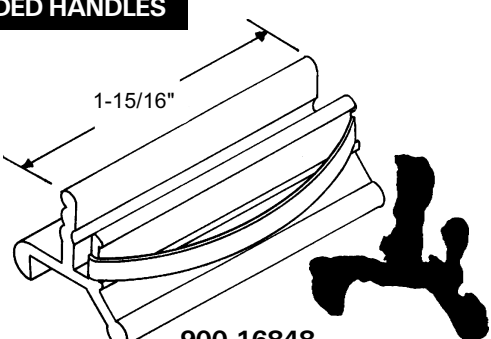
50-418-10 Black
50-418-46 White

SWEEP LOCKS

 <p>2-1/4"</p> <p>2-1/4"</p> <p>3/8"</p> <p>Smooth Tongue 900-10798 Black Die Cast</p>	 <p>2-1/4"</p> <p>3/8"</p> <p>Ridged Tongue</p> <p>900-10798KB Black Die Cast Krestmark</p>	 <p>3-3/32"</p> <p>2-1/4"</p> <p>900-19656 White 900-19656B Black Die Cast</p>	 <p>2-1/4"</p> <p>3/4"</p> <p>50-657 Mill 50-657B Black Die Cast</p>	 <p>2-1/4"</p> <p>29/64"</p> <p>900-11005B Black Die Cast</p>
---	--	---	--	---

 <p>2-1/4" o/c</p> <p>"A"</p> <p>900-19112LH Black (Shown) 25/64" 900-19112RH Black (Opposite) 25/64" 900-19112RHW White (RH Only) 25/64" 50-971-10RH Black (RH Only) 1/2" 50-971-3RH White (RH Only) 1/2" Die Cast</p>	<p>Sweep Lock & Keeper</p>  <p>2-1/4"</p> <p>13/32"</p> <p>2-1/4"</p> <p>"A"</p> <p>50-601A Chrome 50-601WA White 50-601BA Black Die Cast</p>	<p>Sweep Lock Only</p>  <p>2-1/4"</p> <p>50-601-47 DK Bronze Die Cast</p>	 <p>1-5/8" o/c</p> <p>3/8"</p> <p>2-1/16"</p> <p>3-1/4" o/c</p> <p>1-1/2"</p> <p>1-5/8" o/c</p> <p>3/8"</p> <p>2-5/16"</p> <p>2-1/16"</p> <p>Top of Sweep Lock Overhangs Base 1/8"</p> <p>50-801 Set Available in Polybagged Sets, containing: two 50-801L Sash Lifts, two 50-801X Sweep Locks, two 50-801K Keeper & Screws Bright Gold Finish, Die Cast, Seasonal</p>
---	---	---	---

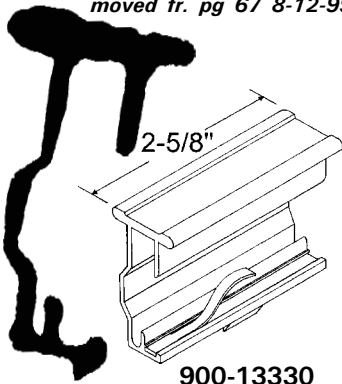
 <p>CLOSED POSITION</p> <p>OPEN POSITION</p> <p>1-5/16" (33.3mm)</p>	<p>SPRING TYPE LATCHES By Hole Spacing</p>  <p>15/16"</p> <p>15/16"</p> <p>1-1/2"</p> <p>1-3/4"</p> <p>50-600A</p>	 <p>1-1/4"</p> <p>2"</p> <p>1"</p> <p>50-688</p>	 <p>1-1/4"</p> <p>1-3/16"</p> <p>2-3/8"</p> <p>1-1/4"</p> <p>50-648A Chrome & Black 50-648WA Chrome & White Seasonal</p>
<p>50-355-1 Bronze Toggle 50-355-10 Black 50-355-2 Gold 50-355-3 White</p>	<p>50-398-1 Bronze Keeper 50-398-10 Black 50-398-2 Gold 50-398-3 White</p>	<p>Truth</p>	

<p>SPRING TYPE LATCH</p>  <p>2-11/32"</p> <p>1-3/4"</p> <p>900-25 Chrome 900-26 Bronze Laquer</p>	<p>EXTRUDED HANDLES</p>  <p>2-1/4"</p> <p>900-9557 Acorn</p>	 <p>1-15/16"</p> <p>900-16848</p>
---	---	---

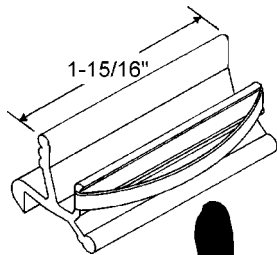
TOLL FREE 800-352-0800
2003, SBI®

EXTRUDED HANDLES

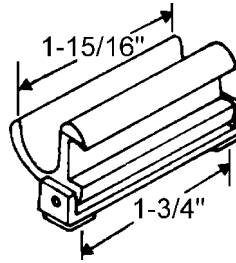
moved fr. pg 67 8-12-99



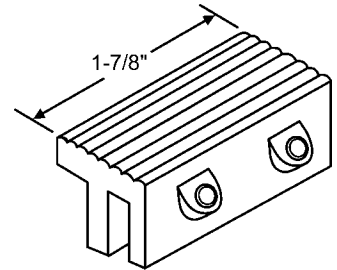
900-13330
Howard



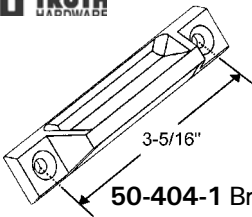
900-11756



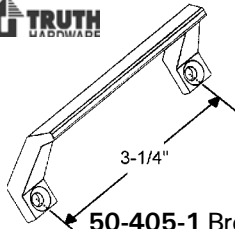
50-626
Keller



900-17508
Black

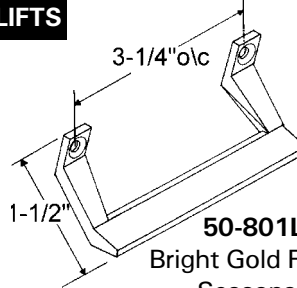


50-404-1 Bronze
50-404-3 White
Die Cast

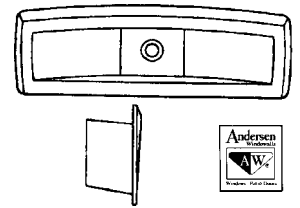


50-405-1 Bronze
50-405-3 White
Die Cast

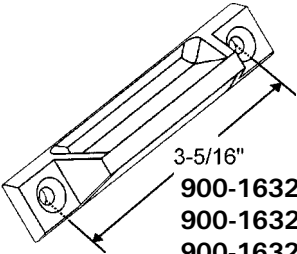
LIFTS



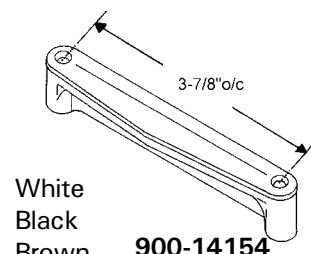
50-801L
Bright Gold Finish
Seasonall



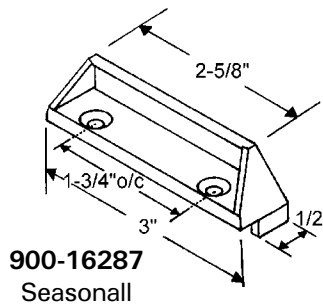
750-1630421 White
750-1630409 Stone



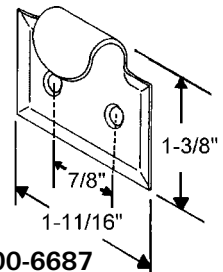
900-16321
900-16321BL
900-16321BR
900-16321BG
Plastic



900-14154
Pella



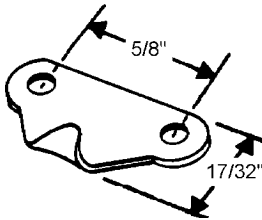
900-16287
Seasonall



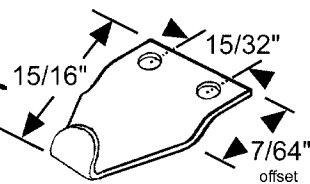
900-6687
Brass Finish

SINGLE & DOUBLE HUNG KEEPERS

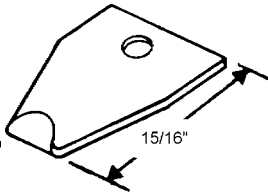
Stamped Steel



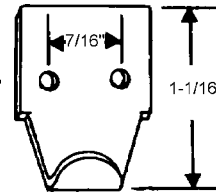
50-663



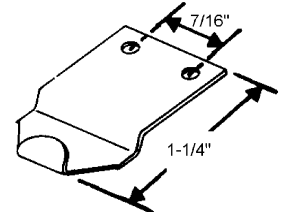
50-700



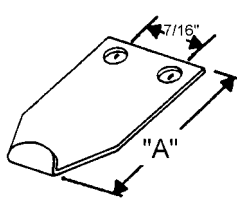
50-712



50-661

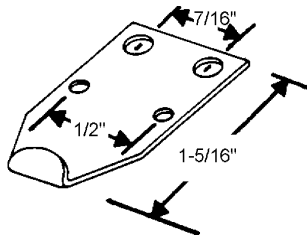


50-691

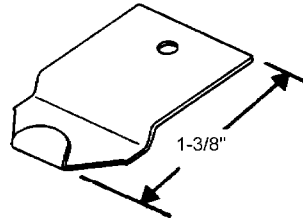


"A" Dimension

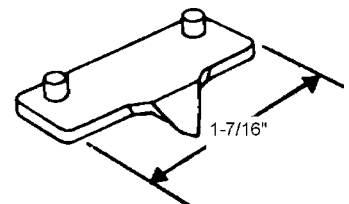
50-697 1-5/16"
900-9744 1-9/16"



50-694



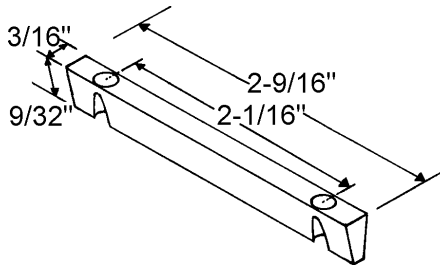
50-692



50-623
Die Cast

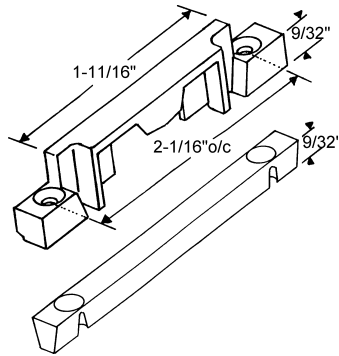
SINGLE & DOUBLE HUNG KEEPERS

KEEPER SHIM

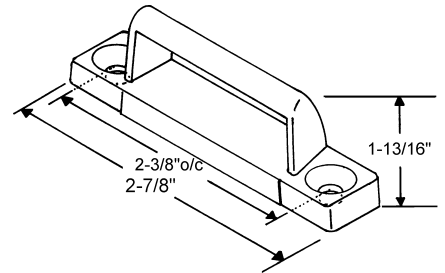


900-20103B Black
900-20103W White
900-20103BE Beige

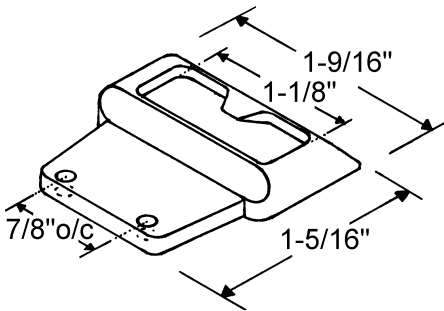
KEEPER WITH SHIM



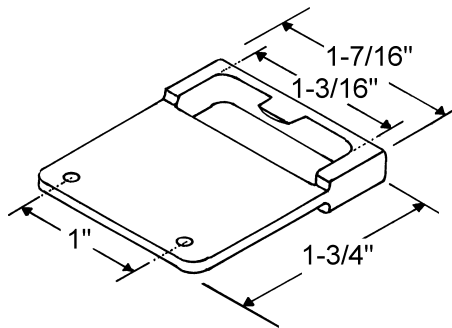
900-20056W White
900-20056 Beige



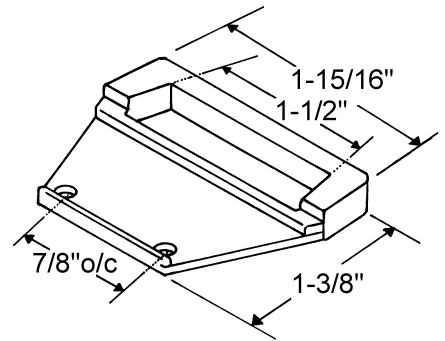
50-802
 Satin Aluminum Finish



50-800
 Satin Aluminum Finish

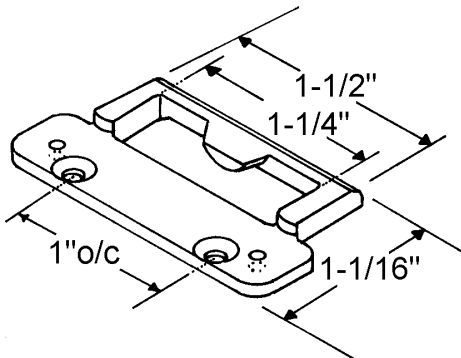


900-20075
 White

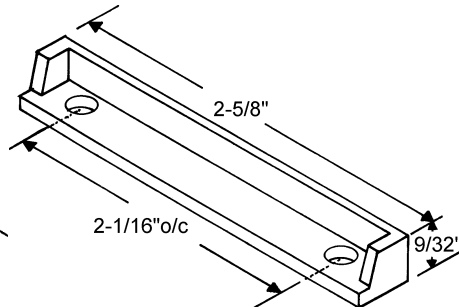


900-20101
 Chrome Finish

KEEPER SHIM

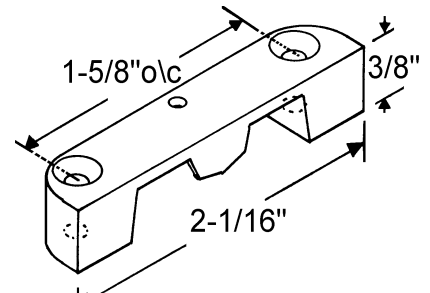


900-20118 White
900-20118BG Beige
 Rollyson



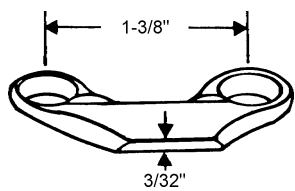
900-20045W White
900-20045 Beige

KEEPER

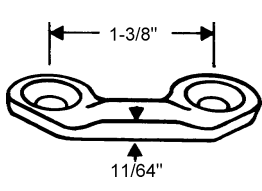


50-801K
 Bright Gold Finish
 50-801 set, see page 67.

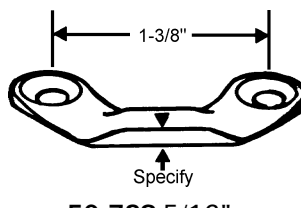
CASEMENT & PROJECT IN & OUT KEEPERS



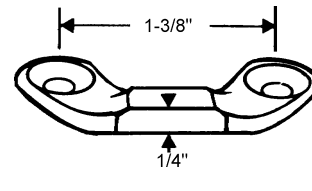
50-665
White Bronze



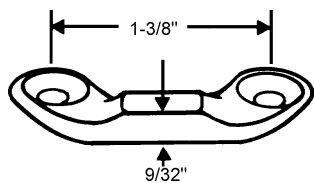
50-667
White Bronze



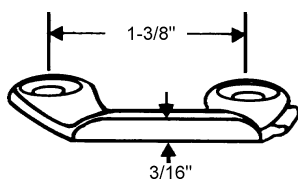
50-728 5/16"
50-674 3/16"
White Bronze



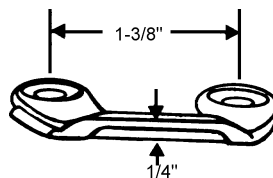
50-666
Dark Bronze



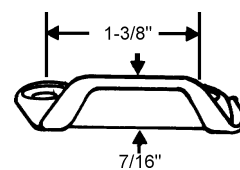
50-683
White Bronze



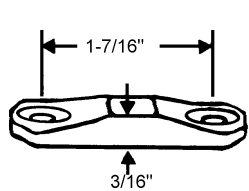
50-668
White Bronze



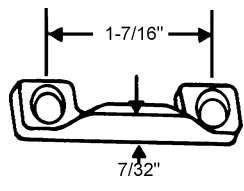
50-670
White Bronze



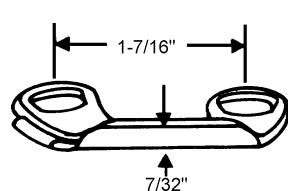
50-664
White Bronze



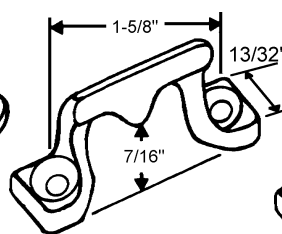
50-695
White Bronze



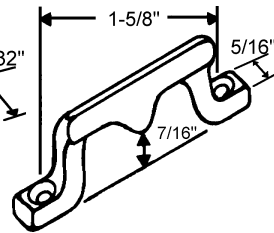
50-693
White Bronze



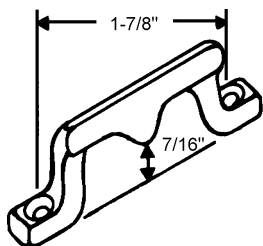
50-684
White Bronze



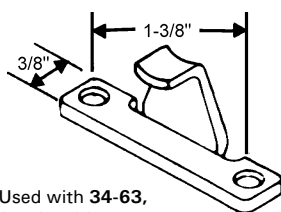
50-690
White Bronze



900-12561
White Bronze

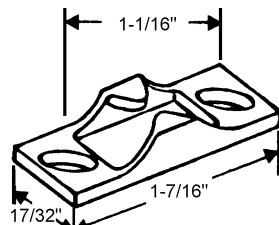


50-724
White Bronze

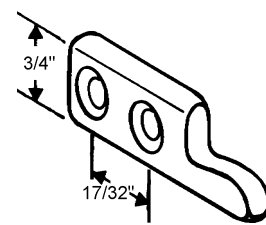


Used with 34-63,
64, 65, 66

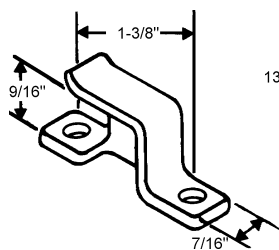
50-644
Steel



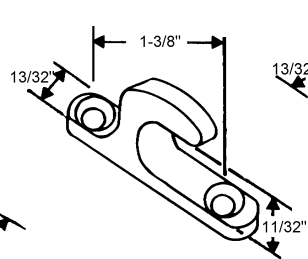
50-701
Die Cast



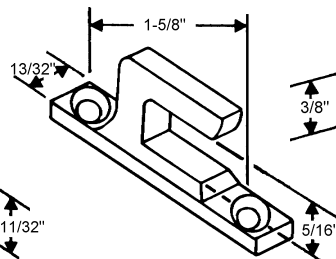
50-717
Brass



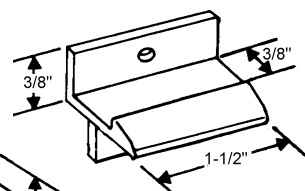
50-672
Dark Bronze



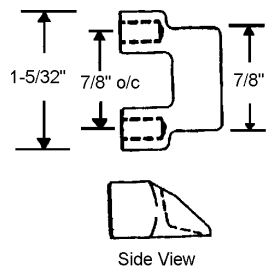
50-675
Dark Bronze



50-714
Dark Bronze



50-621
Aluminum

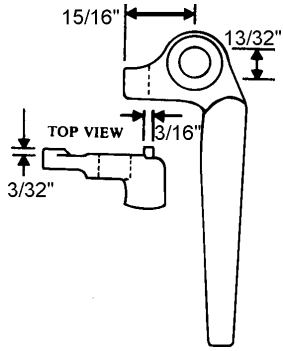


900-19680
White Bronze

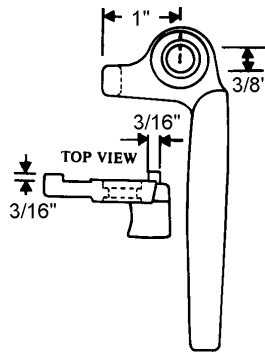
Side View

LOCKING HANDLES

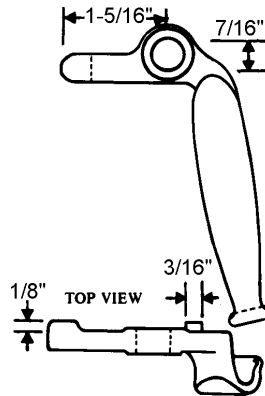
ONE HOLE CAM HANDLES



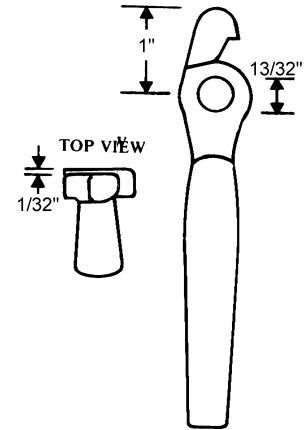
32-208 As Shown
32-207 Opposite
Dark Bronze Finish



32-254 As Shown
32-255 Opposite
Dark Bronze Finish



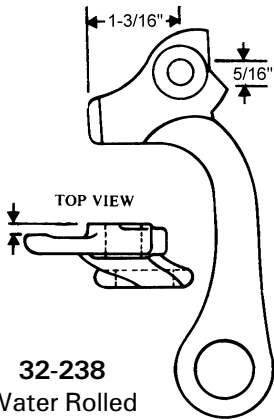
32-230 As Shown
32-231 Opposite
Dark Bronze Finish



32-240
Dark Bronze Finish

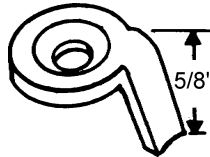
ONE HOLE CAM HANDLES

MOUNTING HARDWARE FOR SIMPLEX HANDLES



32-238
Water Rolled
Finish
(Copper Color)

Clevis



32-204
Dark Bronze Finish

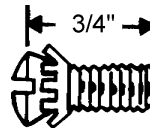
32-204A
Aluminum Finish

32-204 and **20-022**

Used on:

32-207 **32-208** **32-215**
32-236 **32-237** **32-239**
32-240 **32-247** **32-248**
32-273

Clevis Screw with Lock Washer



20-022
Dark Bronze Finish

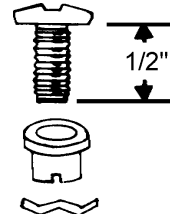
20-022A
Aluminum Finish

32-204A and **20-022A**

Used on:

32-214 **32-216** **32-217**
32-218 **32-219** **32-222**
32-272

Fastener Set

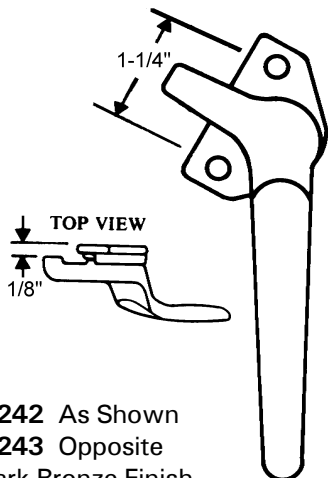


20-027
Dark Bronze Finish

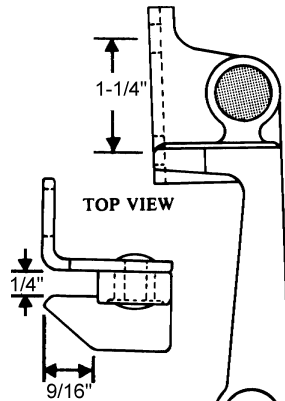
Used on **32-254**
and **32-255**

TWO HOLE CAM HANDLES

1-1/4"

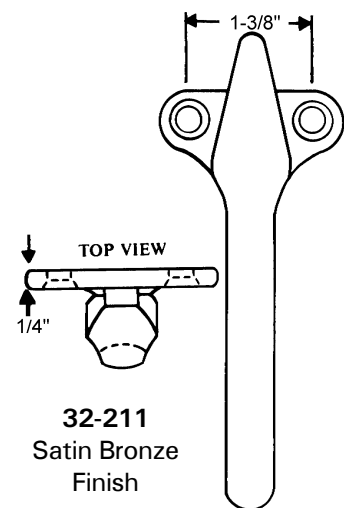


32-242 As Shown
32-243 Opposite
Dark Bronze Finish



32-206
Water Rolled Finish
Copper Color

1-3/8"

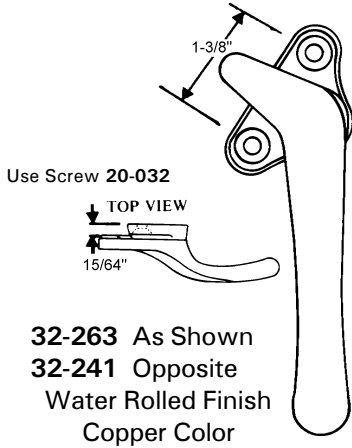


32-211
Satin Bronze
Finish

LOCKING HANDLES

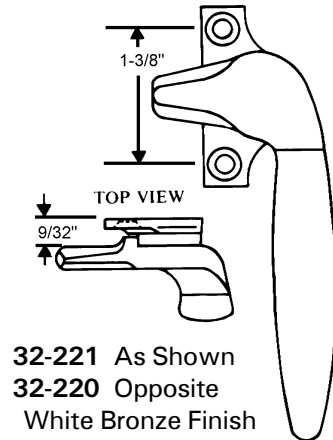
TWO HOLE CAM HANDLES

1-3/8"



Use Screw 20-032
TOP VIEW
15/64"

32-263 As Shown
32-241 Opposite
Water Rolled Finish
Copper Color

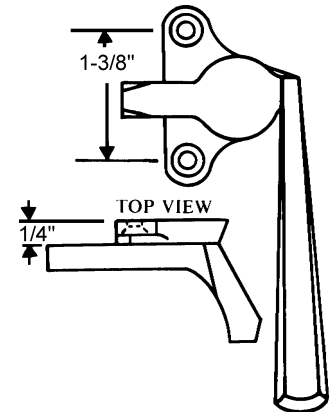


32-221 As Shown
32-220 Opposite
White Bronze Finish

32-295 Shown
32-294 Opposite
Light Bronze Finish

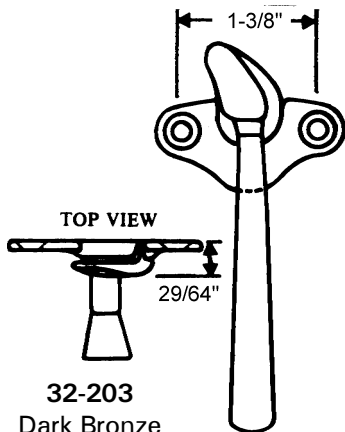
32-295W Shown
32-294W Opposite
White

32-295A Shown
32-294A Opposite
Aluminum

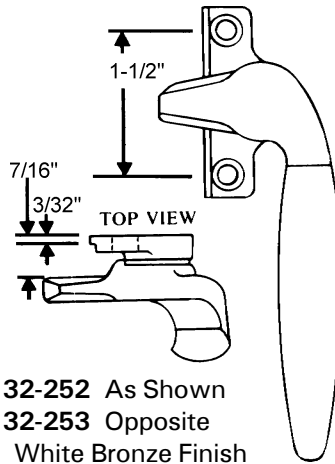


1-3/8"

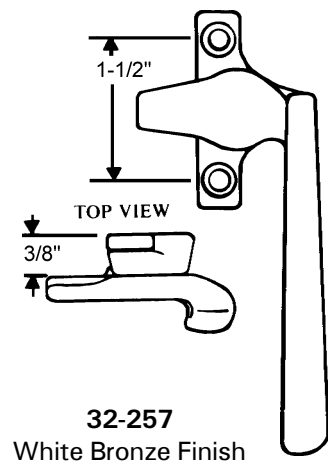
1-1/2"



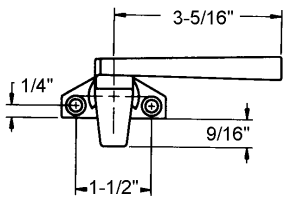
32-203
Dark Bronze
Finish



32-252 As Shown
32-253 Opposite
White Bronze Finish



32-257
White Bronze Finish

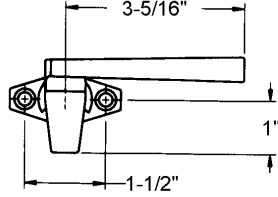


Distance between handle
& base is 11/32".

1-1/2" Die Cast

32-311-1 Bronze
32-311-3 White
32-311-7 Aluminum
Shown

32-310-1 Bronze
32-310-3 White
32-310-7 Aluminum
Opposite

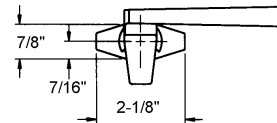
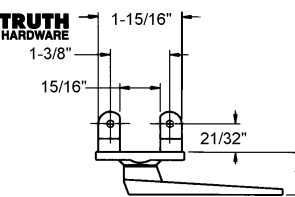


Distance between handle
& base is 11/32".

Die Cast

32-313-1 Bronze
32-313-3 White
Shown

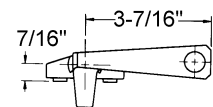
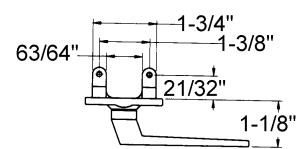
32-312-1 Bronze
32-312-3 White
Opposite



Die Cast

32-315-8 Chestnut
Bronze
Shown

32-314-8 Chestnut
Bronze
Opposite



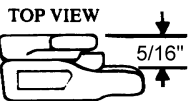
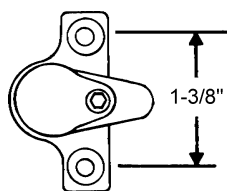
Die Cast

32-317-8 Chestnut Bronze
32-317-12 Medium Bronze
Shown

32-316-8 Chestnut Bronze
32-316-12 Medium Bronze
Opposite

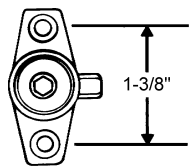
LOCKING HANDLES & CATCHES

AIR CONDITIONER LOCKS

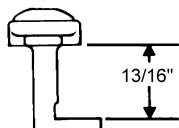


32-256

White Bronze Finish
Uses 900-218 Key

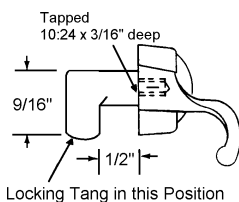


TOP VIEW

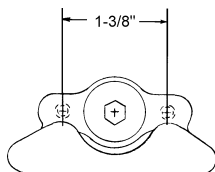


32-284

White Bronze Finish
Uses 900-19637 Key



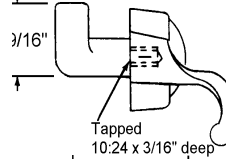
Locking Tang in this Position



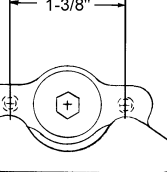
900-11108

White Bronze Finish
Uses 900-19637 Key

VENT LOCKS

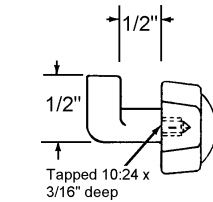


Tapped 10.24 x 3/16\"/>

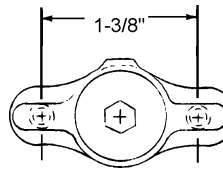


900-1221

White Bronze Finish
Uses 900-19637 Key



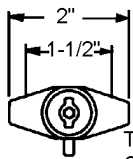
Tapped 10.24 x 3/16\"/>



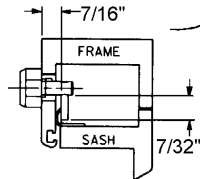
900-7970

White Bronze Finish
Uses 900-19637 Key

CUSTODIAL LOCK



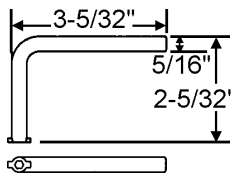
Turn Counter
Clockwise to
Unlock



32-373-8

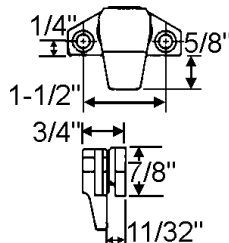
Call Your Account Manager For Face Mount

KEY



39-91

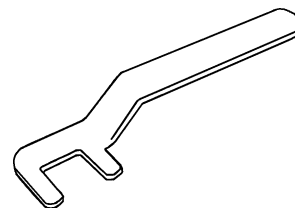
CAM LOCK



32-360-7
32-360-12

Uses 39-90 Key

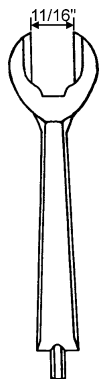
SPANNER TOOL



39-90

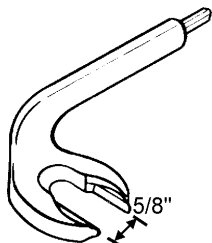
For Truth Die Cast Locks

REMOVABLE HANDLE KEYS



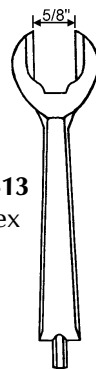
900-11209
5/32" Hex
Yoke fits Cam
Used with 32-256

For Bronze Handles



900-218

Hex fits 5/32" Allen Set Screw

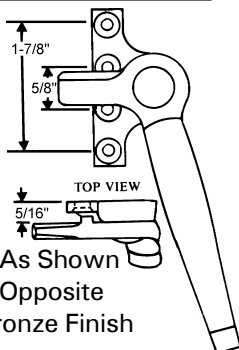


900-21413
1/8" Hex

Many
variations can
be custom
made. Sample
required.

900-10521

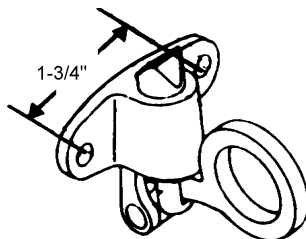
FOUR HOLE CAM HANDLES



Use Screw 20-030

32-228 As Shown
32-229 Opposite
Dark Bronze Finish

SPRING RING CATCH

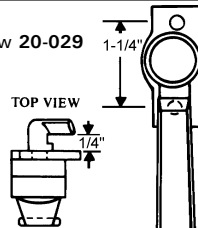


32-277

Aluminum Finish

1-1/4" PROJECT IN HANDLE

Use Screw 20-029

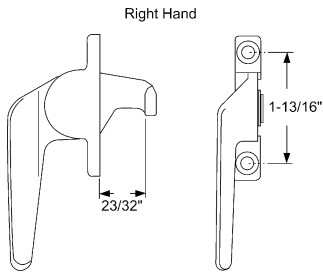


32-276

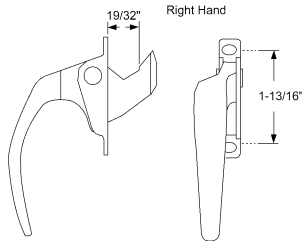
Water Rolled Finish
Copper Color

LOCKING HANDLES

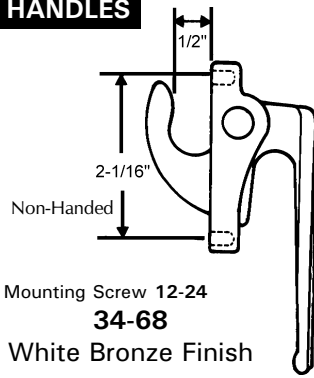
CASEMENT HANDLES



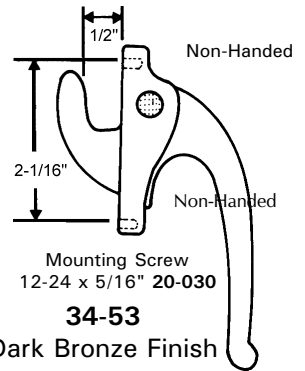
34-61 As Shown
34-62 Opposite
Light Bronze Finish



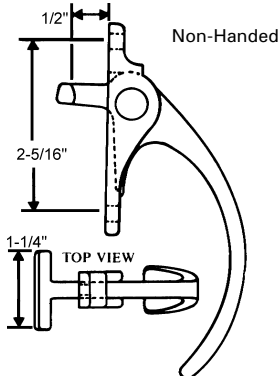
34-74 As Shown
34-75 Opposite
Bronze Finish



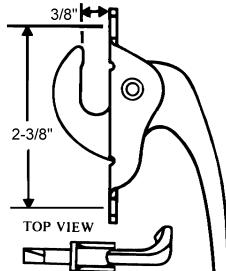
Non-Handed
Mounting Screw 12-24
34-68
White Bronze Finish



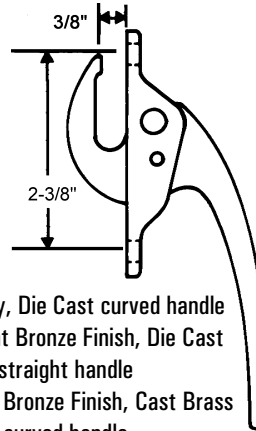
Non-Handed
Non-Handed
Mounting Screw
12-24 x 5/16" 20-030
34-53
Dark Bronze Finish



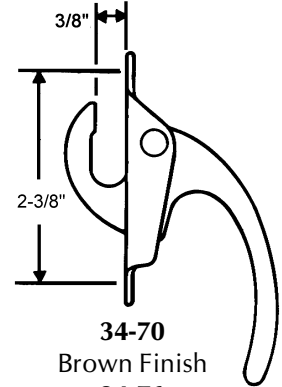
34-67
Dark Bronze Finish



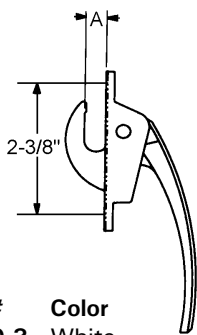
34-54 As Shown
34-55 Opposite
Bronze Finish
34-56 As Shown
34-57 Opposite
Aluminum Finish



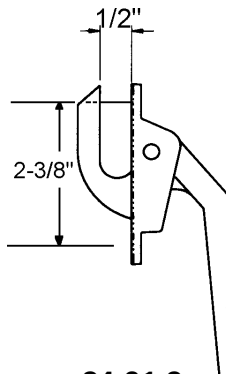
34-58 Gray, Die Cast curved handle
34-71 Light Bronze Finish, Die Cast straight handle
34-69 Dark Bronze Finish, Cast Brass curved handle



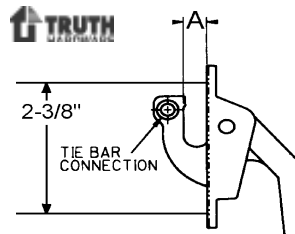
34-70
Brown Finish
34-76
Dark Bronze



Part #	Color	"A"
34-80-3	White	3/8"
34-80-7	Aluminum	3/8"
34-80-8	Chestnut Bronze	3/8"
34-81-8	Chestnut Bronze	1/2"

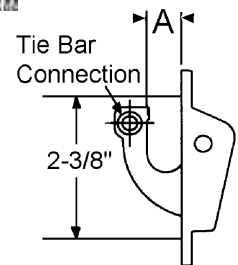


34-91-3
White

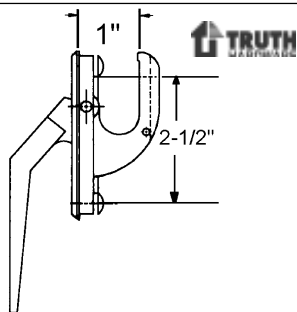


Part #	Color	"A"
34-82-3	White	3/8"
34-82-7	Aluminum	3/8"
34-82-8	Chestnut Bronze	3/8"
34-84-8	Chestnut Bronze	1/2"
34-84-13	Brush Copper Nickle	1/2"

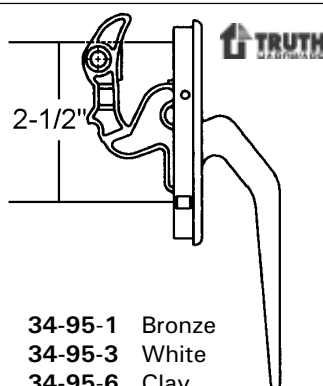
Part #	Color	"A"
34-83-8	Chestnut Bronze	3/8"
34-85-8	Chestnut Bronze	1/2"
34-85-13	Brush Copper Nickle	1/2"



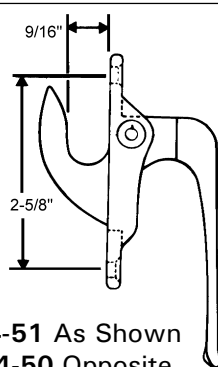
Tie Bar Connection



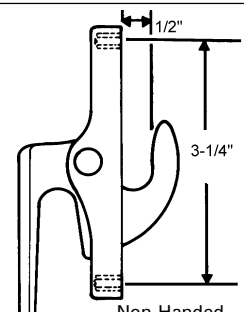
34-88-1	Bronze
34-88-3	White
34-88-6	Clay
34-88-8	Chestnut Bronze



34-95-1	Bronze
34-95-3	White
34-95-6	Clay
34-95-8	Chestnut Bronze



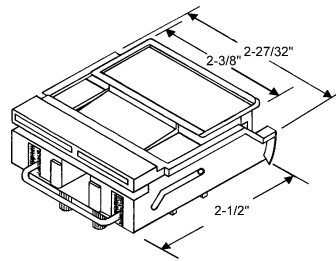
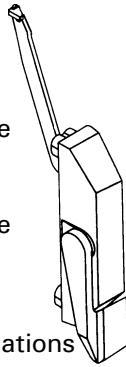
34-51 As Shown
34-50 Opposite
White Bronze Finish



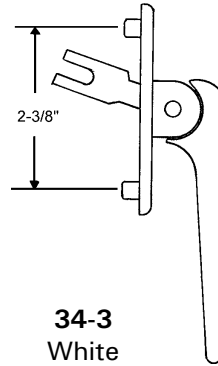
Non-Handed
Mounting Screw 10-24
34-52
Dark Bronze Finish

LOCKING HANDLES

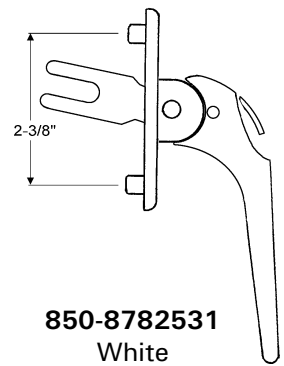
- 34-99-15 Off White
- 34-99-9 Beige
- Opposite
- 34-100-15 Off White
- 34-100-9 Beige
- Shown



900-12199
Peachtree

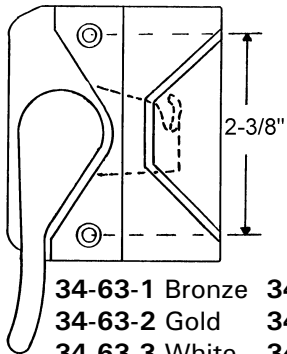


34-3
White



850-8782531
White

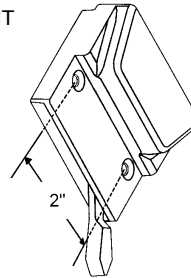
Used in Tie Bar Applications



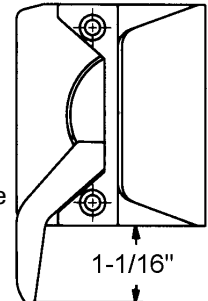
- | | |
|----------------|----------------|
| 34-63-1 Bronze | 34-64-1 Bronze |
| 34-63-2 Gold | 34-64-2 Gold |
| 34-63-3 White | 34-64-3 White |
| 34-63-5 Brass | 34-64-5 Brass |
| Shown | Opposite |



USED IN TANDEM APPLICATIONS. CONTACT YOUR REPRESENTATIVE FOR TIE-BAR LENGTHS. (34-46 SERIES ONLY)

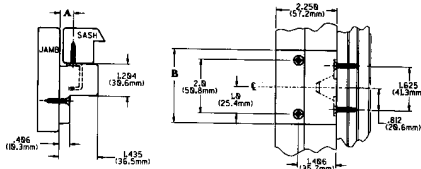


- | | | | |
|----------------|--------------|---------------|----------------|
| 34-47-1 Bronze | 34-47-2 Gold | 34-47-3 White | 34-46-1 Bronze |
| Non-Handed | | | |

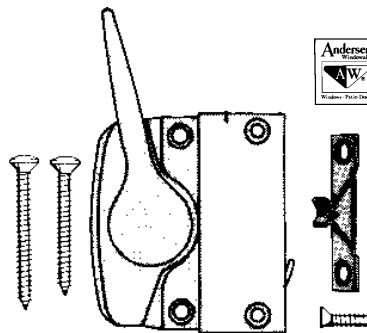
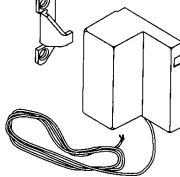


- | | |
|----------------|---------------|
| 34-42-1 Bronze | 34-42-3 White |
| Shown | |
| 34-43-1 Bronze | 34-43-3 White |
| Opposite | |

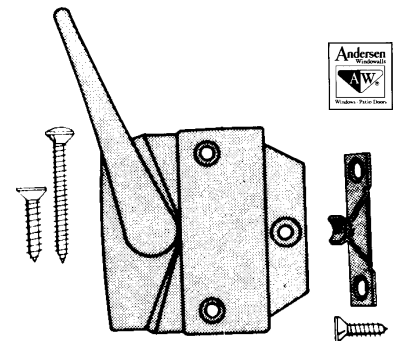
MOTORIZED LOCKS



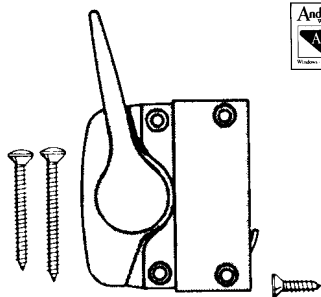
- 39-326-1 Bronze
- 39-326-3 White
- Replaces 34-46 & 34-47
- 39-338-1 Bronze
- 39-338-3 White
- Replaces 34-63 & 34-64



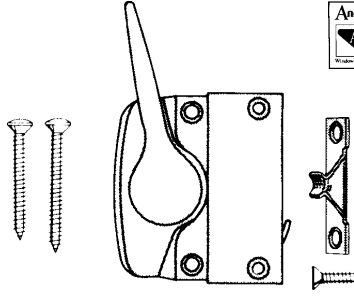
750-0565708 Shown
750-0565712 Opposite
Stone



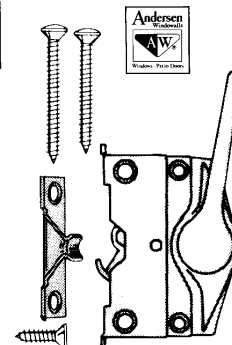
750-1351408 Shown
750-1351410 Opposite
Stone



750-0531708 Shown
750-0531712 Opposite
Bronze



750-0533608 Shown
750-0533612 Opposite
Silver Satin



- 750-0533508** Shown
- Not Available
- Use **750-0533509** Chrome
- 750-0533512** Opposite
- Not Available
- Use **750-0533513** Chrome



ARCHITECTURAL SPECIALTIES SASH LOCKS



50-442

The Model 50-442 is a traditional pattern sash lock especially suited to applications requiring a narrow strike plate, i.e., sash with insulating glass. It is a beautifully elegant lock, in polished brass with a burned finial.

Base Dimensions: 3/4" X 2-1/2" Strike Dimensions: 3/8" X 2-1/2"



50-443

The Model 50-443 is a traditional pattern sash lock similar to the Model 50-442 except for its larger size. It is designed for use on large and heavy sash such as found in institutional or public buildings.

Base Dimensions: 1" X 3" Strike Dimensions: 1/2" X 3"



50-439

The newly redesigned model 50-439 sash lock is based on a traditional pattern. The lever arm is designed for smooth operation, and it stops positively at the fully latched and fully unlatched positions. The very narrow strike (7/16") makes this lock ideal for use on sash with insulating glass. The lock and strike are hot-forged from solid brass, precision machined, and hand polished.

Base Dimensions: 9/16" X 2-1/2" Strike Dimensions: 7/16" X 2-1/2"



50-440

The Model 50-440 is a spring action version of the Fitch pattern lock. It is hot-forged of solid brass and hand polished.

Base Dimensions: 7/8" X 2-3/4" Strike Dimensions: 1/2" X 2-3/4"



50-441

The Model 50-441 is a quadrant type sash lock. The lever arm plate mounts on the upper sash checkrail, the strike plate on the lower sash checkrail. It is a simple yet elegant lock in solid cast brass with a polished and lacquered finish.

Base Dimensions: 3/4" X 2-3/4" Strike Dimensions: 13/16" X 2-3/4"



50-444

The Model 50-444 is a Yale or Brighton pattern sash lock. The lock is solid cast brass with a hand polished and lacquered finish.

Base Dimensions: 3/4" X 1-7/8" Strike Dimensions: 3/4" X 1-7/8"

ARCHITECTURAL SPECIALTIES SASH LOCKS



50-445

The Model 50-445 sash lock is designed for use on the checkrails of large or inaccessible double-hung sash which are to be locked and unlocked using a pole. The extended locking arm on this lock makes it especially suitable for the 1-3/4" and 2-1/4" thick sash usually found in large public or institutional buildings. It is hot-forged from solid brass and comes in a polished and lacquered finish.

Base Dimensions:
13/16" X 2-3/8"

Strike Dimensions:
3/16" X 2-3/8"

SECURE VENTILATION LOCK



50-446

The Model 50-446 secure ventilation lock is designed to limit the opening of a double hung wood window to an amount adequate for ventilation. The lock threads into a hole drilled into the interior face of the upper sash stile. In its activated mode, the lock bolt protrudes and limits the amount which the lower sash can be raised. In its inactive mode, the lock bolt is retracted, permitting the normal operation of both sash. The secure ventilation lock can be easily activated or inactivated only by the use of a special key, included with each lock.

The Model 50-446 secure ventilation lock has a solid, machined brass housing and bolt and is offered in an unlacquered finish. Included with each lock is a steel operation key and a brass strike plate for mounting on the lower sash check rail.

ACCESSORIES

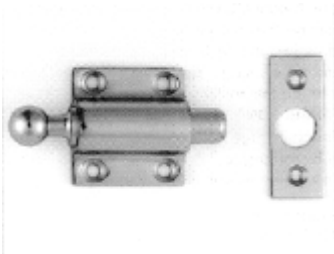


19-321

Stop Bead Adjuster

A solid brass stop bead adjuster for mounting removable window stops. The slotted screw hole permits 1/8" of lateral adjustment. They are supplied in boxes of 50 pieces with accompanying #8 X 1" solid brass wood screws.

ARCHITECTURAL SPECIALTIES SPRING BOLTS

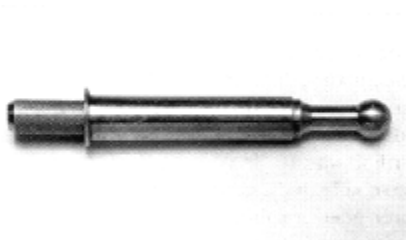


19-317

The Model 19-317 is a surface mounted window spring bolt designed for holding a vertical or horizontal sliding sash in either an open or closed position. The spring plunger may be locked into its fully retracted position by a simple rotation of the spherical knob. The window spring bolt is especially suited for retro-fitting to older windows lacking balance systems or to any sash requiring a multi-position lock. The Model 19-317 is precision extruded and machined from solid brass and hand polished. Three strike plates are furnished with each lock.

Base Dimensions:
1-1/8" X 1-1/4"

Strike Dimensions:
5/8" X 1-7/16"



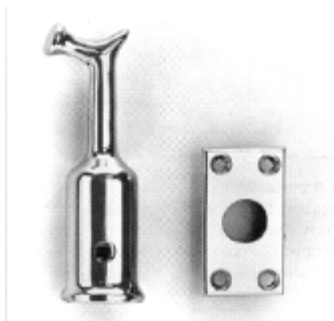
19-318

The Model 19-318 is a solid brass window spring bolt designed for installation in the wood stile of a vertically sliding sash. This type of hardware is commonly used in pairs on light weight, single hung sash in lieu of a balance system or sash lock, and is designed to be press-fit into a 3/8" diameter hole bored through the sash stile. A hole to accept the spring plunger is then bored in the window jamb to hold the sash at any desired height. The Model 19-318 is precision turned solid brass with a stainless steel spring.

Housing Dimensions:
1-7/8" X 3/8"

Overall Length:
3-3/8"

MISCELLANEOUS



39-572

39-573

The Model 39-572 pole hook and Model 39-573 pole hook socket are intended to facilitate the operation of large or inaccessible double-hung windows. The pole hook is designed to be mounted on the end of a wooden operating pole of an appropriate length. The 39-573 pole socket is easily mounted in the sash rail, requiring only the boring of a 1" diameter hole. Both items are solid cast brass with a polished and lacquered finish.

Model 39-572 Dimensions: 4"L X 7/8" I.D.

Model 39-573 Dimensions: 1-1/4" X 2-1/4"



19-320

The Model 19-320 transom chain is designed to limit the opening of transom sash or other bottom hinged windows. The chain brackets are solid, polished and lacquered brass. The 12" chain is solid bronze.

Base Dimensions:
1-3/16" X 1" X 11/16"

ARCHITECTURAL SPECIALTIES SASH LIFTS



50-449

The Model 50-449 is a flush sash lift based on a traditional pattern. It is used singly on sash up to 2 feet wide and in pairs on larger sash. It is hot-forged from solid brass and hand polished.

Dimensions: 1-3/4" X 3-1/8"



50-451

A solid cast brass handle type sash lift in a traditional pattern. The off-set design improves hand clearance between the handle and window stool, especially width is limited. Used singly on sash up to 2 feet wide and in pairs on larger sash.

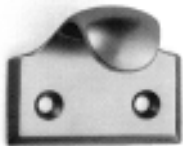
Dimensions: 15/16" X 4-1/4"



50-452

A larger version of the handle-type sash lift described above.

Dimensions: 1" X 5"



50-461



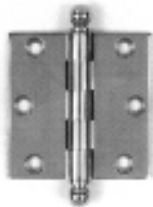
50-462

The Model 50-461 and 50-462 are hook-type sash lifts based on traditional patterns. They are used singly on sash up to 2 feet wide and in pairs on larger sash. both lifts are solid, hot-forged brass, hand polished.

Dimensions: 1-3/4" w X 1-3/8" h X 1" d -50-461

Dimensions: 2" w X 1-3/4" h X 1-1/4" d -50-462

HINGES



19-322 3" x 3"

19-323 3-1/2" x 3-1/2"

19-324 4" x 4"

Our 19 series polished brass butt hinges are designed for use on wood casement windows and doors. The hinge body is precision extruded brass, .125" thick, and has removable ball tips. The finish is hand polished and lacquered. Sold in pairs.

ARCHITECTURAL SPECIALTIES CASEMENT HARDWARE



34-79 RH Shown
34-79 LH Opposite

The Model 34-79 casement fastener is hot-forged solid brass and hand polished. Available either right or left-handed.

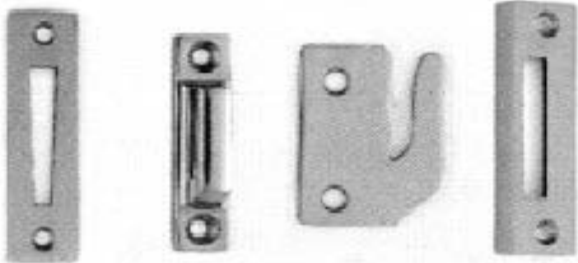
Base Dimensions: 11-16" X 2-3/8"
Handle: 2"
Overall Depth: 1-1/4"



34-77 RH Shown
34-77 LH Opposite

The newly redesigned Model 34-77 casement fastener is hot-forged from solid brass and hand polished. Available either right or left-handed.

Base Dimensions: 11/16" X 2-3/8"
Handle: 3-1/2"
Overall Depth: 1-7/8"



50-453 **50-454** **50-463** **50-464**

Strike Plates for Casement Fasteners

- 50-453 Mortise strike
- 50-454 Surface strike
- 50-463 Rim strike
- 50-464 Angle strike (for use on windows with compression weatherstripping)



29-204
(Out-swing shown/brackets invert for in-swing)

The model 29-204 is a 12-1/2" solid polished brass slide-bar type adjuster for wood in-swing or out-swing windows. Based on a traditional pattern, this beautifully made casement adjuster is designed so as not to interfere with hinged or rolling interior screens whether in the open or closed position. For universal (left or right hand) operation.

Overall Length: 12-1/2"
Overall Height: 2-3/8"
Overall Depth: 1-3/8"



29-205

The Model 29-205 sliding rod casement adjuster is a highly finished version of a traditional American pattern. It is designed for use on out-swing hinged windows. The 29-205 is hot-forged and precision machined from solid brass and hand polished.

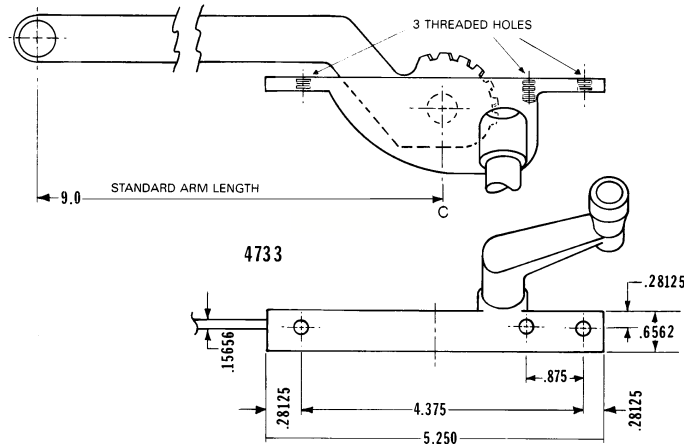
Base Dimensions: 15/16" X 2-3/8"
Overall Length: 13-1/2"
Overall Height: 2"



29-206

The Model 29-206 telescopic friction casement stay is a highly finished, heavy-duty version of a pattern common to early 20th century casement windows. It is designed for installation on all types of out-swinging hinged sash. The degree of friction may be adjusted by means of the large brass nut at the barrel end. The 29-206 is offered in solid brass, with a hand polished and lacquered finish.

DORCHESTER CASEMENT OPERATORS



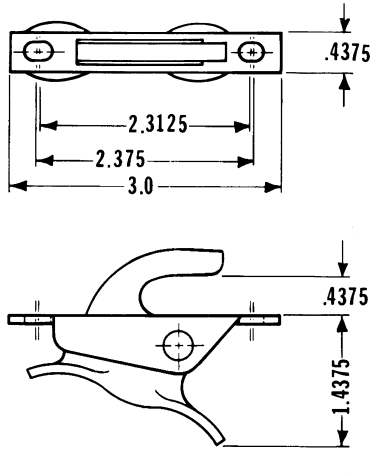
*Original Not Available.
Suitable Substitute
Listed Below*

4733 Thorn and Fenestra Replacement

Specifications: Housing and crank -Zinc die cast. #5 crank is standard. Arm - High carbon steel, rust proofed, 11/16" wide x 5/32" thick x 9" long, center to center. Housing furnished with 3 tapped holes #12-24, 4-3/8" center to center, thus making a replacement for Thorn and Fenestra. Screws Furnished.

SHORTER LENGTHS AVAILABLE BY SPECIAL ORDER

SBI #	Hand	Color	Package	Case Qty.
36-134	RH opposite	Brown	Bagged	24
36-134A	RH opposite	Aluminum	Bagged	24
36-135	LH shown	Brown	Bagged	24
36-135A	LH shown	Aluminum	Bagged	24



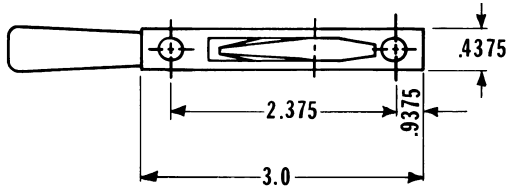
4621 Butterfly Locking Handle

Specifications: Handle - Zinc die cast
Base - Stamped Steel. Finish - Bronze or Aluminum.
Screws - #10-24 x 5/16" pan head machine screws.

SBI #	Color	Package	Case Qty.
900-225	Aluminum	Bagged	25

SMALLER QUANTITIES AVAILABLE UPON REQUEST

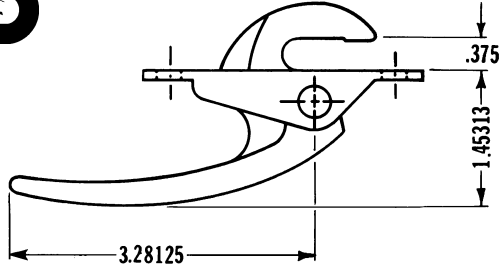
DORCHESTER HANDLES



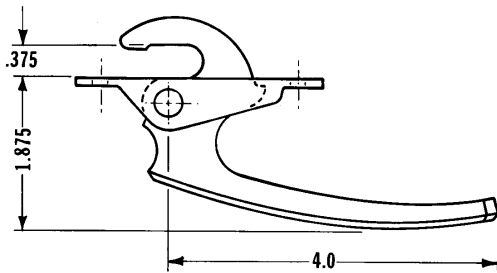
4641 Straight Locking Handle

Specifications: Handle - Zinc die cast
Base - Stamped Steel. Finish - Bronze or Aluminum.
Screws - #10-24 x 5/16" pan head machine screws.

OTHER COLORS AVAILABLE WITH MINIMUM OF 100 PIECES



SBI #	Color	Package	Case Qty.
34-71	Light Bronze	Bagged	25
34-71AL	Aluminum	Bagged	25



4635 Custom Locking Handle

Specifications: Handle - Zinc die cast. Base - Stamped Steel. Finish - Bronze, Aluminum or White. Screws - #10-24 x 5/16" pan head machine screws. Specify left or right hand when ordering.

OTHER COLORS AVAILABLE WITH MINIMUM OF 100 PIECES



SBI #	Hand	Color	Package	Case Qty.
34-54	RH	Brown	Bagged	25
34-54LB	RH	Light Bronze	Bagged	25
34-55	LH	Brown	Bagged	25
34-55LB	LH	Light Bronze	Bagged	25
34-56	RH	Aluminum	Bagged	25
34-57	LH	Aluminum	Bagged	25



SMALLER QUANTITIES AVAILABLE UPON REQUEST