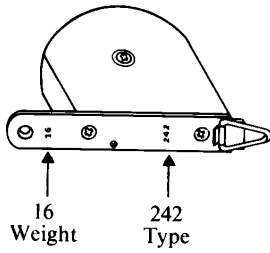
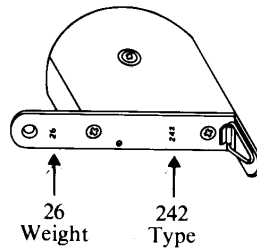


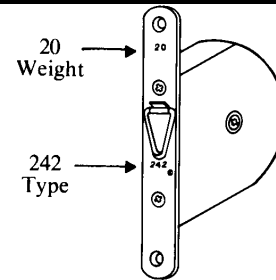
TAPE BALANCES



Overhead Style - FT



Overhead Style - AT



Side Style - S

Ordering Information

- 1) Identify style: FT - AT - S
- 2) Identify type: 242 -150 -154 (Type number will be stamped on face plate).
- 3) Determine weight. (Number is stamped on face plate).
- 4) Select our corresponding part number from chart below.

General Information

- 1) Type 242 for maximum sash weight 26 lbs., tape length 39".
- Type 150 for maximum sash weight 35 lbs., tape length 50".
- Type 154 for maximum sash weight 50 lbs., tape length 50".
- 2) Tapes for special weight and lengths are available. Consult your sales representative.
- 3) All tape balances are custom made and therefore they are not interchangeable.

Overhead Style - FT

| LBS | TYPE 242 | TYPE 150 | TYPE 154 |
|-----|----------|----------|----------|
| | PART # | PART # | PART # |
| 4 | 96-1 | - | - |
| 6 | 96-2 | 96-37 | - |
| 8 | 96-3 | 96-38 | - |
| 10 | 96-4 | 96-39 | - |
| 12 | 96-5 | 96-40 | - |
| 14 | 96-6 | 96-41 | - |
| 16 | 96-7 | 96-42 | - |
| 18 | 96-8 | 96-43 | - |
| 20 | 96-9 | 96-44 | 96-73 |
| 22 | 96-10 | 96-45 | 96-74 |
| 24 | 96-11 | - | 96-75 |
| 26 | 96-12 | 96-46 | 96-76 |
| 28 | - | 96-47 | 96-77 |
| 30 | - | - | 96-78 |
| 32 | - | 96-48 | 96-79 |
| 34 | - | - | 96-80 |
| 36 | - | - | 96-81 |
| 38 | - | - | 96-82 |
| 40 | - | - | 96-83 |

Overhead Style - AT

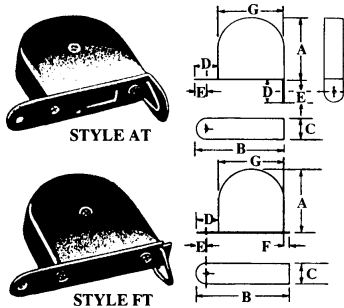
| LBS | TYPE 242 | TYPE 150 | TYPE 154 |
|-----|----------|----------|----------|
| | PART # | PART # | PART # |
| 4 | 96-13 | - | - |
| 6 | 96-14 | 96-49 | - |
| 8 | 96-15 | 96-50 | - |
| 10 | 96-16 | 96-51 | - |
| 12 | 96-17 | 96-52 | - |
| 14 | 96-18 | 96-53 | - |
| 16 | 96-19 | 96-54 | - |
| 18 | 96-20 | 96-55 | - |
| 20 | 96-21 | 96-56 | 96-84 |
| 22 | 96-22 | 96-57 | 96-85 |
| 24 | 96-23 | - | 96-86 |
| 26 | 96-24 | 96-58 | 96-87 |
| 28 | - | 96-59 | 96-88 |
| 30 | - | - | 96-89 |
| 32 | - | 96-60 | 96-90 |
| 34 | - | - | 96-91 |
| 36 | - | - | 96-92 |
| 38 | - | - | 96-93 |
| 40 | - | - | 96-94 |

Side Style - S

| LBS | TYPE 242 | TYPE 150 | TYPE 154 |
|-----|----------|----------|----------|
| | PART # | PART # | PART # |
| 4 | 96-25 | - | - |
| 6 | 96-26 | 96-61 | - |
| 8 | 96-27 | 96-62 | - |
| 10 | 96-28 | 96-63 | - |
| 12 | 96-29 | 96-64 | - |
| 14 | 96-30 | 96-65 | - |
| 16 | 96-31 | 96-66 | - |
| 18 | 96-32 | 96-67 | - |
| 20 | 96-33 | 96-68 | 96-95 |
| 22 | 96-34 | 96-69 | 96-96 |
| 24 | 96-35 | - | 96-97 |
| 26 | 96-36 | 96-70 | 96-98 |
| 28 | - | 96-71 | 96-99 |
| 30 | - | - | 96-100 |
| 32 | - | 96-72 | 96-101 |
| 34 | - | - | 96-102 |
| 36 | - | - | 96-103 |
| 38 | - | - | 96-104 |
| 40 | - | - | 96-105 |

NOTE: *TYPE 150 ADJUSTABLE TO 3 LBS. PLUS OR MINUS WEIGHT SPECIFIED.

TAPE BALANCE TECHNICAL INFORMATION



| SIZE | A | B | C | D | E | G |
|-------|---------|---------|-------|---------|-------|---------|
| 242AT | 3 | 4-5/16 | 7/8 | 1-5/16 | 5/16 | 3 |
| 150AT | 3-3/8 | 4-11/16 | 1-1/8 | 1-5/16 | 3/8 | 3-3/8 |
| 154AT | 3-5/16 | 5-5/32 | 1-1/4 | 1-17/32 | 15/32 | 3-15/16 |
| 242S | 3 | 5-5/8 | 7/8 | 1-5/16 | 5/16 | 3 |
| 150S | 3-3/8 | 6 | 1-1/8 | 1-5/16 | 3/8 | 3-3/8 |
| 154S | 3-15/16 | 7 | 1-1/4 | 1-13/32 | 15/32 | 3-15/16 |
| 242FT | 3 | 4-11/16 | 7/8 | 1-5/16 | 3/8 | 3 |
| 150FT | 3-3/8 | 5-1/8 | 1 | 1-5/16 | 3/8 | 3-3/8 |
| 154FT | 3-15/16 | 5-13/16 | 1-1/4 | 1-17/32 | 11/32 | 3-15/16 |

| WGT. OF SASH | 4-26 LBS. | 4-35 LBS. | 20-50 LBS. |
|----------------------|-----------|-----------|------------|
| Balance Size | 242 | 150 | 154 |
| *Standard Tape Lgth. | 39" | 50" | 50" |

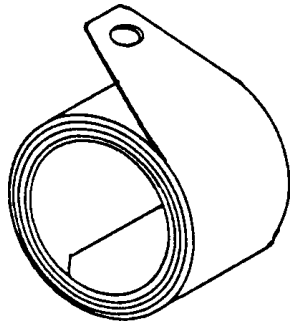
Determining the Size of the Balance

Balance size is governed by the weight of sash and length of tape required. All balance capacities are per pair of balances. The adjustment feature is good for a plus or minus correction of up to 3 pounds. Actual or estimated weights of sash therefore must be specified when ordering.

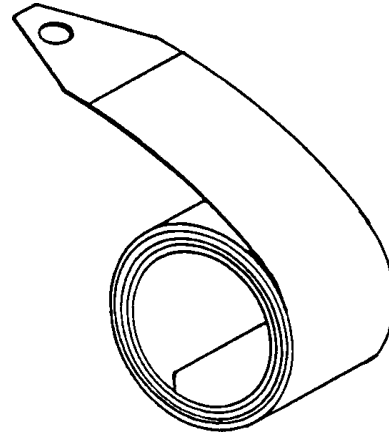
*May be increased under certain conditions. For full particulars, write to factory detailing problem.

96-C SERIES COILED BALANCE SPRINGS

CERTAINTEED



SHORT TONGUE



LONG TONGUE

| Number Stamped on Spring | Weight | Part Number |
|--------------------------|--------|-------------|
| 263-S | 3 lb. | 96-C263 |
| 334-S | 4 lb | 96-C334 |
| 335-S | 5 lb | 96-C335 |
| 405-S | 5 lb | 96-C405 |
| 336-S | 6 lb | 96-C336 |
| 406-S | 6 lb | 96-C406 |
| 407-S | 7 lb | 96-C407 |
| 408-S | 8 lb | 96-C408 |

| Number Stamped On Spring | Weight | Part Number |
|--------------------------|--------|-------------|
| 405-L | 5 lb. | 96-C405A |
| 406-L | 6 lb | 96-C406A |

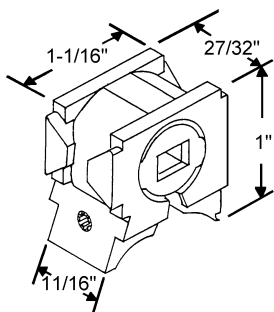
Note:
Many other manufacturers' variations are available.

Contact your account manager if you have a similar product.

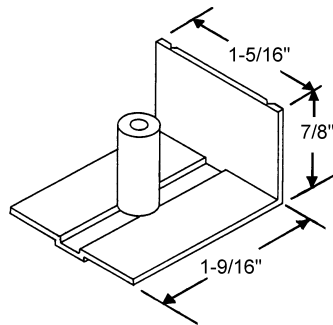
Samples may be required.

96-C Series Balance Accessories

LANCE SPRING COV

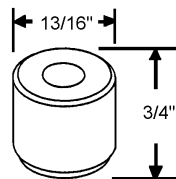


96-C1
Cam Opening:
19/64" x 3/16"

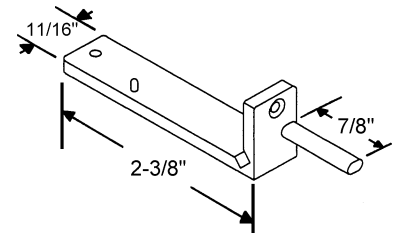


96-C2
Drum Barrel Diameter 3/8"

BALANCE DRUM

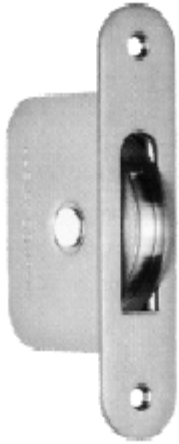


96-C3



96-C7 Shown
96-C6 Opposite

ARCHITECTURAL SPECIALTIES SASH PULLEYS



The Model 96-P1 is a larger redesigned version of our popular ball bearing sash pulley. It has been designed to meet the needs of custom high-end window fabricators building large and heavy sash. The Model 96-P1 features a hot forged solid brass 1-1/8" X 5-7/16" radius end faceplate, 2-1/2" solid brass precision turned pulley wheel for chain or cord, and a sealed ball-bearing for many years of smooth operation. The standard finish is satin lacquered.

Faceplate Dimensions:
1-1/8" X 5-7/16"
Housing Dimensions:
2-3/16" X 3-1/4" X 3/4"

96-P1



2-1/4" Dia. Ball Bearing Pulley
Standard Finish
Polished and Lacquered

Faceplate Dimensions:
1-1/4" X 5"
Housing Dimensions:
1-7/8" X 3-1/4" X 13/16"

96-P2



2-1/4" Dia. Ball Bearing Pulley
Standard Finish
Satin Brass

Faceplate Dimensions:
1-1/8" X 5-7/16"
Housing Dimensions:
1-7/8" X 3-1/4" X 13/16"

96-P3



1-3/4" Dia.
Plain Bearing Pulley
Standard Finish
Satin Brass

Faceplate Dimensions:
1" X 4-5/8"
Housing Dimensions:
1-7/16" X 3" X 5/8"

96-P4



1-3/4" Dia.
Plain Bearing Pulley
Standard Finish
Satin Brass

Faceplate Dimensions:
1" X 4-5/8"
Housing Dimensions:
1-7/16" X 3" X 5/8"

96-P5

Our solid brass and steel sash pulleys are designed for superior operation, longevity and appearance, and ease of installation in either new construction or renovation.

ARCHITECTURAL SPECIALTIES SASH CHAIN AND CORD



96-701
#45 Solid Bronze

Load Limit 160 lbs.



96-702
#25 Solid Bronze

Load Limit 80 lbs.



96-703
#3 Solid Brass

Load Limit 100 lbs.



96-706
#35 Stainless Steel

Load Limit 225 lbs.

Sash Chain

Sash chain is preferred over sash cord in instances where greater longevity is required such as high quality residential construction, restoration work, and public buildings. Our solid bronze, solid brass, and stainless steel sash chains will give many years of reliable service. The chain types and sizes shown above are held in stock in boxes of 100 feet, ready for immediate shipment. Other sizes and materials are available; please call to check prices and availability.



96-704
#8

Load Limit 160 lbs.



96-705
#10

Load Limit 160 lbs.

Sash Cord

Our pre-stretched, premium waxed cotton sash cord has an inner synthetic stranded cord for increased strength and flexibility. The outer covering of plaited waxed and polished premium grade cotton is designed specifically for use with pulley systems and will give many years of smooth and trouble-free performance. We offer two sizes, 96-704 (1/4") and 96-705 (5/16"). Both come in 100' hanks.

SASH COUNTERWEIGHTS



96-700-5 -5lb

96-700-3 -3lb

96-700-1 -1lb

Our 96 series stackable cast iron counterweights are designed to economically facilitate the balancing of sash in weight and pulley windows. The 1/2" through-hole permits their use with either rope or chain. The square and radiussed cross-section provides more weight per inch than conventional round weights, essential when dealing with heavier glazings or insulating glass. The 1 lb., 3 lb., and 5 lb. sizes permit flexibility and precision in attaining a proper balance. They are suitable for 1-3/4" or larger sash in either new construction or retro-fit.

ACCESSORIES



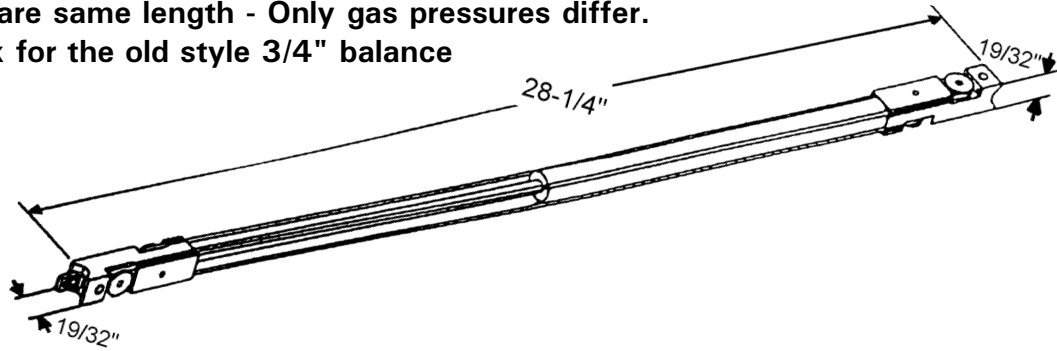
19-321

Stop Bead Adjuster

A solid brass stop bead adjuster for mounting removable window stops. The slotted screw hole permits 1/8" of lateral adjustment. They are supplied in boxes of 50 pieces with accompanying #8 X 1" solid brass wood screws.

84 SERIES 5/8" PNEU-LIFT TILT ASSEMBLY

All balances are same length - Only gas pressures differ.
Will not work for the old style 3/4" balance



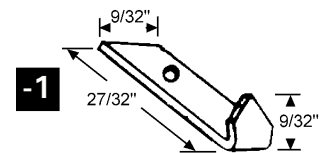
| Part Number | Suggested Weight Per Pair | Suggested Weight 4 Per Sash | |
|-------------|---------------------------|-----------------------------|----------------------|
| 84-35-1 | 18 to 21 lbs. | 36 to 42 lbs. | w/60-518 attached |
| 84-35-5 | 18 to 21 lbs. | 36 to 42 lbs. | w/900-18354 attached |
| 84-40-1 | 21 to 24 lbs. | 42 to 48 lbs. | w/60-518 attached |
| 84-40-5 | 21 to 24 lbs. | 42 to 48 lbs. | w/900-18354 attached |
| 84-45-1 | 24 to 27 lbs. | 48 to 54 lbs. | w/60-518 attached |
| 84-45-5 | 24 to 27 lbs. | 48 to 54 lbs. | w/900-18354 attached |
| 84-50-1 | 27 to 30 lbs. | 54 to 60 lbs. | w/60-518 attached |
| 84-50-5 | 27 to 30 lbs. | 54 to 60 lbs. | w/900-18354 attached |
| 84-55-1 | 30 to 32 lbs. | 60 to 64 lbs. | w/60-518 attached |
| 84-55-5 | 30 to 32 lbs. | 60 to 64 lbs. | w/900-18354 attached |
| 84-60-1 | 32 to 36 lbs. | 64 to 72 lbs. | w/60-518 attached |
| 84-60-5 | 32 to 36 lbs. | 64 to 72 lbs. | w/900-18354 attached |
| 84-65-1 | 36 to 39 lbs. | 72 to 78 lbs. | w/60-518 attached |
| 84-65-5 | 36 to 39 lbs. | 72 to 78 lbs. | w/900-18354 attached |
| 84-70-1 | 39 to 43 lbs. | 78 to 86 lbs. | w/60-518 attached |
| 84-70-5 | 39 to 43 lbs. | 78 to 86 lbs. | w/900-18354 attached |
| 84-75-1 | 43 to 45 lbs. | 86 to 90 lbs. | w/60-518 attached |
| 84-75-5 | 43 to 45 lbs. | 86 to 90 lbs. | w/900-18354 attached |
| 84-80-1 | 45 to 48 lbs. | 90 to 96 lbs. | w/60-518 attached |
| 84-80-5 | 45 to 48 lbs. | 90 to 96 lbs. | w/900-18354 attached |
| 84-85-1 | 48 to 52 lbs. | 96 to 104 lbs. | w/60-518 attached |
| 84-85-5 | 48 to 52 lbs. | 96 to 104 lbs. | w/900-18354 attached |
| 84-90-1 | 52 to 55 lbs. | 104 to 110 lbs. | w/60-518 attached |
| 84-90-5 | 52 to 55 lbs. | 104 to 110 lbs. | w/900-18354 attached |
| 84-95-1 | 55 to 58 lbs. | 110 to 116 lbs. | w/60-518 attached |
| 84-95-5 | 55 to 58 lbs. | 110 to 116 lbs. | w/900-18354 attached |
| 84-105-1 | 58 to 62 lbs. | 116 to 124 lbs. | w/60-518 attached |
| 84-105-5 | 58 to 62 lbs. | 116 to 124 lbs. | w/900-18354 attached |
| 84-110-1 | 62 to 64 lbs. | 124 to 129 lbs. | w/60-518 attached |
| 84-110-5 | 62 to 64 lbs. | 124 to 129 lbs. | w/900-18354 attached |

Optional End Brackets



900-18354

If ordering with our optional 900-18354 clip attached, Please add "-5" after the part number

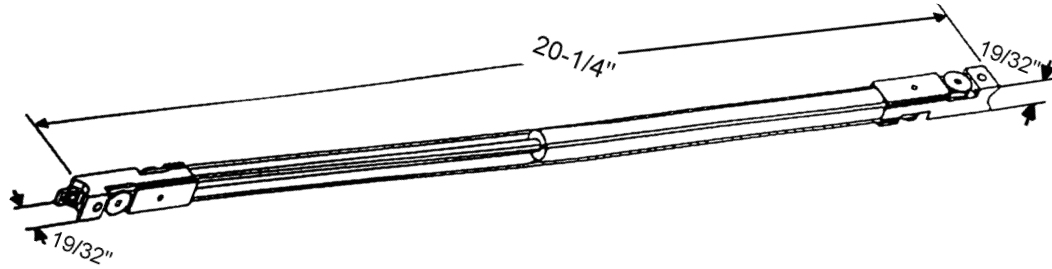


60-518

If ordering with our optional 60-518 clip attached, Please add "-1" after the part number

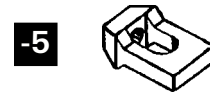
Contact Account Manager For Pricing

84S SERIES SHORT 5/8" PNEU-LIFT TILT ASSEMBLY



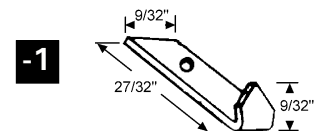
| Part Number | Suggested Weight Per Pair | Suggested Weight 4 Per Sash | |
|-------------|---------------------------|-----------------------------|----------------------|
| 84S-20-1 | 9 to 12 lbs. | 10 to 24 lbs. | w/60-518 attached |
| 84S-20-5 | 9 to 12 lbs. | 10 to 24 lbs. | w/900-18354 attached |
| 84S-25-1 | 12 to 15 lbs. | 24 to 30 lbs. | w/60-518 attached |
| 84S-25-5 | 12 to 15 lbs. | 24 to 30 lbs. | w/900-18354 attached |
| 84S-30-1 | 15-18 lbs. | 30-36 lbs. | w/60-518 attached |
| 84S-30-5 | 15-18 lbs. | 30-36 lbs. | w/900-18354 attached |
| 84S-35-1 | 18 to 21 lbs. | 36 to 42 lbs. | w/60-518 attached |
| 84S-35-5 | 18 to 21 lbs. | 36 to 42 lbs. | w/900-18354 attached |
| 84S-40-1 | 21 to 24 lbs. | 42 to 48 lbs. | w/60-518 attached |
| 84S-40-5 | 21 to 24 lbs. | 42 to 48 lbs. | w/900-18354 attached |
| 84S-45-1 | 24 to 27 lbs. | 48 to 54 lbs. | w/60-518 attached |
| 84S-45-5 | 24 to 27 lbs. | 48 to 54 lbs. | w/900-18354 attached |
| 84S-50-1 | 27 to 30 lbs. | 54 to 60 lbs. | w/60-518 attached |
| 84S-50-5 | 27 to 30 lbs. | 54 to 60 lbs. | w/900-18354 attached |
| 84S-55-1 | 30 to 32 lbs. | 60 to 64 lbs. | w/60-518 attached |
| 84S-55-5 | 30 to 32 lbs. | 60 to 64 lbs. | w/900-18354 attached |
| 84S-60-1 | 32 to 36 lbs. | 64 to 72 lbs. | w/60-518 attached |
| 84S-60-5 | 32 to 36 lbs. | 64 to 72 lbs. | w/900-18354 attached |
| 84S-65-1 | 36 to 39 lbs. | 72 to 78 lbs. | w/60-518 attached |
| 84S-65-5 | 36 to 39 lbs. | 72 to 78 lbs. | w/900-18354 attached |
| 84S-70-1 | 39 to 43 lbs. | 78 to 86 lbs. | w/60-518 attached |
| 84S-70-5 | 39 to 43 lbs. | 78 to 86 lbs. | w/900-18354 attached |
| 84S-75-1 | 43 to 45 lbs. | 86 to 90 lbs. | w/60-518 attached |
| 84S-75-5 | 43 to 45 lbs. | 86 to 90 lbs. | w/900-18354 attached |
| 84S-80-1 | 45 to 48 lbs. | 90 to 96 lbs. | w/60-518 attached |
| 84S-80-5 | 45 to 48 lbs. | 90 to 96 lbs. | w/900-18354 attached |
| 84S-85-1 | 48 to 52 lbs. | 96 to 104 lbs. | w/60-518 attached |
| 84S-85-5 | 48 to 52 lbs. | 96 to 104 lbs. | w/900-18354 attached |
| 84S-90-1 | 52 to 55 lbs. | 104 to 110 lbs. | w/60-518 attached |
| 84S-90-5 | 52 to 55 lbs. | 104 to 110 lbs. | w/900-18354 attached |
| 84S-95-1 | 55 to 58 lbs. | 110 to 116 lbs. | w/60-518 attached |
| 84S-95-5 | 55 to 58 lbs. | 110 to 116 lbs. | w/900-18354 attached |
| 84S-100-1 | 58 to 62 lbs. | 116 to 124 lbs. | w/60-518 attached |
| 84S-100-5 | 58 to 62 lbs. | 116 to 124 lbs. | w/900-18354 attached |
| 84S-110-1 | 62 to 64 lbs. | 124 to 128 lbs. | w/60-518 attached |
| 84S-110-5 | 52 to 64 lbs. | 124 to 128 lbs. | w/900-18354 attached |

Optional End Brackets



900-18354

If ordering with our optional 900-18354 clip attached, Please add "-5" after the part number



60-518

If ordering with our optional 60-518 clip attached, Please add "-1" after the part number

**Contact Account Manager
For Pricing**