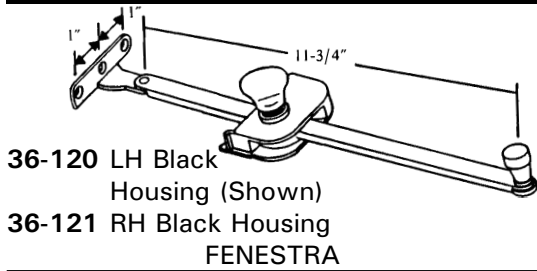


PUSH BARS

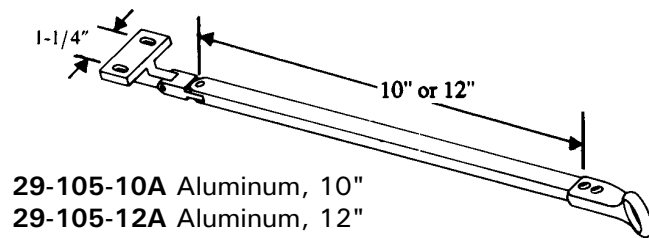
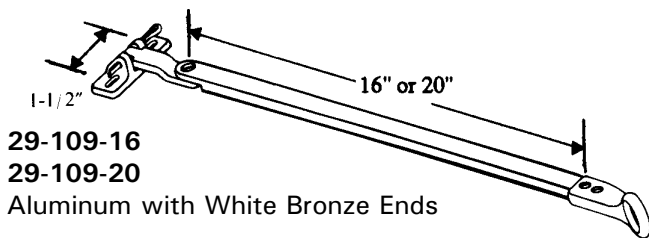
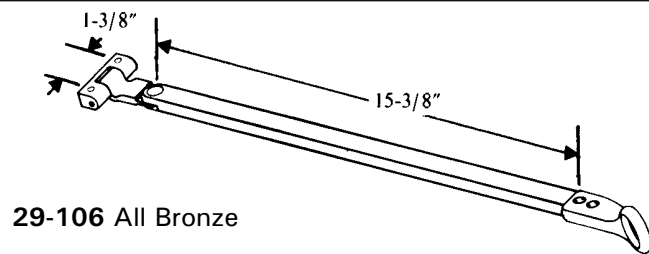
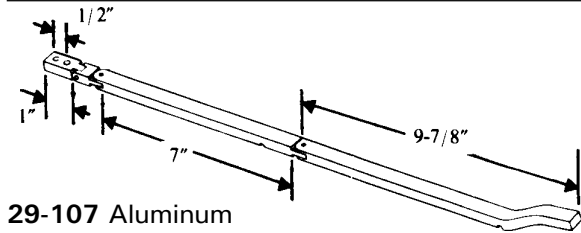


- 29-176-17 17" Shown
 - 29-176-20 20" Shown
 - 29-176-17N 17" Opposite
 - 29-176-20N 20" Opposite
- Arm Only

Pella

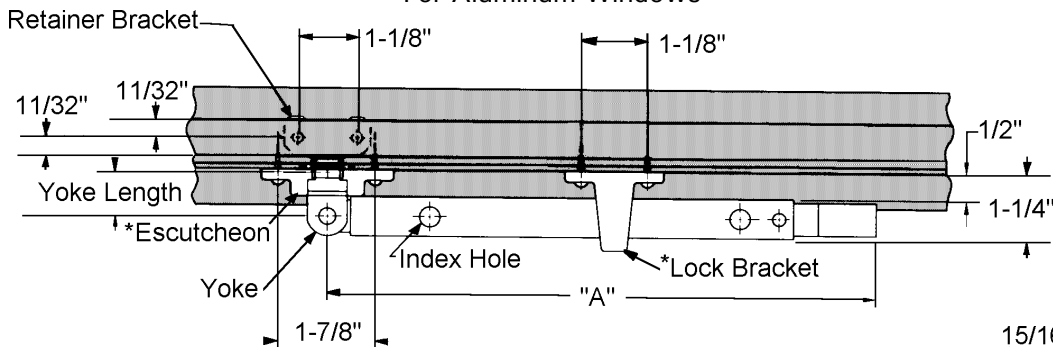


900-16011
Purchased Separately



TELESCOPING PUSHBAR

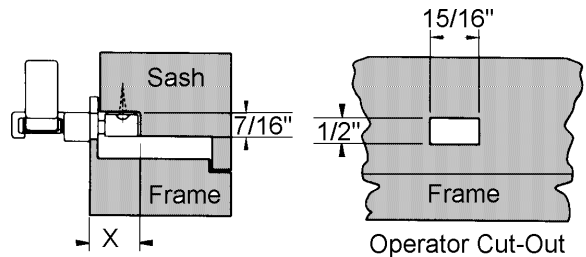
Anderberg 44AL Series
For Aluminum Windows



*These items can be purchased separately

39-158-7 Nylon Escutcheon

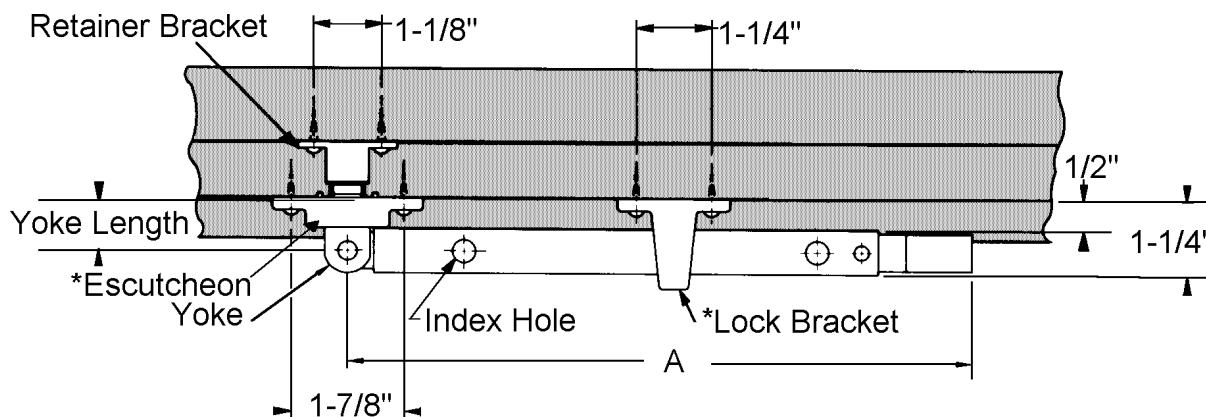
39-124-7 Lock Bracket



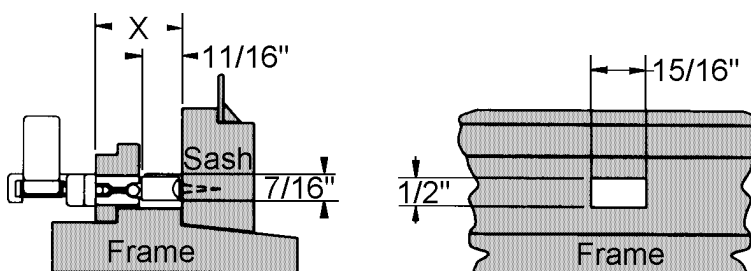
Truth Part#	Our Part#	X Dimension	Yoke Length	A	
				Closed	Extended
12-40-00-100	29-131-7	15/16"	25/32"	10-1/2"	16-1/4"
12-41-00-100	29-132-7	1"	27/32"	10-1/2"	16-1/4"
12-42-00-100	29-133-7	1"	27/32"	8"	11"
12-43-00-100	29-134-7	1-3/32"	15/16"	10-1/2"	16-1/4"
12-44-00-100	29-135-7	1-7/16"	1-9/32"	10-1/2"	16-1/4"
12-45-00-100	29-136-7	1-9/16"	1-13/32"	10-1/2"	16-1/4"
12-46-00-100	29-137-7	1-9/16"	1-13/32"	8"	11"

TELESCOPING PUSHBAR

Anderberg 44WD Series
For Wood Windows

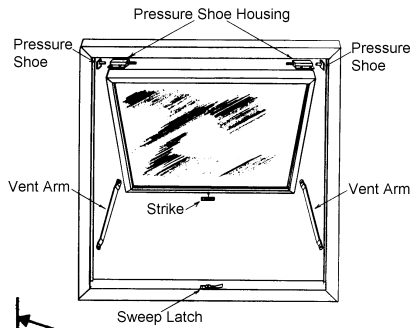


*These items can be purchased separately
39-158-7 Nylon Escutcheon 39-124-7 Lock Bracket

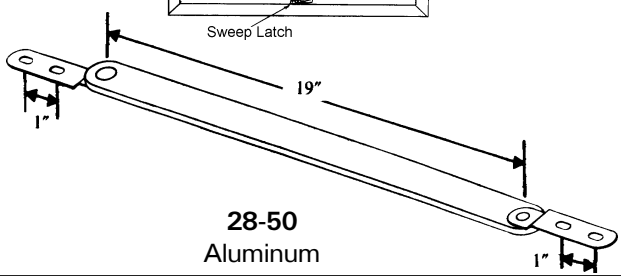


Truth Part#	Our Part#	X Dimension	Yoke Length	A	
				Closed	Extended
12-47-00-100	29-140-7	15/16"	25/32"	10-1/2"	16-1/4"
12-48-00-100	29-142-7	15/16"	25/32"	8"	11"
12-49-00-100	29-144-7	1"	27/32"	10-1/2"	16-1/4"
12-50-00-100	29-145-7	1"	27/32"	8"	11"
12-51-00-100	29-146-7	1-7/16"	1-9/32"	10-1/2"	16-1/4"
12-52-00-100	29-150-7	1-7/16"	1-9/32"	8"	11"
12-53-00-100	29-152-7	1-9/16"	1-13/32"	10-1/2"	16-1/4"
12-54-00-100	29-153-7	2"	27/32"	8"	11"
12-55-00-100	29-154-7	2-1/8"	1-31/32"	10-1/2"	16-1/4"
12-56-00-100	29-156-7	2-1/8"	1-31/32"	8"	11"

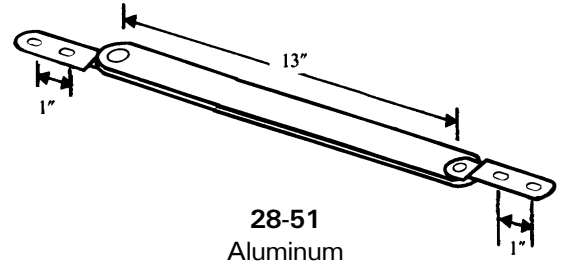
VENT ARMS WITH BRACKETS



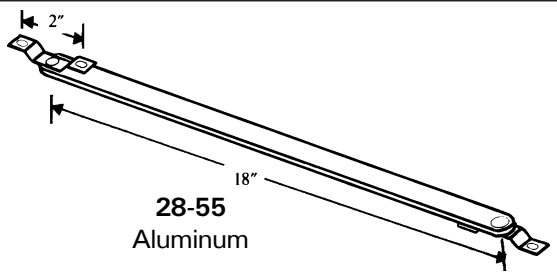
Our machine shop facilities can duplicate a variety of sizes and shapes of vent arms. The drawings below are just a representation of the various vent arms that are available. Please send us your sample so we can provide an exact replacement.



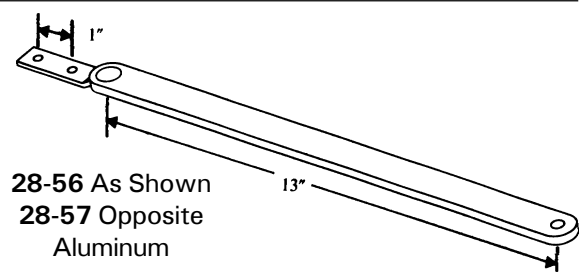
28-50
Aluminum



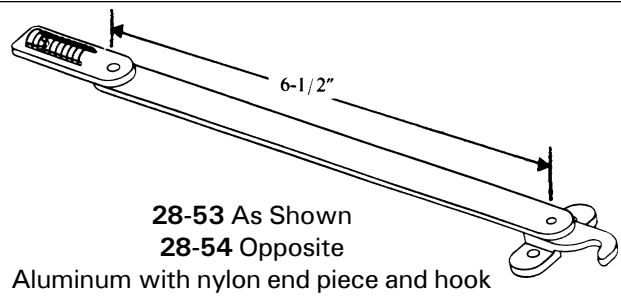
28-51
Aluminum



28-55
Aluminum

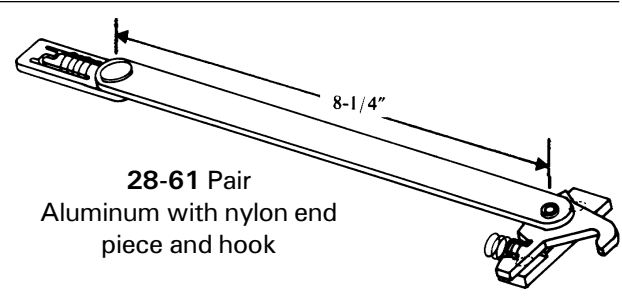


28-56 As Shown
28-57 Opposite
Aluminum

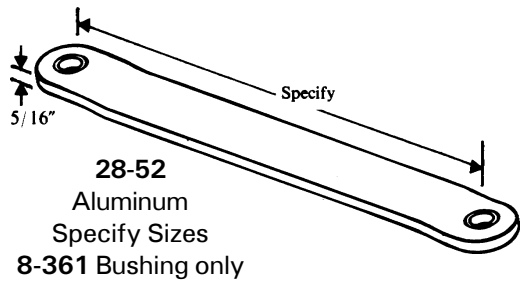


28-53 As Shown
28-54 Opposite

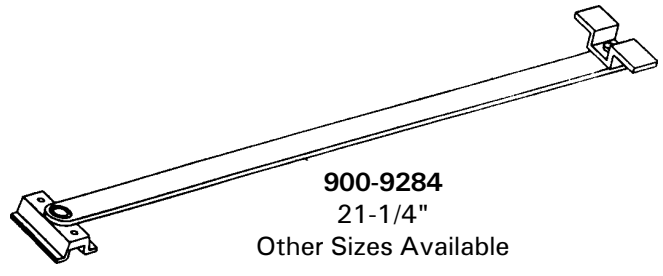
Aluminum with nylon end piece and hook



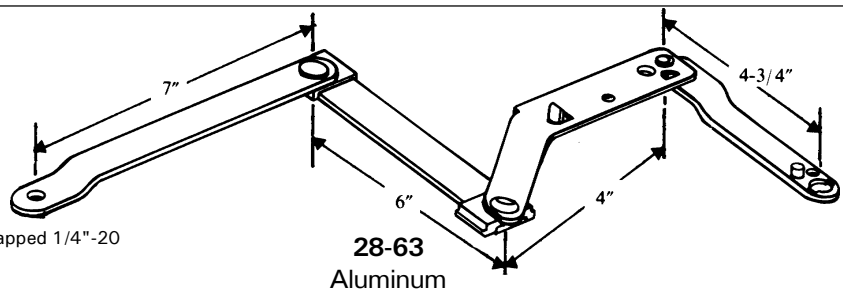
28-61 Pair
Aluminum with nylon end piece and hook



28-52
Aluminum
Specify Sizes
8-361 Bushing only



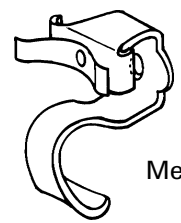
900-9284
21-1/4"
Other Sizes Available



Hole Tapped 1/4"-20

28-63
Aluminum

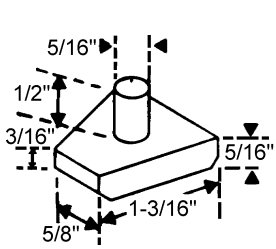
FINGER PULL



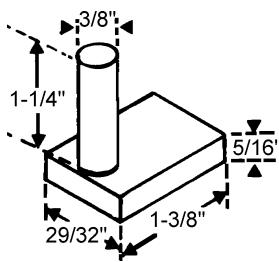
28-64
Metal, Black

PRESSURE SHOES & HOUSINGS

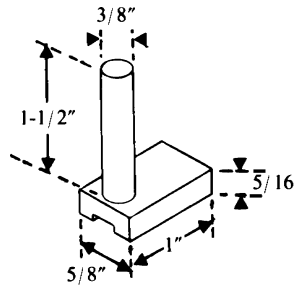
This page is just a representation of the many pressure shoes and housings that we offer.
 Ask your Account Manager to fax or mail additional drawings.
 Our machine shop facilities can custom make most variations if samples are provided.



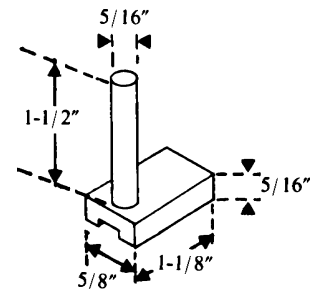
26-81



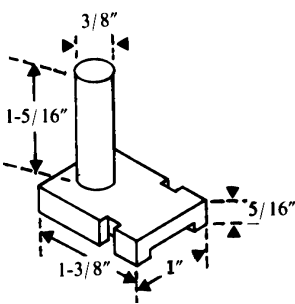
26-118



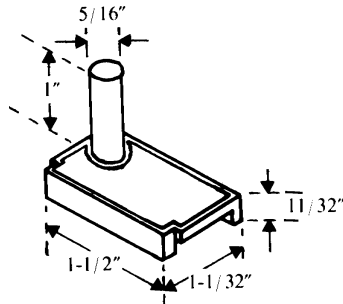
26-117



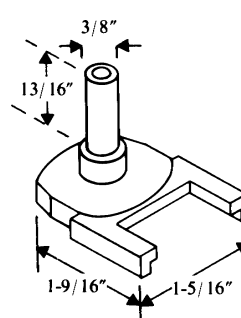
26-101



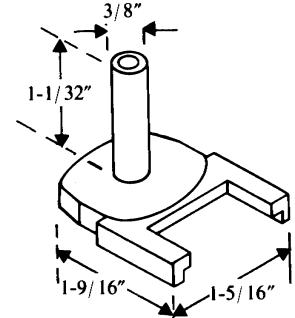
26-68



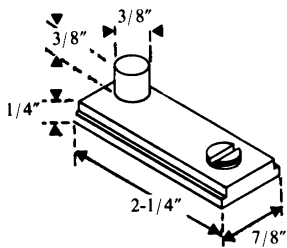
26-121 RH Shown
 26-120 LH Opposite



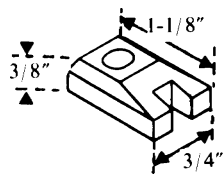
26-103



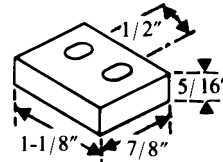
26-104



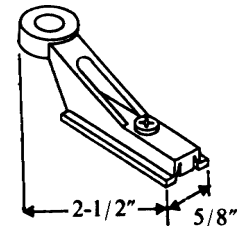
26-59 RH Shown
 26-58 LH Opposite



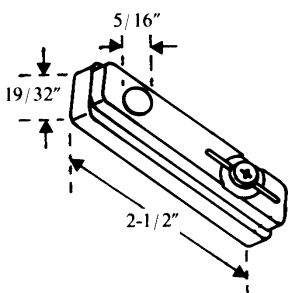
26-74



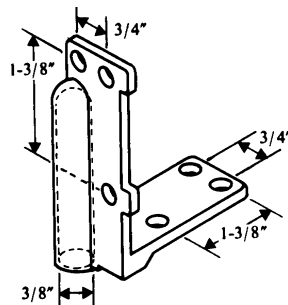
26-76



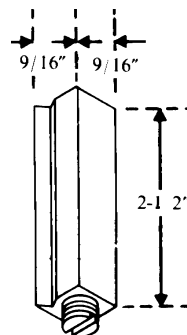
26-102



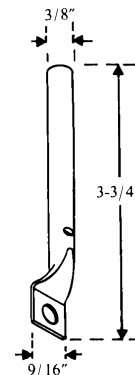
26-122



26-129 RH Shown
 26-128 LH Opposite



26-113
 Aluminum



26-82
 Brass

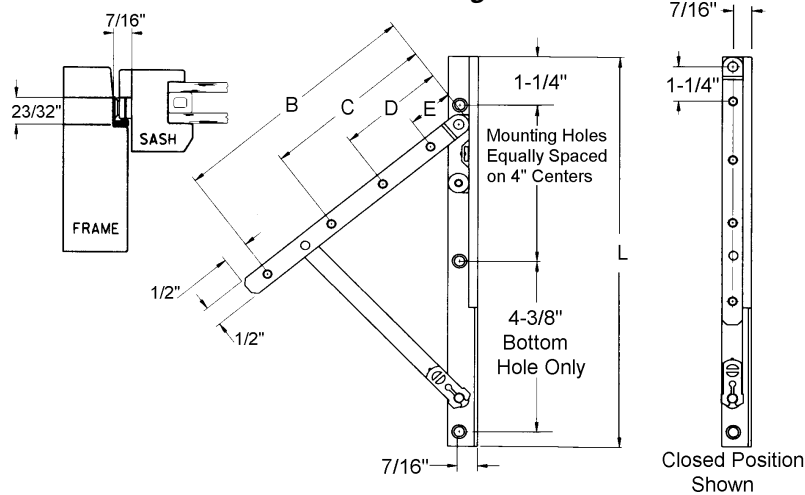
HINGES



TRUTH 13 AWNING HINGES

Steel		Sash Height	Maximum Sash Weight	Hinge Length		"C"	"D"	"E"
Truth Part#	Our Part#			"L"	"B"			
13-13	28-10-14 LH&RH	10"-14"	7 lbs.	10"	6-1/4"	4-1/4"	2-5/8"	1-1/4"
13-43	28-10-14LHSSA&RHSSA (Stainless Steel)	10"-14"	7 lbs.	10"	6-1/4"	4-1/4"	2-5/8"	1-1/4"
13-14	28-14-14 LH&RH	14"-19"	20 lbs.	14"	6-1/4"	4-1/4"	2-5/8"	1-1/4"
13-15	28-18-14 LH&RH	19"-26"	38 lbs.	18"	8-1/4"	6-1/4"	2-5/8"	1-1/4"
13-16	28-22-14 LH&RH	26"-34"	50 lbs.	22"	10-1/4"	6-1/4"	2-5/8"	1-1/4"
13-17	28-26-14 LH&RH	34"-42"	61 lbs.	26"	12-1/4"	8-1/4"	5-7/16"	2-5/8"

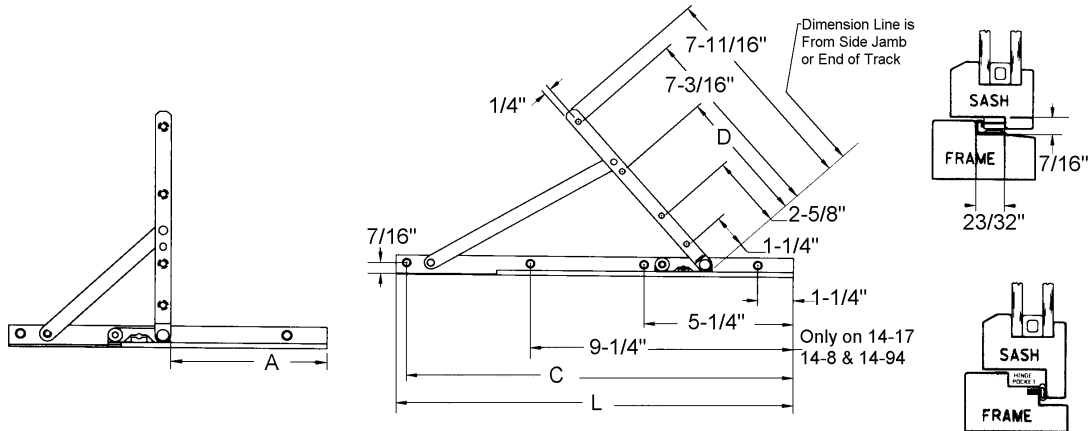
Please Contact Your Account Manager For Stainless Steel Hinges



TRUTH 14 CONCEALED HINGES

Truth Part#	Our Part#	"A"	"C"	"D"	"L"	Arm & Rivet	Attachment
14-75	28-15-5(LL-UR) / 28-15-6(UL-LR)	4-29/32"	9-5/8"	4-15/16"	10"	Steel	Snap
14-76	28-15-7(LL-UR) / 28-15-8(UL-LR)	5-17/32"	9-5/8"	4-15/16"	10"	Steel	Stud
14-77	28-15-9(LL-UR) / 28-15-10(UL-LR)	2-9/32"	9-5/8"	4-15/16"	10"	Steel	
14-17	28-15-1(LL-UR) / 28-15-2(UL-LR)	6-15/16"	13-5/8"	4-25/32"	14"	Steel	

Please Contact Your Account Manager For Stainless Steel Hinges

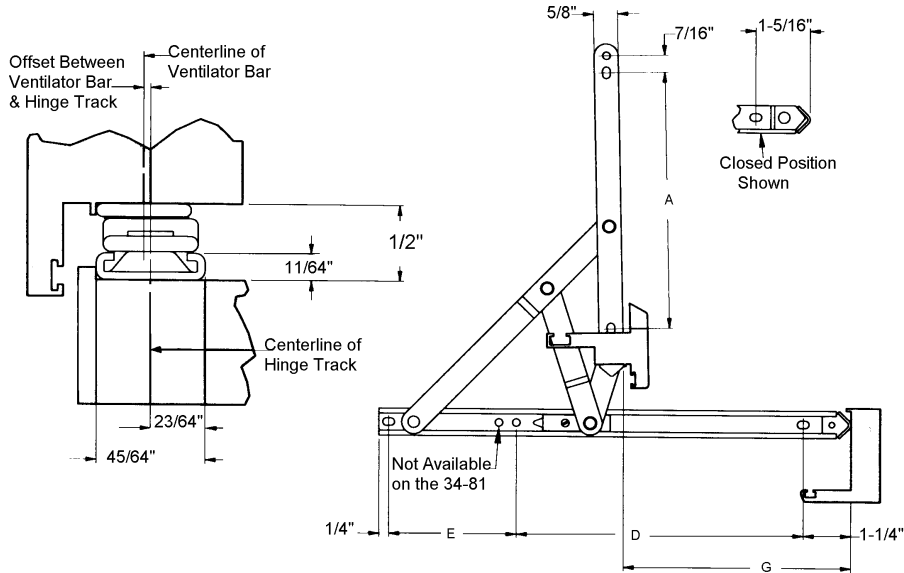


STAINLESS STEEL 4-BAR HINGES



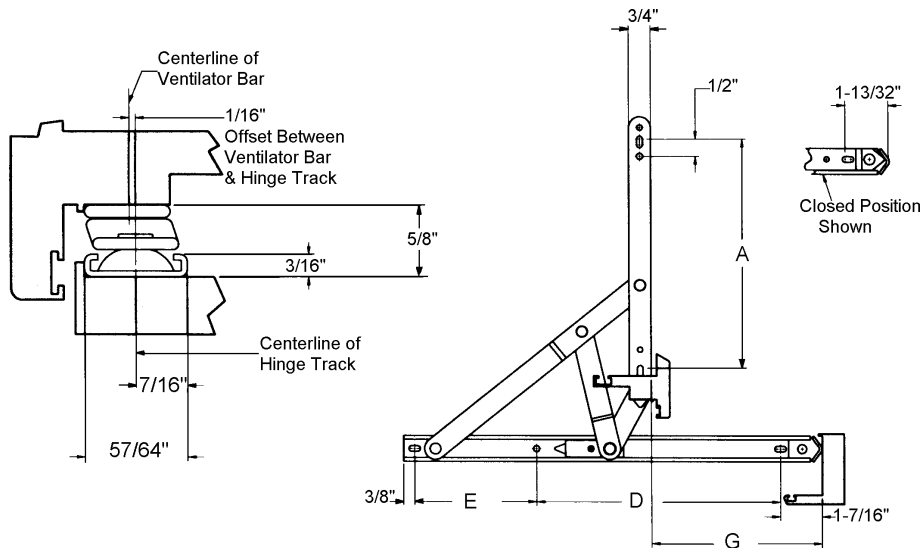
TRUTH STANDARD DUTY (90°) CASEMENT HINGES Anderberg 401 Series

Truth Part#	Our Part#	Hinge Length	"A"	"D"	"E"	"G"
34-55	28-12-12-0	12"	6-3/4"	7-15/32"	3-5/16"	5-15/16"
34-81	28-12-15-0	12"	6-3/4"	8-15/16"	1-27/32"	4-21/32"
34-56	28-14-12-0	14"	7-9/32"	8-5/32"	4-5/8"	6-3/16"
34-57	28-16-12-0	16"	7-25/32"	8-25/32"	6"	6-21/32"
34-58	28-18-12-0	18"	8-5/16"	9-3/8"	7-13/32"	7-1/8"



TRUTH HEAVY DUTY (90°) CASEMENT HINGES Anderberg 601 Series

Truth Part#	Our Part#	Hinge Length	"A"	"D"	"C"	"L"
34-59	28-14-13-0	14"	8"	8-13/32"	4-3/16"	6"
34-60	28-16-13-0	16"	8"	7-29/32"	6-11/16"	5-5/8"
34-61	28-18-13-0	18"	8"	7-21/32"	8-15/16"	5-7/16"

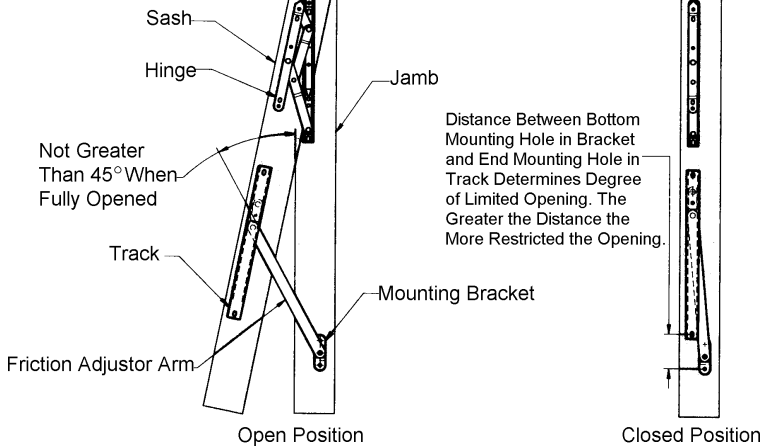


SASH CONTROL DEVICES

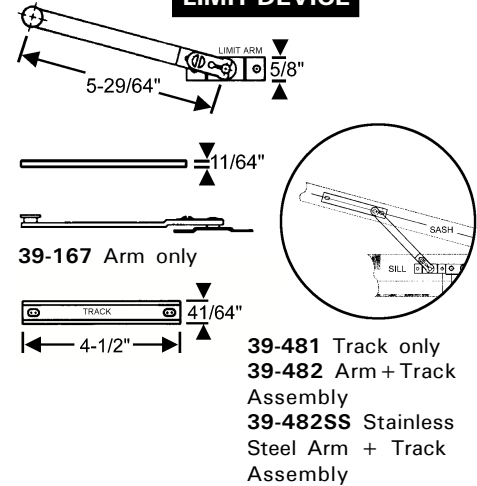


TRUTH FRICTION ADJUSTORS

Application



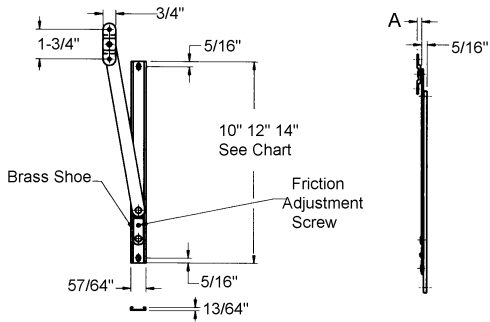
LIMIT DEVICE



TRUTH HEAVY DUTY FRICTION ADJUSTORS Anderberg FA33SS Series

Truth Part#	Our Part#	Track* Length	Standard Brackets
37-41-00-100	28-10-10-0	10"	.235
37-42-00-100	28-12-10-0	12"	.235
37-43-00-100	28-14-10-0	14"	.235

*Bar length is always 2" shorter than track length.
Must specify bracket height from chart if not a standard bracket. Please contact Account Manager for correct part number.

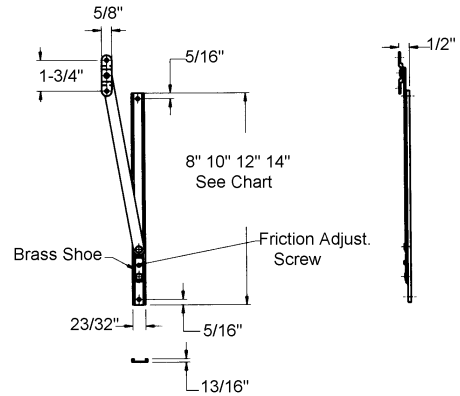


Available Bracket Height A	Stack Height
7/64"	15/32"
11/64"	17/32"
*15/64"	19/32"
27/64"	25/32"
*Standard	

TRUTH STANDARD DUTY FRICTION ADJUSTORS Anderberg FA22SS Series

Truth Part#	Our Part#	Track* Length	Standard Brackets
37-35-00-100	28-8-9-00	8"	.235
37-36-00-100	28-10-9-00	10"	.235
37-37-00-100	28-12-9-00	12"	.235
37-38-00-100	28-14-9-00	14"	.235

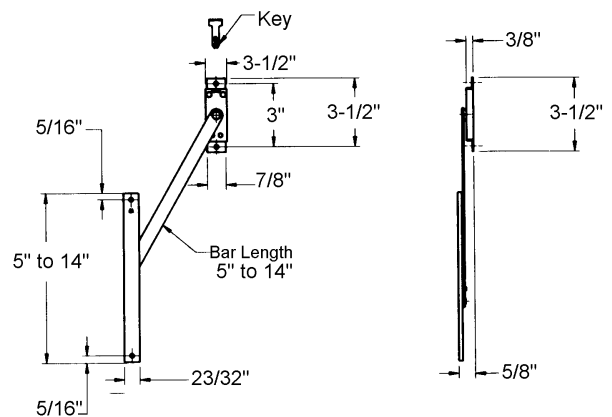
*Bar length is always 2" shorter than track length.



TRUTH STANDARD DUTY LIMIT DEVICE WITH KEY RELEASE Anderberg FA220SS Series

Truth Part#	Our Part#	Track Length	Bar Length
37-26-00-100	28-5-11-0	5"	5"
37-27-00-100	28-6-11-0	6"	6"
37-28-00-100	28-7-11-0	7"	7"
37-29-00-100	28-8-11-0	8"	8"
37-30-00-100	28-9-11-0	9"	9"
37-31-00-100	28A-10-11-0	10"	8"
37-31-00-101	28-10-11-0	10"	10"
37-32-00-100	28-11-11-0	11"	11"
37-33-00-100	28B-12-10-0	12"	6"
37-33-00-101	28B-12-11-0	12"	10"
37-33-00-102	28-12-11-0	12"	12"
37-34-00-100	28A-14-11-0	14"	12"
37-34-00-101	28-14-11-0	14"	14"

If a bracket is not specified it comes with the standard 15/64" bracket.



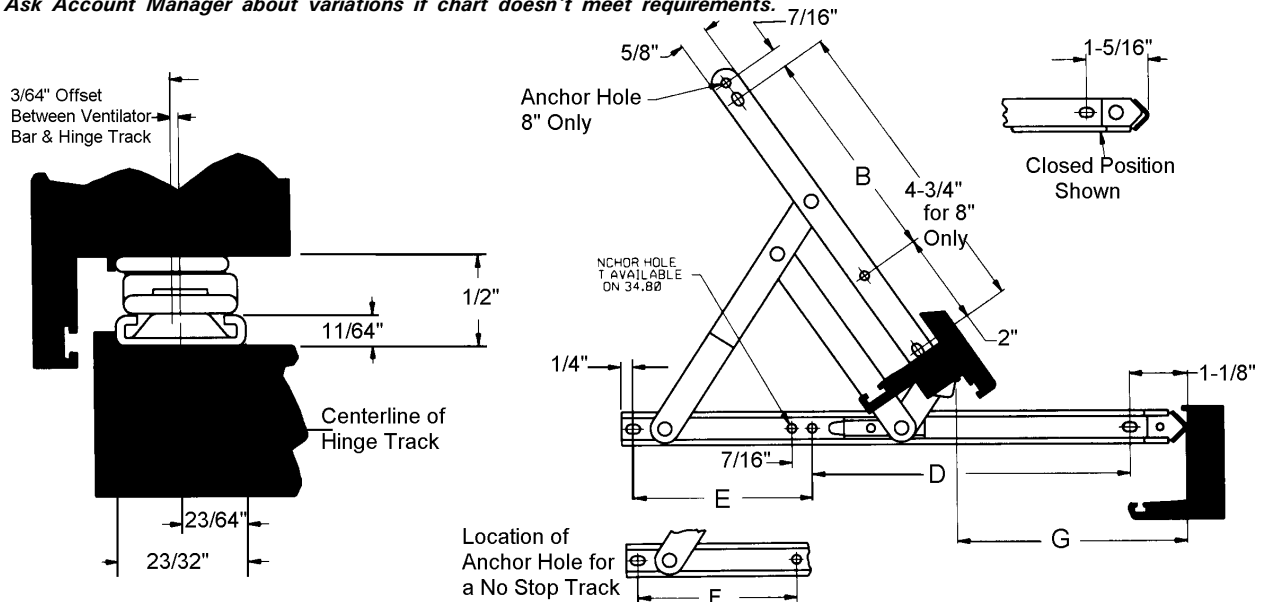
STANDARD DUTY 4-BAR HINGES



Anderberg 201 Series

Material	Length	Truth Part#	Our Part#	Stop/No Stop	Ventilator	Track "D"	Std. Stop "E"	No-Stop Track "F"	"G"		Degree of Opening	
					Bar "B"				Std. Stop "E"	No Stop	Std. Stop	No Stop
SS	8"	34-10-00-101	28-8-2-03	Stop	N/A	5-5/32"	1-5/8"	1-1/4"	3"	4-1/4"	54°	65°
SS	8"	34-10-00-102	28-8-2-10	No Stop	N/A	5-5/32"	1-5/8"	1-1/4"	3"	4-1/4"	54°	65°
ST	8"	34-17-00-104	28-8-1-03	Stop	N/A	5-5/32"	1-5/8"	1-1/4"	3"	4-1/4"	54°	65°
ST	8"	34-17-00-103	28-8-1-10	No Stop	N/A	5-5/32"	1-5/8"	1-1/4"	3"	4-1/4"	54°	65°
SS	10"	34-11-00-102	28-10-2-07	Stop	3-3/4"	6-1/32"	2-3/4"	2"	4"	5-13/32"	55°	65°
SS	10"	34-11-00-101	28-10-2-10	No Stop	3-3/4"	6-1/32"	2-3/4"	2"	4"	5-13/32"	55°	65°
ST	10"	34-18-00-100	28-10-1-03	Stop	3-3/4"	6-1/32"	2-3/4"	2"	4"	5-13/32"	55°	65°
ST	10"	34-18-00-101	28-10-1-10	No stop	3-3/4"	6-1/32"	2-3/4"	2"	4"	5-13/32"	55°	65°
SS	12"	34-12-00-100	28-12-2-07	Stop	4-3/4"	6-29/32"	3-7/8"	3"	4-7/8"	6-1/2"	55°	65°
SS	12"	34-12-00-101	28-12-2-10	No Stop	4-3/4"	6-29/32"	3-7/8"	3"	4-7/8"	6-1/2"	55°	65°
ST	12"	34-19-00-104	28-12-1-07	Stop	4-3/4"	6-29/32"	3-7/8"	3"	4-7/8"	6-1/2"	55°	65°
ST	12"	34-19-00-103	28-12-1-10	No stop	4-3/4"	6-29/32"	3-7/8"	3"	4-7/8"	6-1/2"	55°	65°
SS	14"	34-13-00-102	28-14-2-07	Stop	5-3/4"	7-25/32"	5"	3-3/4"	5-3/4"	7-23/32"	55°	65°
SS	14"	34-13-00-101	28-14-2-10	No Stop	5-3/4"	7-25/32"	5"	3-3/4"	5-3/4"	7-23/32"	55°	65°
ST	14"	34-20-00-100	28-14-1-07	Stop	5-3/4"	7-25/32"	5"	3-3/4"	5-3/4"	7-23/32"	55°	65°
ST	14"	34-20-00-101	28-14-1-10	No Stop	5-3/4"	7-25/32"	5"	3-3/4"	5-3/4"	7-23/32"	55°	65°
SS	16"	34-14-00-100	28-16-2-07	Stop	6-3/4"	8-21/32"	6-1/8"	4-1/2"	6-1/8"	8-7/8"	55°	65°
SS	16"	34-14-00-101	28-16-2-10	No Stop	6-3/4"	8-21/32"	6-1/8"	4-1/2"	6-1/8"	8-7/8"	55°	65°
ST	16"	34-21-00-102	28-16-1-07	Stop	6-3/4"	8-21/32"	6-1/8"	4-1/2"	6-1/8"	8-7/8"	55°	65°
ST	16"	34-21-00-101	28-16-1-10	No Stop	6-3/4"	8-21/32"	6-1/8"	4-1/2"	6-1/8"	8-7/8"	55°	65°
SS	18"	34-15-00-102	28-18-2-07	Stop	7-3/4"	9-17/32"	7-1/4"	5-1/4"	7-7/16"	10"	55°	65°
SS	18"	34-15-00-101	28-18-2-10	No Stop	7-3/4"	9-17/32"	7-1/4"	5-1/4"	7-7/16"	10"	55°	65°
ST	18"	34-22-00-100	28-18-1-07	Stop	7-3/4"	9-17/32"	7-1/4"	5-1/4"	7-7/16"	10"	55°	65°
ST	18"	34-22-00-101	28-18-1-10	No Stop	7-3/4"	9-17/32"	7-1/4"	5-1/4"	7-7/16"	10"	55°	65°
SS	20"	34-16-00-100	28-20-2-07	Stop	8-3/8"	10-13/32"	8-3/8"	6-1/4"	8-9/32"	11-5/32"	55°	65°
SS	20"	34-16-00-101	28-20-2-10	No Stop	8-3/8"	10-13/32"	8-3/8"	6-1/4"	8-9/32"	11-5/32"	55°	65°
ST	20"	34-23-00-102	28-20-1-07	Stop	8-3/8"	10-13/32"	8-3/8"	6-1/4"	8-9/32"	11-5/32"	55°	65°
ST	20"	34-23-00-101	28-20-1-10	No Stop	8-3/8"	10-13/32"	8-3/8"	6-1/4"	8-9/32"	11-5/32"	55°	65°

*Note - Ask Account Manager about variations if chart doesn't meet requirements.



HEAVY DUTY 4-BAR HINGES



Anderberg 301 Series 301SS - 301ST - 301AL Series

DUE TO THE COMPLEXITY OF TRUTHS PART NUMBERS ON THIS SERIES, PLEASE DETERMINE TRUTH'S PART NUMBER AND NOTIFY YOUR ACCOUNT MANAGER WHO WILL THEN PROVIDE OUR PART NUMBER.

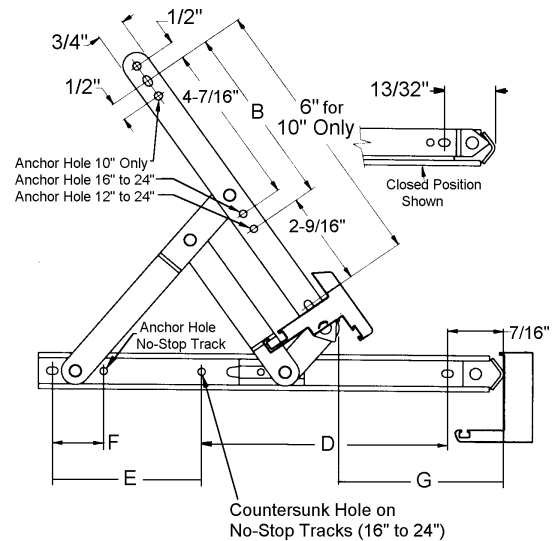
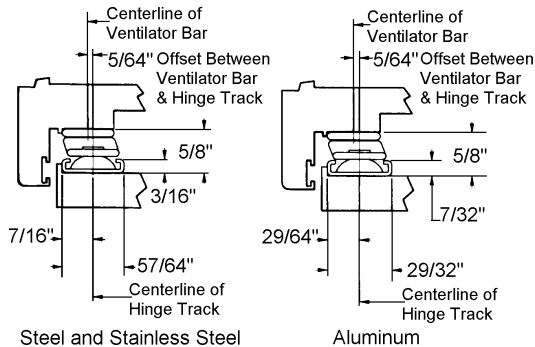
Part Number Guide

Mat'l	Size	Truth Part #	Stop	No Stop	Loose Rivets	Alum. Hinges Only												
						.125 Shim	.187 Shim	.250 Shim	.312 Shim	SS Track	SS Track & Rivets	Reinforced Support Arm	.218 Track Shim	.250 Shim	.350 Track	.385 Track		
SS	10"	34-24-00	100	103	111 110	101	104	107	114	115								
ST	10"	34-33-00	100	108		101	110	103			106	107						
AL	10"	34-41-00												100	102	103	105	106
SS	12"	34-25-00	111	109	110 112	107	106	105		102								
*SS	12"	34-85-00			100													
ST	12"	34-34-00	106			105				101	100							
AL	12"	32-42-00											104	103	102	101		
SS	14"	34-26-00	100	102		101		106	110	107								
ST	14"	34-35-00	100			103		101			102	106						
AL	14"	34-43-00											100	101	102	103	105	
SS	16"	34-27-00	104	102	105	101			100									
ST	16"	34-36-00	103			102					100	104						
AL	16"	34-44-00											102				101	100
SS	18"	34-28-00	100	104		101	105		109								101	
ST	18"	34-37-00	100		104	103		102			101	105						
AL	18"	34-45-00											100				101	
SS	20"	34-29-00	107	106	101	105		103	102									
ST	20"	34-38-00	107	106	101							100						
AL	20"	34-46-00											103				102	101
SS	24"	34-31-00	106	104		101		105										
ST	24"	34-39-00	100	101				102										
SS	28"	34-86-00	100															

dark gray vertical columns Denote hinges without stops (maximum opening)
* Denotes hinges with a black acetal shoe

Example of Part Numbering System

Product No.	Model	Finish	Assembly
34	24	00	100
4-Bar Hinge	Heavy Duty 10" Length	No Decorative Finish	w/stop std. open (Hinge Feature)



Truth Part No.			Hinge Length	Vent Height Range	Maximum Vent Wt.	Ventlator Bar B	Track D	Std. Stop E	No-Stop Track F	G		Degree Of Opening	
SS	ST	AL								Std. Stop	No Stop	Std. Stop	No Stop
34-24	34-33	34-41	10"	12"-20"	58	N/A	6-11/32"	2-1/4"	1-3/8"	4"	6 1/4"	58°	77°
34-25	34-34	34-42	12"	20"-25"	73	4-15/16"	6-19/32"	4"	1-5/8"	4-1/4"	7-3/4"	52°	77°
N/A	34-85	N/A	12"	-	-	4-15/16"	8-27/32"	1-49/64"	N/A	6-7/8"	N/A	76°	N/A
34-26	34-35	34-43	14"	23"-29"	85	5-15/16"	6-15/16"	5-21/32"	2-1/8"	4-1/4"	9-1/4"	48°	77°
34-27	34-26	34-44	16"	25"-34"	99	6-15/16"	7-21/32"	6-15/16"	2-5/8"	5-3/32"	10-3/4"	49°	77°
34-28	34-37	34-45	18"	32"-37"	108	7-15/16"	8-9/32"	8-5/16"	8-1/8"	5-3/4"	12-1/4"	49°	77°
34-29	34-38	34-46	20"	34"-40"	117	8-15/16"	8-31/32"	9-5/8"	3-5/8"	6-7/16"	13-13/16"	49°	77°
34-31	34-39	N/A	24"	40"-44"	129	10-15/16"	9-3/32"	13-1/2"	4-5/8"	6-3/4"	16-7/8"	45°	77°
34-86	N/A	N/A	28"	50-64"	175	12-15/16"	9-19/32"	17"	N/A	7-1/2"	N/A	40°	N/A

ALUMINUM 4-BAR HINGES



Anderberg 77AL Series

DUE TO THE COMPLEXITY OF TRUTHS PART NUMBERS ON THIS SERIES, PLEASE DETERMINE TRUTH'S PART NUMBER AND NOTIFY YOUR ACCOUNT MANAGER WHO WILL THEN PROVIDE OUR PART NUMBER.

Part Number Guide

Mat'l	Size	Truth Part #	.218 Track			.350 Track			Vent Height Range	Maximum Vent Wt.	Degrees of Opening		
				.125 Shim	.187 Shim	.250 Shim		.125 Shim				.187 Shim	.385 Shim
AL	10"	34-47-00	100		102	103	104	101	105	107	12"-20"	58	63°
AL	12"	34-48-00	107		106	105	104		103	101	20"-23"	67	54°
AL	14"	34-49-00	100			101	102	105		104	23"-27"	79	50°
AL	16"	34-50-00	107		106	105	104		103	101	27"-30"	88	50°
AL	18"	34-51-00	100		101	102	103		104		30"-35"	102	50°
AL	20"	34-52-00	104			102	101	100		106	35"-40"	117	50°
AL	24"	34-54-00	104	103		102	105			107	40"-44"	129	45°

Example of Part Numbering System

Product No.	Model	Finish	Assembly
34	47	00	100
4-Bar Hinge	10" Length	No Decorative Finish	w/stop 63° .218 Track (Hinge Feature)

Truth Part #	Hinge Length	A	D	E	G
34-47	10"	1-13/16"	6-11/32"	2-1/4"	4"
34-48	12"	2-13/16"	6-19/32"	4"	4"
34-49	14"	3-13/16"	6-15/16"	5-21/32"	4-3/8"
34-50	16"	4-13/16"	7-21/32"	6-15/16"	5-1/4"
34-51	18"	5-13/16"	8-9/32"	8-5/16"	5-3/4"
34-52	20"	6-13/16"	8-31/32"	9-5/8"	6-1/4"
34-54	24"	8-13/16"	9-3/32"	13-1/2"	6-1/4"

