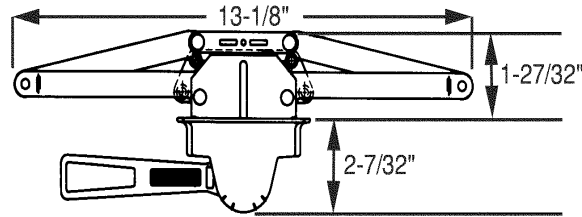


# OPERATORS

## LEVER OPERATORS

- 36-168-1 Bronze
- 36-168-2 Gold
- 36-168-3 White  
As Shown

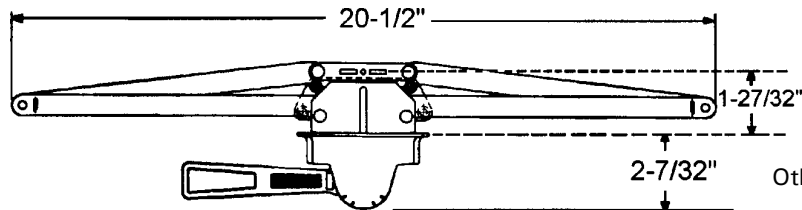
- 36-169-1 Bronze
- 36-169-3 White  
Opposite



Other Colors Available  
Handle shown in  
locked position

- 36-153-1 Bronze
- 36-153-2 Gold Finish
- 36-153-3 White
- 36-153-5 Brass Finish  
As Shown

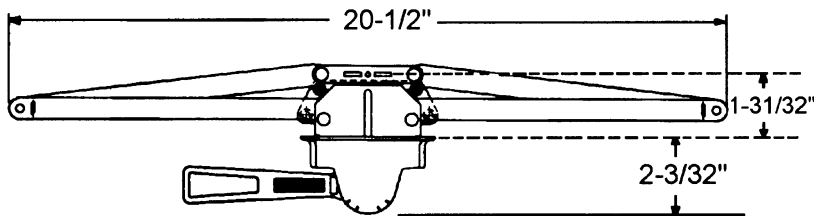
- 36-157-1 Bronze
- 36-157-2 Gold
- 36-157-3 White  
Opposite



Other Colors Available  
Handle shown in  
locked position

- 36-160-1 Bronze  
As Shown

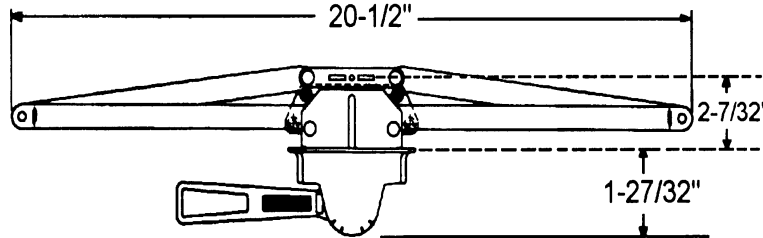
- 36-161-1 Bronze
- 36-161-2 Gold  
Opposite



Other Colors Available  
Handle shown in  
locked position

- 36-158-1 Bronze
- 36-158-2 Gold  
As Shown

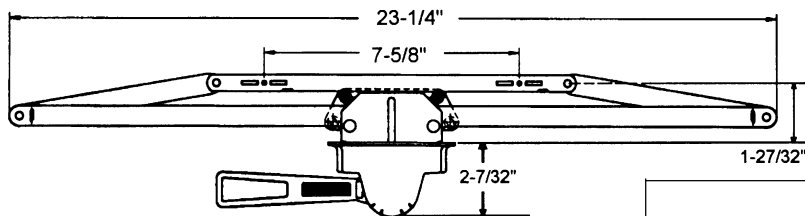
- 36-159-1 Bronze  
Opposite



Other Colors Available  
Handle shown in  
locked position

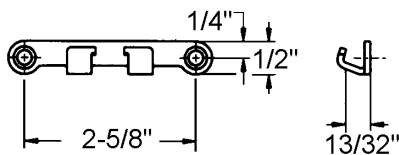
- 36-162-1 Bronze
- 36-162-2 Gold
- 36-162-3 White
- 36-162-4 Coppertone  
As Shown

- 36-163-1 Bronze
- 36-163-2 Gold
- 36-163-3 White
- 36-163-4 Coppertone  
Opposite

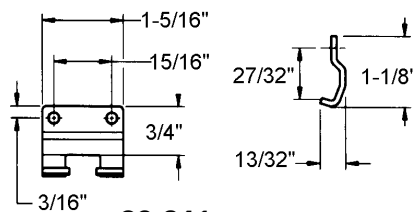


Other Colors Available  
Handle shown in  
locked position

## BRACKETS

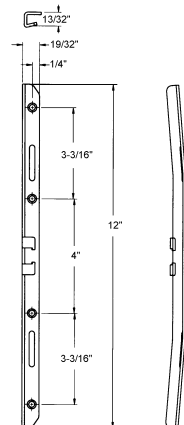


39-1

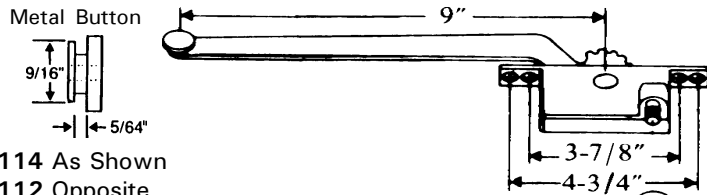


39-241

39-2



# STEEL CASEMENT OPERATORS

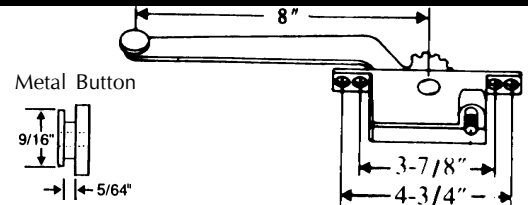


36-114 As Shown  
36-112 Opposite  
Aluminum  
Die Cast

36-115B Shown  
36-113B Opposite  
WCM Bronze  
Die Cast

36-114W Shown  
36-112W Opposite  
White  
Die Cast

Handle Included



36-110 As Shown  
36-104 Opposite  
Aluminum  
Die Cast

36-111 As Shown  
36-109 Opposite  
Brown  
Die Cast

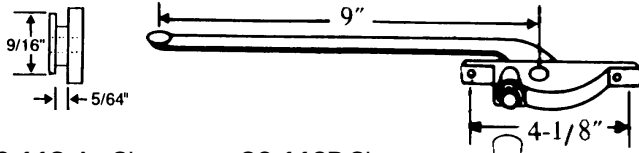
Handle Included

"T" Handles Only  
37-113 Alum  
37-113B Brown  
37-113W White

Additional Handles Only  
37-100 Alum  
37-101 Brown  
37-100W White

"T" Handles Only  
37-113 Alum  
37-113B Brown  
37-113W White

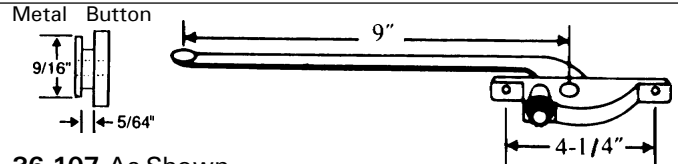
Additional Handles Only  
37-100 Alum  
37-101 Brown  
37-100W White



36-118 As Shown  
36-116 Opposite  
Aluminum  
Die Cast

36-119B Shown  
36-117B Opposite  
WCM Bronze  
Die Cast

Handle Included



36-107 As Shown  
36-105 Opposite  
Aluminum  
Die Cast

36-108 As Shown  
36-106 Opposite  
Brown  
Die Cast

Handle Included

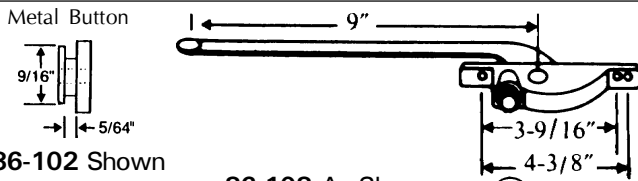
## HOPE'S SUBSTITUTE

"T" Handles Only  
37-106 Alum  
37-106B Brown

Additional Handles Only  
37-112 Alum  
37-111 Brown

"T" Handles Only  
37-106 Alum  
37-106B Brown

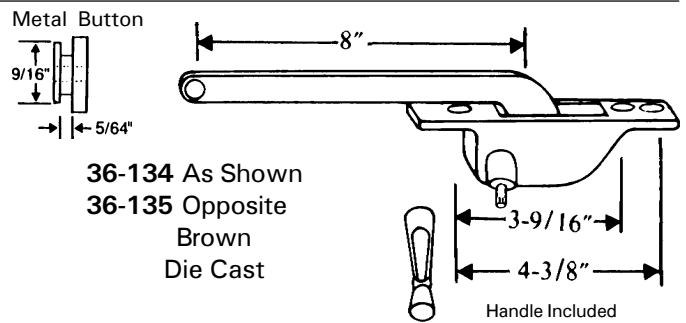
Additional Handles Only  
37-112 Alum  
37-111 Brown



36-102 Shown  
36-100 Opposite  
Aluminum  
Die Cast

36-103 As Shown  
36-101 Opposite  
Brown  
Die Cast

Handle Included



36-134 As Shown  
36-135 Opposite  
Brown  
Die Cast

Handle Included

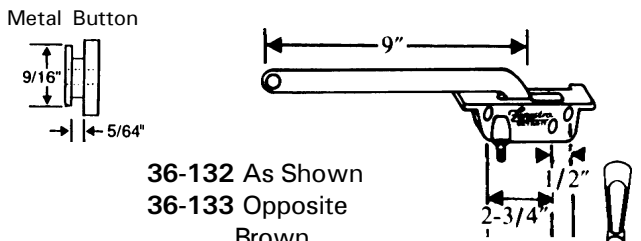
"T" Handles Only  
37-106 Alum  
37-106B Brown

Additional Handles Only  
37-112 Alum  
37-111 Brown

"T" Handle Only  
37-106B Brown

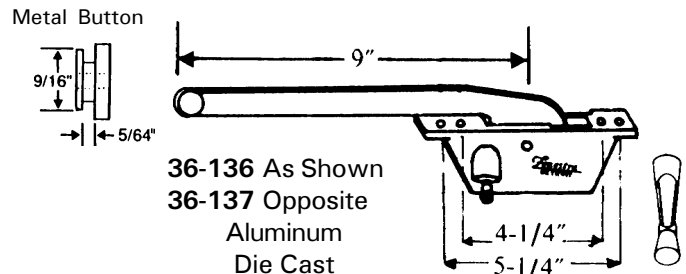
Additional Handle Only  
37-111 Brown

## THORN



36-132 As Shown  
36-133 Opposite  
Brown  
Die Cast

Handle Included



36-136 As Shown  
36-137 Opposite  
Aluminum  
Die Cast

"T" Handle Only  
37-106B Brown

Additional Handle Only  
37-111 Brown

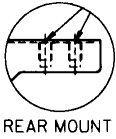
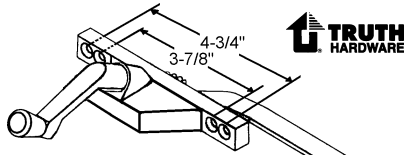
Fenestra

"T" Handle Only  
37-106 Alum

Additional Handle Only  
37-112 Alum

Handle Included  
Fenestra

# CASEMENT OPERATORS



REAR MOUNT

**Crank Handle Must Be Ordered Separately. See Chart page 82.**

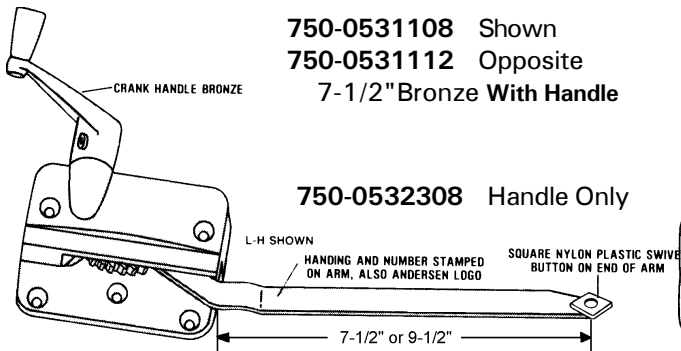
37-137-3 White  
 37-137-8 Chestnut Bronze  
 37-137-13 Brush Copper Nickel

Part #	Handing	Mounting	Arm Length	Color	Roller
36-230-8	Shown	Front	6"	Chestnut Bronze	Steel (Fixed Rivet)
36-231-8	Opposite	Front	6"	Chestnut Bronze	Steel (Fixed Rivet)
36-220-3	Shown	Front	9"	White	Stainless Steel
36-224-3	Shown	Rear	9"	White	Stainless Steel
36-220-8	Shown	Front	9"	Chestnut Bronze	Stainless Steel
36-224-8	Shown	Rear	9"	Chestnut Bronze	Stainless Steel
36-220-13	Shown	Front	9"	Brush Copper Nickel	Stainless Steel
36-224-13	Shown	Rear	9"	Brush Copper Nickel	Stainless Steel
36-221-3	Opposite	Front	9"	White	Stainless Steel
36-225-3	Opposite	Rear	9"	White	Stainless Steel
36-221-8	Opposite	Front	9"	Chestnut Bronze	Stainless Steel
36-225-8	Opposite	Rear	9"	Chestnut Bronze	Stainless Steel
36-221-13	Opposite	Front	9"	Brush Copper Nickel	Stainless Steel
36-225-13	Opposite	Rear	9"	Brush Copper Nickel	Stainless Steel
36-222-3	Shown	Front	11"	White	Stainless Steel
36-226-3	Shown	Rear	11"	White	Stainless Steel
36-222-8	Shown	Front	11"	Chestnut Bronze	Stainless Steel
36-226-8	Shown	Rear	11"	Chestnut Bronze	Stainless Steel
36-222-13	Shown	Front	11"	Brush Copper Nickel	Stainless Steel
36-226-13	Shown	Rear	11"	Brush Copper Nickel	Stainless Steel
36-223-3	Opposite	Front	11"	White	Stainless Steel
36-227-3	Opposite	Rear	11"	White	Stainless Steel
36-223-8	Opposite	Front	11"	Chestnut Bronze	Stainless Steel
36-227-8	Opposite	Rear	11"	Chestnut Bronze	Stainless Steel
36-223-13	Opposite	Front	11"	Brush Copper Nickel	Stainless Steel
36-227-13	Opposite	Rear	11"	Brush Copper Nickel	Stainless Steel

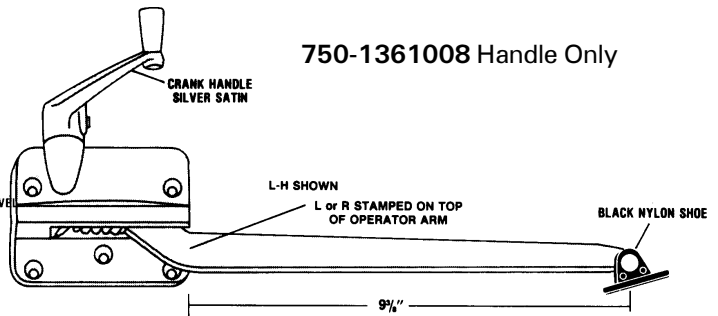
750-0566208 Shown  
 750-0566212 Opposite  
 9-1/2" Bronze With Handle



750-1360008 Shown  
 750-1360012 Opposite  
 Silver Satin  
**Must Order Handle Separately**



750-0531108 Shown  
 750-0531112 Opposite  
 7-1/2" Bronze With Handle



750-1361008 Handle Only

750-1361312 Shown  
 750-1361314 Opposite  
 Stone  
**Must Order Handle Separately**



750-1361308 Shown  
 750-1361310 Opposite  
 Stone  
**Must Order Handle Separately**



750-0532408 Handle Only

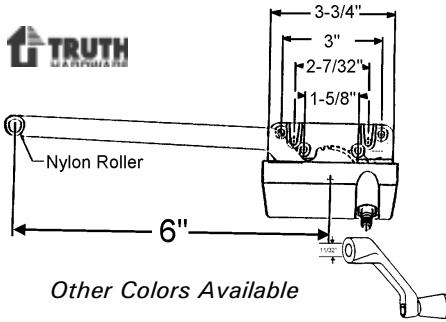


750-0532408 Handle Only

# CASEMENT OPERATORS

## Straight Arm

36-211-1S Bronze opposite  
36-213-1S Bronze shown

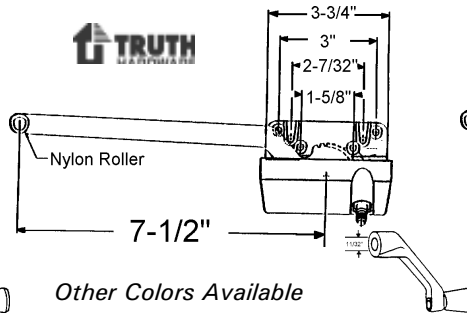


Other Colors Available

Crank Handle Must be Ordered Separately  
37-137-1 Bronze  
37-137-2 Gold  
37-137-3 White  
Other Colors Available. See Chart page 82.

## Straight Arm

36-216-1S Bronze opposite  
36-216-3 White shown

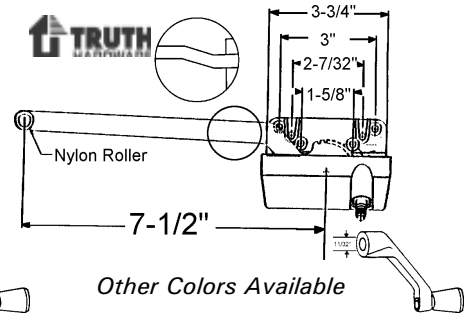


Other Colors Available

Crank Handle Must be Ordered Separately  
37-137-1 Bronze  
37-137-2 Gold  
37-137-3 White  
Other Colors Available. See Chart page 82.

## Offset Up

36-375-1 Bronze opposite  
36-375-3S White shown



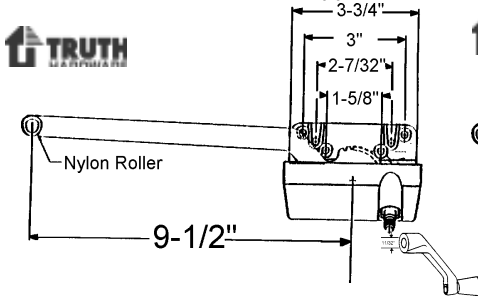
Other Colors Available

Crank Handle Must be Ordered Separately  
37-137-1 Bronze  
37-137-2 Gold  
37-137-3 White  
Other Colors Available. See Chart page 82.

## Straight Arm

36-128-1S Bronze  
36-128-2S Gold  
36-128-3S White Shown

36-129-1S Bronze Opposite  
36-129-2S Gold  
36-129-3 White

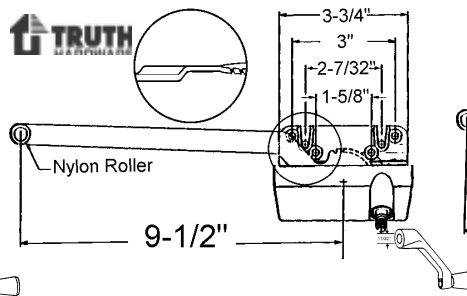


Crank Handle Must be Ordered Separately  
37-137-1 Bronze  
37-137-2 Gold  
37-137-3 White  
Other Colors Available. See Chart page 82.

## Offset Down

36-122-1S Bronze Shown  
36-122-2 Gold Shown

36-123-1S Bronze Opposite  
36-123-2 Gold Opposite

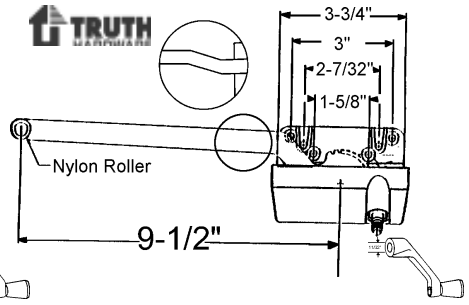


Crank Handle Must be Ordered Separately  
37-137-1 Bronze  
37-137-2 Gold  
37-137-3 White  
Other Colors Available. See Chart page 82.

## Offset Up

36-377-1S Bronze Shown  
36-377-3 White Shown

36-378-1 Bronze Opposite  
36-378-3 White Opposite

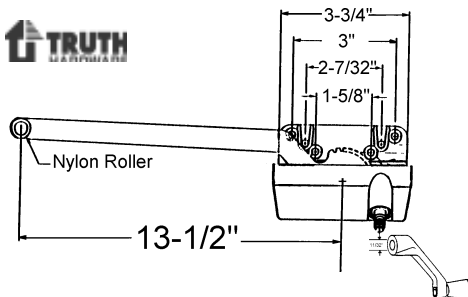


Crank Handle Must be Ordered Separately  
37-137-1 Bronze  
37-137-2 Gold  
37-137-3 White  
Other Colors Available. See Chart page 82.

## Straight Arm

36-152-1S Bronze  
36-152-2S Gold  
36-152-3S White Shown

36-154-1 Bronze Opposite  
36-154-2S Gold  
36-154-3 White

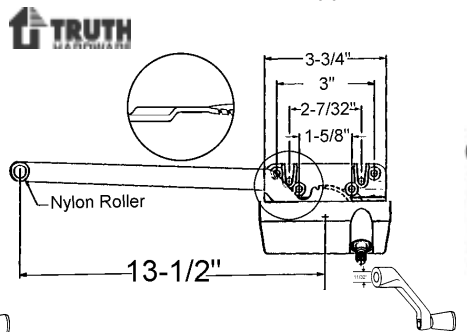


Crank Handle Must be Ordered Separately  
37-137-1 Bronze  
37-137-2 Gold  
37-137-3 White  
Other Colors Available. See Chart page 82.

## Offset Down

36-209-1S Bronze Shown  
36-209-2 Gold Shown

36-210-1S Bronze Opposite  
36-210-2 Gold Opposite

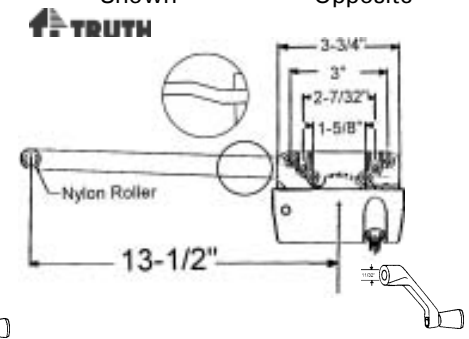


Crank Handle Must be Ordered Separately  
37-137-1 Bronze  
37-137-2 Gold  
37-137-3 White  
Other Colors Available. See Chart page 82.

## Offset Up

36-321-1 Bronze Shown  
36-321-3 White Shown

36-387-1 Bronze Opposite  
36-387-3 White Opposite



Crank Handle Must be Ordered Separately  
37-137-1 Bronze  
37-137-2 Gold  
37-137-3 White  
Other Colors Available. See Chart page 82.

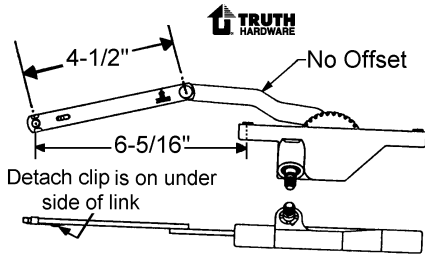
TOLL FREE 800-352-0800  
2003, SBI®

**strybuc**

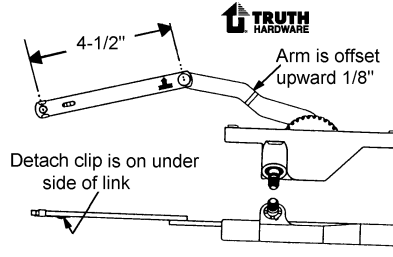
79

Return to Table of Contents

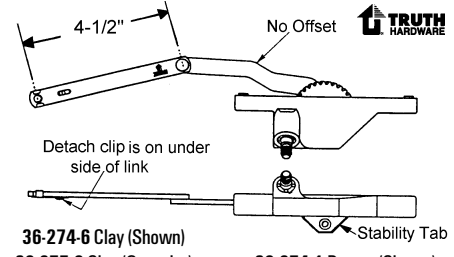
# CASEMENT HARDWARE



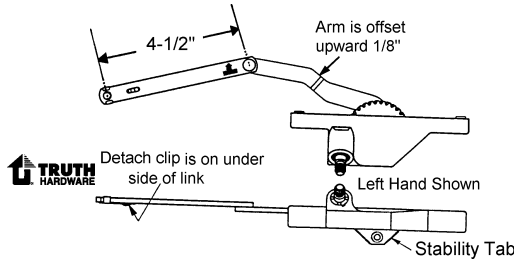
**36-254-6 LH Shown**  
**36-255-6 RH Opposite**  
 Clay  
 5" rear mount hole center



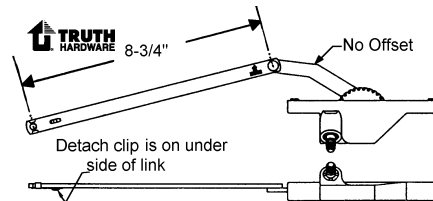
**36-256-8 Shown**  
**36-257-8 Opposite**  
 Chestnut Bronze  
 5" rear mount hole center



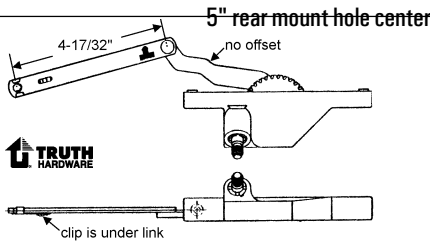
**36-274-6 Clay (Shown)**  
**36-275-6 Clay (Opposite)**  
**36-274-3 White (Shown)**  
**36-275-3 White (Opposite)**  
**36-274-9 Beige (Shown)**  
**36-275-9 Beige (Opposite)**  
**36-274-1 Bronze (Shown)**  
**36-275-1 Bronze (Opposite)**  
**36-274-8 Chestnut Bronze (Shown)**  
**36-275-8 Chestnut Bronze (Opposite)**  
 5" rear mount hole center



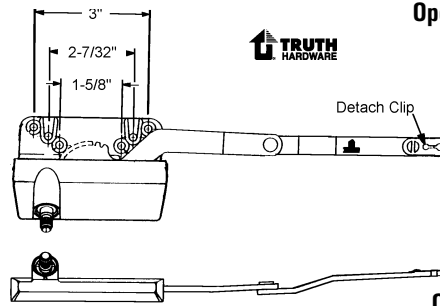
**36-276-4 Shown**  
**36-277-4 Opposite**  
 Coppertone



**36-252-3 Shown**  
**36-253-3 Opposite**  
 White  
**36-253-8 Opposite**  
 Chestnut Bronze  
**36-253-9 Opposite**  
 Beige  
 5" rear mount hole center



**36-244-3 White Shown**  
**36-245-3 White Opposite**  
**36-244-8 Chestnut Bronze Shown**  
**36-245-8 Chestnut Bronze Opposite**  
 5" rear mount hole center

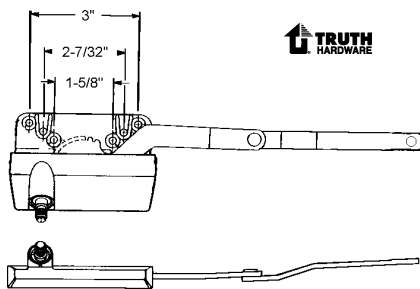


**Operators with detach clip on bottom of arm**

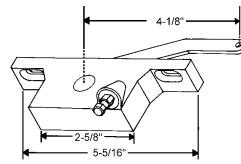
- 36-327-3 LH White Shown**
- 36-328-3 RH White Opposite**
- 36-327-4 LH Coppertone Shown**
- 36-328-4 RH Coppertone Opposite**
- 36-327-9 LH Beige Shown**
- 36-328-9 RH Beige Opposite**

**Operators with detach clip on top of arm**

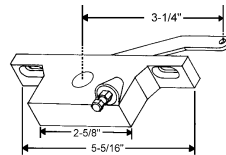
- 36-320-1 LH Bronze Shown - Not Available Use 36-206-1S**
- 36-319-1 RH Bronze Opposite - Not Available Use 36-205-1S**



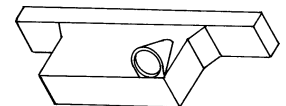
**Operators without detach clip**  
**36-205-(color) Shown**  
**36-206-(color) Opposite**  
 Uses: 39-21 & 39-22 Stud Brackets (found on page 188)



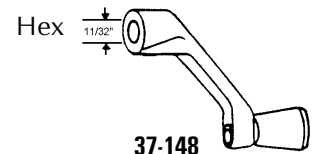
**36-333 LH Shown**  
**36-334 RH Opposite**



**36-333SP LH Shown**  
**36-334SP RH Opposite**



**36-333CV-3 LH Shown**  
**36-334CV-3 RH Opposite**  
 White plastic cover for Operator 36-333 & 36-334



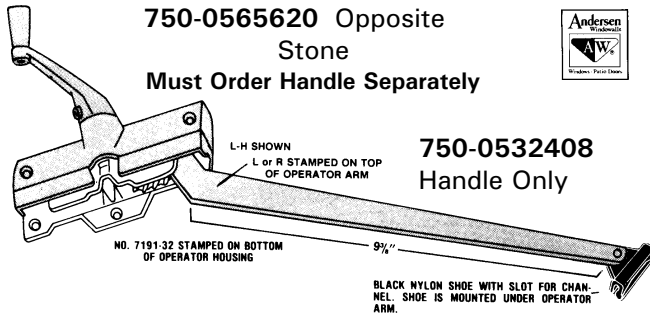
**37-148**  
 White Crank Handle w/Hex Broach

FOR CRANK HANDLES, SEE CHART ON PAGE 82

# OPERATORS

## WOOD CASEMENT OPERATORS

750-0565616 Shown  
750-0565620 Opposite  
Stone  
Must Order Handle Separately



750-0532408  
Handle Only

750-0531008 Shown  
750-0531012 Opposite  
8" Arm - Bronze With Handle  
750-0566008 Shown  
750-0566012 Opposite  
10" Arm - Bronze With Handle  
750-0532508 Handle Only  
Not Available Use 750-0532308

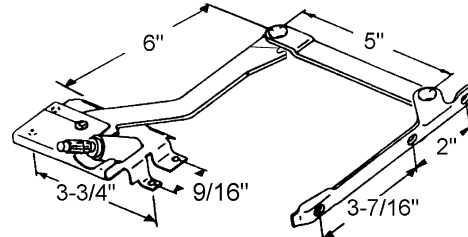


750-0536508 Shown  
750-0536512 Opposite  
Bronze  
With Handle



750-0532308 Handle Only

BRASS SWIVEL SHOE RIVETED TO END OF ARM.

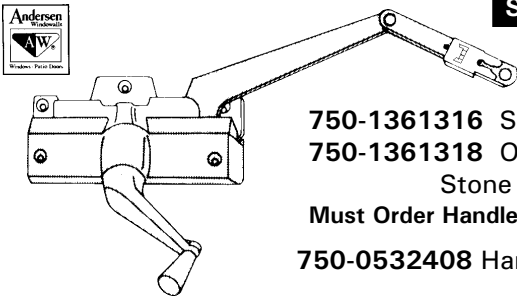


Must Order Handle Separately  
See Chart Page 82.

Pella

900-8865  
Shown  
900-8866  
Opposite  
900-8869  
Handle Only

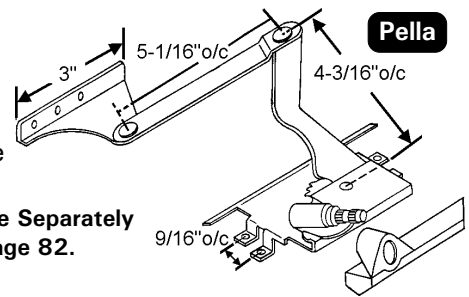
## SPLIT ARM OPERATORS



750-1361316 Shown  
750-1361318 Opposite  
Stone  
Must Order Handle Separately  
750-0532408 Handle Only

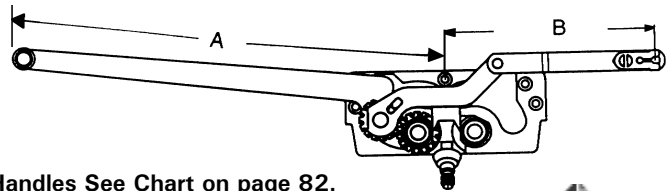
36-362 Shown  
36-363 Opposite

Must Order Handle Separately  
See Chart Page 82.



Pella

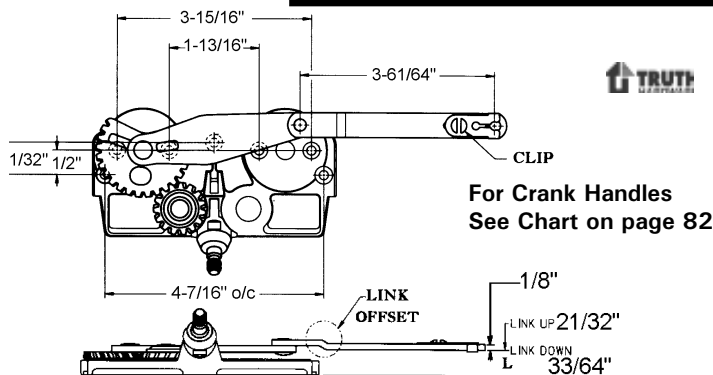
Part #	A	B	ENTRYGARD CASEMENT OPERATORS
36-173 Shown	10-1/2"	5-11/64"	Stainless steel
36-174 Opposite	10-1/2"	5-11/64"	
36-181 Shown	10-1/2"	5-11/64"	
36-182 Opposite	10-1/2"	5-11/64"	
36-183 Shown	10-1/2"	2-29/32"	
36-184 Opposite	10-1/2"	2-29/32"	
36-185 Opposite	10-1/2"	4-5/8"	
36-186 Shown	10-1/2"	4-5/8"	



For Crank Handles See Chart on page 82.  
For Covers See Chart on page 82.



## ENTRYGARD DYAD ARM OPERATORS



Part #	Handing	Link Offset	Clip
36-177	Shown	Down	Top
36-178	Opposite	Down	Top
36-193	Shown	Up	Top
36-194	Opposite	Up	Top
36-199	Opposite	Down	Bottom
36-200	Shown	Down	Bottom
36-197	Shown	Up	Bottom
36-198	Opposite	Up	Bottom
*36-177MOD	Shown	None	Bottom
*36-178MOD	Opposite	None	Bottom

\*Widing Mfg. Original link arm was 6" c/l new link is 6-1/2".

TOLL FREE 800-352-0800  
2003, SBI®

strybug

81

Return to Table of Contents

# OPERATOR ACCESSORIES

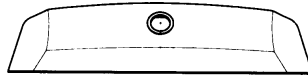


**PLASTIC**

- 36-173CV-1 Bronze
- 36-173CV-2 Gold
- 36-173CV-3 White
- 36-173CV-4 Coppertone
- 36-173CV-5 Brass
- 36-173CV-6 Clay
- 36-173CV-8 Chestnut Bronze
- 36-173CV-9 Beige
- 36-173CV-15 Off White

## COVERS

**METAL**

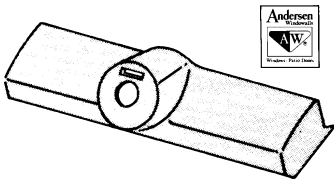
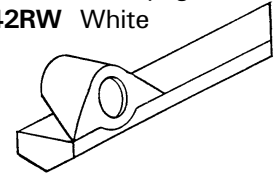


- 36-173MC-1 Bronze
- 36-173MC-2 Gold
- 36-173MC-3 White

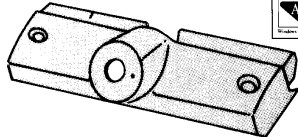
## ROUNDED COVER

**Pella**

- 900-21542LC Champagne
- 900-21542LW White
- 900-21542RC Champagne
- 900-21542RW White



750-0532608  
Stone

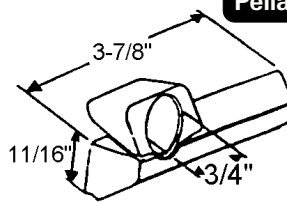


750-0532610  
Stone  
750-1351330  
White



## SQUARED COVER

**Pella**

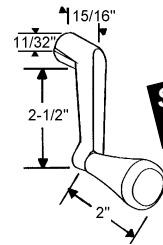
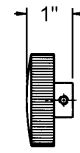
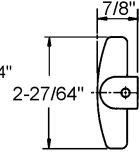
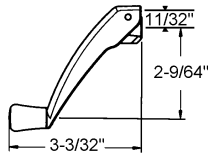
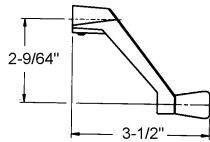


- 900-16934LH Copperite
- 900-16934LC Champagne
- 900-16934LW White
- 900-16934LHB Brass
- 900-16934RH Copperite
- 900-16934RC Champagne
- 900-16934RW White
- 900-16934RHB Brass



## HANDLES

Only Fits Truth 11/32" Spline



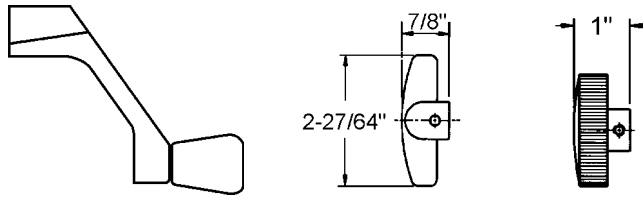
**Special Order**

COLOR	LONG	FOLDING	"T"	ROUND	ADA
Bronze	37-137-1	37-109FH-1	37-125-1	37-138-1	*37-149-1
Gold	*37-137-2	37-109FH-2	37-125-2	37-138-2	*37-149-2
White	37-137-3	37-109FH-3	37-125-3	37-138-3	*37-149-3
Coppertone	37-137-4	*37-109FH-4	*37-125-4	*37-138-4	*37-149-4
Brass	*37-137-5	*37-109FH-5	37-125-5	*37-138-5	*37-149-5
Clay	37-137-6	*37-109FH-6	37-125-6	37-138-6	*37-149-6
Aluminum	*37-137-7	*37-109FH-7	37-140-7	37-138-7	*37-149-7
Chestnut Bronze	*37-137-8	37-109FH-8	37-125-8	*37-138-8	*37-149-8
Beige	37-137-9	37-109FH-9	37-125-9	*37-138-9	*37-149-9
Medium Bronze	37-137-12	37-109FH-12	*37-125-12	*37-138-12	*37-149-12
Brush Copper Nickel	*37-137-13	*37-109FH-13	*37-125-13	*37-138-13	*37-149-13
Off White	*37-137-15	*37-109FH-15	*37-125-15	*37-138-15	*37-149-15

\* Please Check for Availability - May Require Minimum Purchase

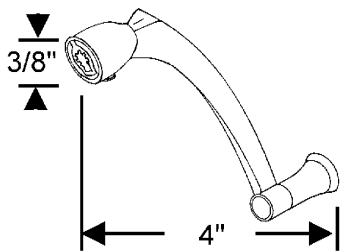
TRUTH PRODUCTS ARE USED ON MANY WINDOW MANUFACTURERS INCLUDING MARVIN, MALTA, CARADCO, HURD, POZZI, KOLBE & KOLBE, BILTBEST, EAGLE, VETTER, WEATHERSHIELD & MANY MORE.

# HANDLES

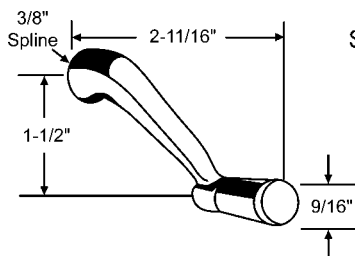


Fits Mfg	Spline Style	Color	Folding	Crank	"T"	Round
Pella	3/8-11	Brass	<b>900-8869BR-F</b>	<b>900-8869BR</b>	----	----
		Copperite	----	<b>900-8869</b>	<b>37-124</b>	<b>37-133</b>
		White	<b>900-8869W-F</b>	<b>900-8869WH</b>	<b>37-124W</b>	<b>37-133W</b>
		Champagne	<b>900-8869CH-F</b>	<b>900-8869CH</b>	<b>37-124CH</b>	<b>37-133-35</b>
Andersen	3/8	Stone (Dark Gray)	<b>37-203-77</b>	<b>750-0532408</b>	<b>37-126</b>	<b>37-129</b>
	3/8	White	----	<b>750-1351332</b>	<b>37-126W</b>	<b>37-129W</b>
	3/8	BlueWhite	<b>37-203-45</b>	----	----	----
Peachtree	5/16	Light Brown	----	<b>900-9690</b>	<b>37-123</b>	<b>37-128</b>
		Brass	----	<b>900-9690B</b>	----	----
		White	----	<b>900-9690W</b>	<b>37-123W</b>	----
Old Style	3/8	Aluminum	<b>216PAHF</b>	<b>37-100</b>	<b>37-113/119</b>	----
		White	<b>216PWHF</b>	<b>37-100W</b>	<b>37-113W</b>	----
		Brown	<b>216PBHF</b>	<b>37-101</b>	<b>37-113B/119B</b>	---
Steel Casement	5/16	Aluminum	----	<b>37-112</b>	<b>37-106</b>	----
Old Style		Brown	----	<b>37-111</b>	<b>37-106B</b>	---
Steel Casement		Aluminum	----	<b>900-412</b>	<b>900-161</b>	---
Jalousie	7/16	Bronze	----	---	<b>37-127</b>	---

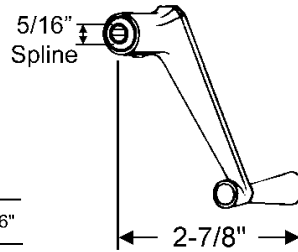
## CRANK HANDLES



**900-8869** Copperite  
**900-8869WH** White  
**900-8869CH** Champagne  
 Pella

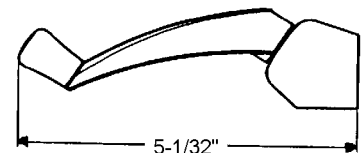


**37-100** Aluminum  
**37-101** Brown  
**37-100W** White

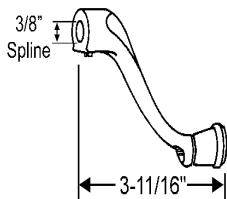


**37-102** Aluminum  
**37-103** Brown

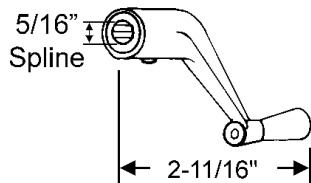
Contour Handle



**37-150-specify color**

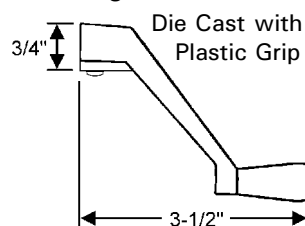


**37-104** Aluminum  
**37-105** Brown  
 For Awning

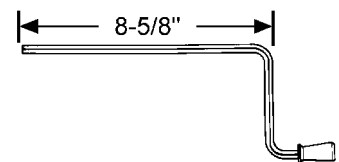


**37-111** Brown  
**37-112** Aluminum

## Awning Window Crank



**900-7754** Aluminum  
 Not Available Use  
**216PAHSDCO**  
**900-7754B**Bronze

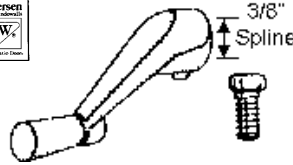


**37-107**  
 Hex

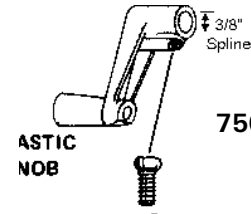
# CRANK HANDLES



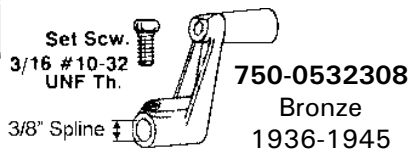
750-1351335 White  
750-1361806 Stone



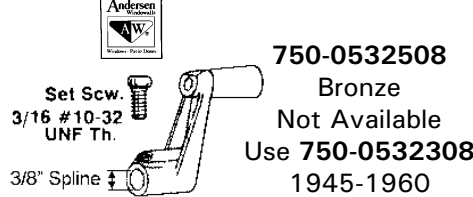
750-0532408 Stone  
750-1351332 White



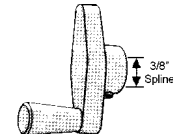
750-1361008 Silver  
ASTIC NOB  
Set Scw.  
3/16 #10-32 UNF Th.



Set Scw.  
3/16 #10-32 UNF Th.  
750-0532308 Bronze  
1936-1945



750-0532508 Bronze  
Not Available  
Use 750-0532308  
1945-1960



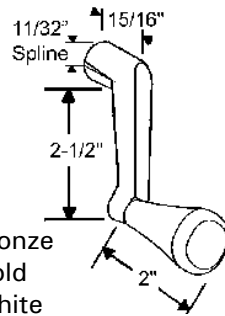
750-1361804 Stone



Wider head allows for better grip!  
Meets ADA Requirements and is helpful for those with arthritis and other disabilities!

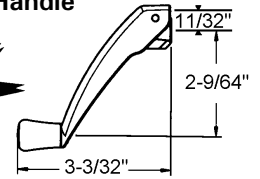
Other Colors Available  
See Chart page 82

37-149-1 Bronze  
37-149-2 Gold  
37-149-3 White



- *Problem* - Mini Blinds get caught on traditional crank handle.
  - *Old Solution* - Replace traditional handle with "T" handles - Resolves interference but difficult to open/close operator.
  - *New Solution* - Folding handle folds out of the way, yet pops up to give proper leverage to open & close operators!
- Other Colors Available.  
See Chart page 82

## Folding Handle

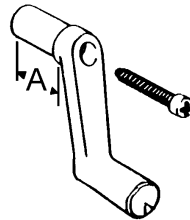


37-109FH-1 Bronze  
37-109FH-2 Gold  
37-109FH-3 White  
37-109FH-8 Chestnut Bronze  
37-109FH-9 Beige

## CRANK HANDLE

Fits 5/16" Spline  
For Mobile Homes

Part #	Material	Dimension A
838P BLK	Plastic	1"
881P BLK	Plastic	1-3/4"
771P BLK	Plastic	2-1/2"
900-18234	Metal	1/4"
37-175	Metal	1/2"
37-142	Metal	3/4"
889P	Metal	1"
37-144	Metal	1-1/4"



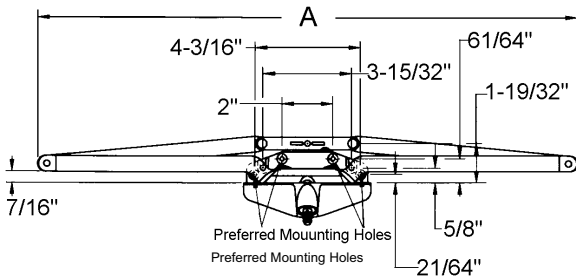
## EXTENSION SPLINE TO HEX

Fits 5/16" Spline  
All Metal  
For Mobile Homes

Part #	Dimension A
831P	1/2"
832P	7/8"
833P	1-1/8"
834P	2"



## DUAL ARMS

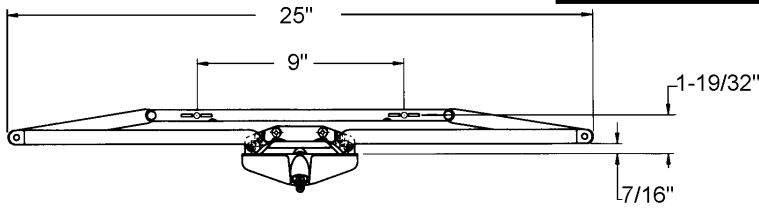


See Crank Handle Chart Page 82  
Must order separately

Stainless Steel Version

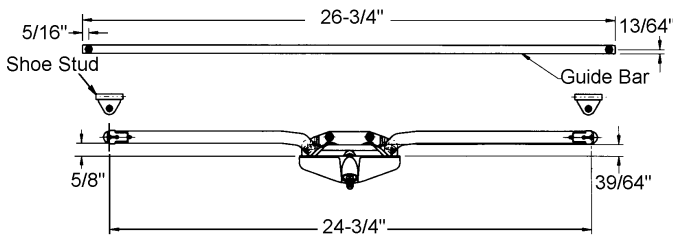
Part #	A	Color
29-156-1	12"	Bronze
29-156-3	12"	White
29-119-1	16-1/4"	Bronze
29-119-3	16-1/4"	White
29-119-4	16-1/4"	Coppertone
29-119-8	16-1/4"	Chestnut Bronze
29-119-14	16-1/4"	Cocoa Brown
29-118-1	21-1/2"	Bronze
29-118-2	21-1/2"	Gold
29-118-3	21-1/2"	White
29-118-5	21-1/2"	Brass
29-118-8	21-1/2"	Chestnut Bronze
29-186-3	21-1/2"	White

## DUAL ARMS



- 29-120-1 Bronze
- 29-120-2 Gold
- 29-120-3 White
- 29-120-4 Coppertone
- 29-120-5 Brass

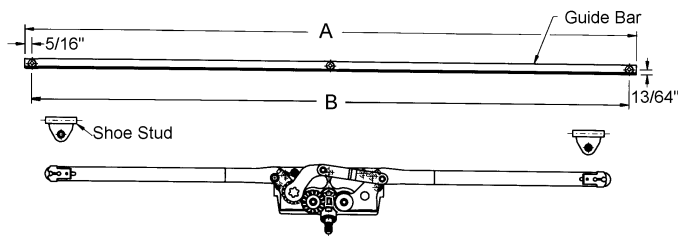
**Must Order Handle Separately**  
See Crank Handle Chart Page 82.



- 29-121-1 Bronze
- 29-121-2 Gold

**Note:** Must Order Shoe Studs 39-42 and Guide Bar 39-4 Separately

**Must Order Handle Separately**  
See Crank Handle Chart Page 82.



Part #	A	B	Shoe Stud	Guide Bar
29-166	22-3/4"	22-1/8"	39-42	39-320
29-168	30-3/4"	30-1/8"	39-42	39-354

**Note:** Must Order Shoe Studs and Guide Bar Separately

**Must Order Handle Separately**  
See Crank Handle Chart Page 82.

## OPERATORS

**Handle**  
750-0339008  
Sold Separately

**Shoes for Flex Roto Operator**

REMOVABLE CYLINDER TYPE SHOES OF PLASTIC THAT SLIDE ON A ROD APPLIED TO SASH

750-0338908  
Sold separately in Pairs Only

Andersen Windows logo

3/8" STUD ON END OF ARMS

750-0333808 12-3/8" Arm

750-0333908 15" Arm

With Handle and Rods

750-0339008 Handle Only

LONG ARM - 15"

SHORT ARM - 12 1/4"

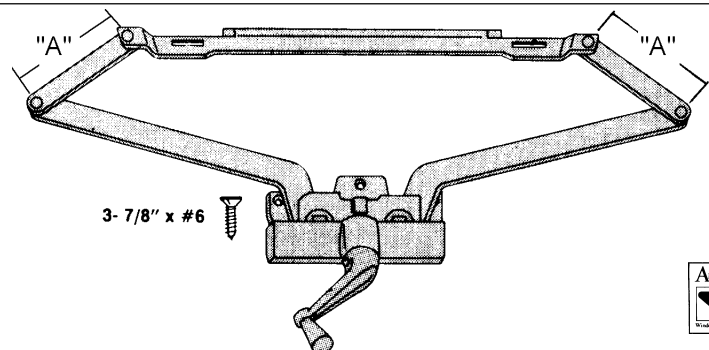
NOTCH FOR PRESENT OPERATOR SHOE

NOTCH FOR FORMER OPERATOR SHOE

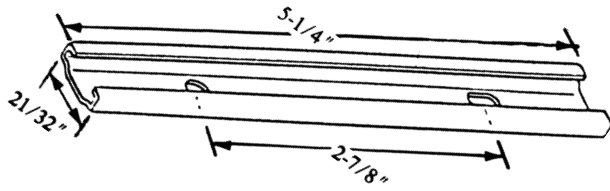
- 750-1521408 "A" 3-5/32"
  - 750-1521412 "A" 5"
- Stone

750-0339008 Handle Only

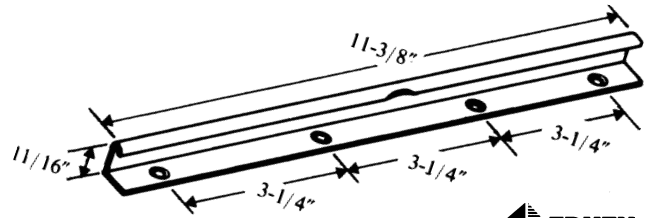
**Must Order Handle Separately**



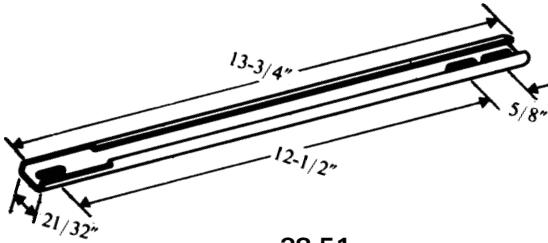
# TRACKS



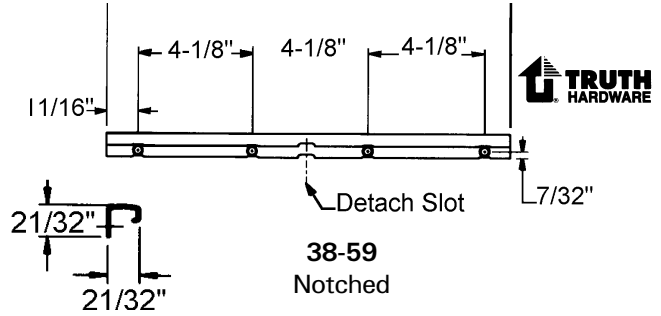
38-1



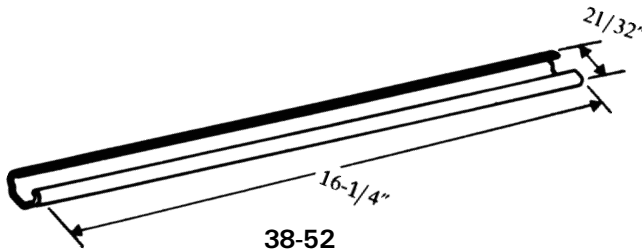
38-53-Steel  
38-53SS- Stainless Steel



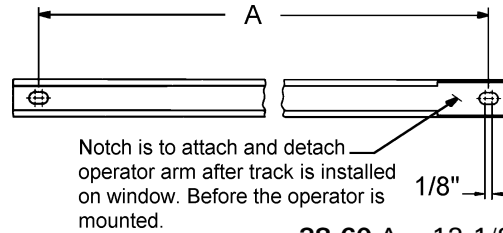
38-51



38-59  
Notched

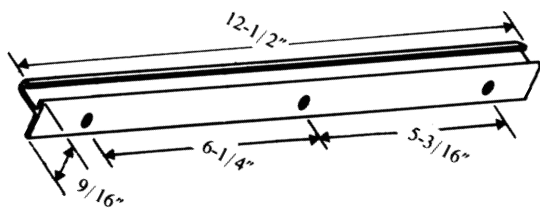


38-52

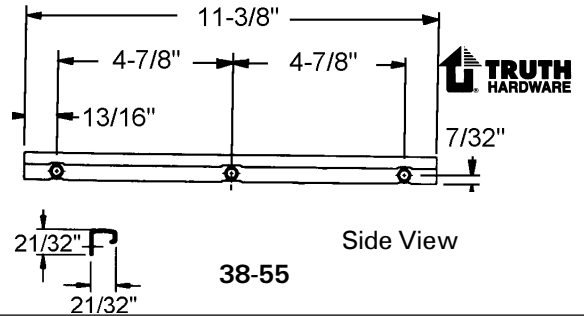


Notch is to attach and detach operator arm after track is installed on window. Before the operator is mounted.

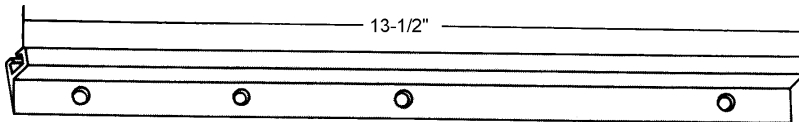
- 38-60 A = 13-1/8"
  - 38-62 A = 9-1/8"
  - 38-58 A = 13"
- Stainless Steel



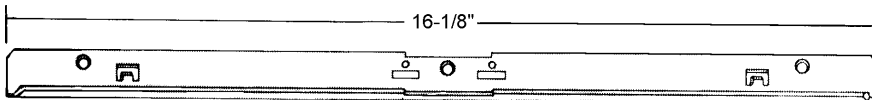
38-54



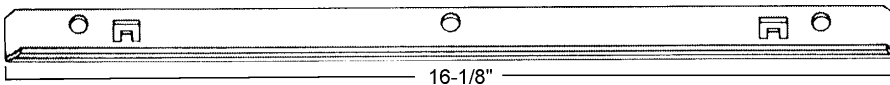
38-55



750-1362008



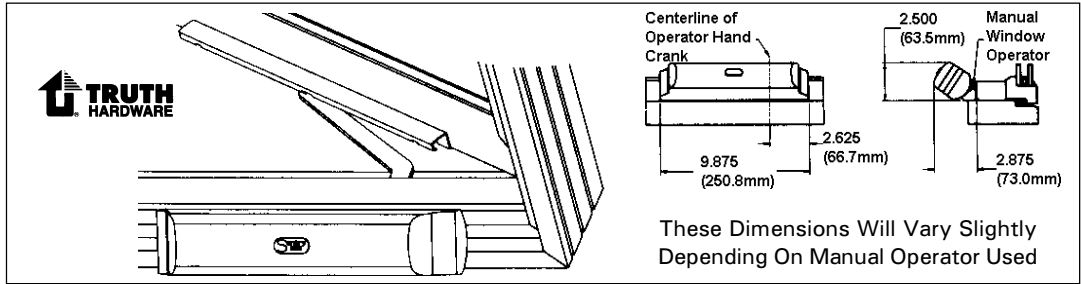
750-0565808



750-1361204



# SENTRY 2000™ MOTORIZED OPERATORS FOR CASEMENT & AWNING WINDOWS



These Dimensions Will Vary Slightly Depending On Manual Operator Used

## Latest Innovation in Window Technology

- Automatically open & close windows with a touch of a button, wall switch or remote.
- Can tie into humidistat or thermostat & Smart Home Programs.
- Can be used in conjunction with motorized sash locks for security
- Rain sensor to automatically close.
- U.L. Listed C.S.A. Approved.
- Fits all Truth gear operators & adapters are available for Pella & Andersen operators.
- Provides independence to those with disabilities.

**LCI** - If controlling one window from one motor control module order one Truth #43-18 Motor Kit for each window. If controlling two or three windows from one motor module order one Truth #43-18 and #43-17 for each additional window. Truth #43-18 Motor Control Module (controls up to 3 windows) **Strybuc Industries #39-257 - specify color**

**LCII** - Offers a wider variety of options - remote control, multiple windows (up to 75), thermostat, humidistat & rain sensor. If controlling one window from one motor control module order one Truth #43-26 Motor Kit for each window. If controlling two or three windows from one motor module order one Truth #43-26 and #43-17 for each additional window.

Truth #43-26 Motor Control Module (controls up to 3 windows) **Strybuc Industries #39-310 - specify color**

**LCI & LCII Truth #43-17 Motor Only** (controls one windows) **Strybuc Industries #39-255 - specify color**

### Optional Accessories:

Truth #43-31 **Strybuc Industries #39-311**

IR Receiver - Can control up to 25 LCII motor control modules.

Truth #43-33 **Strybuc Industries #39-312**

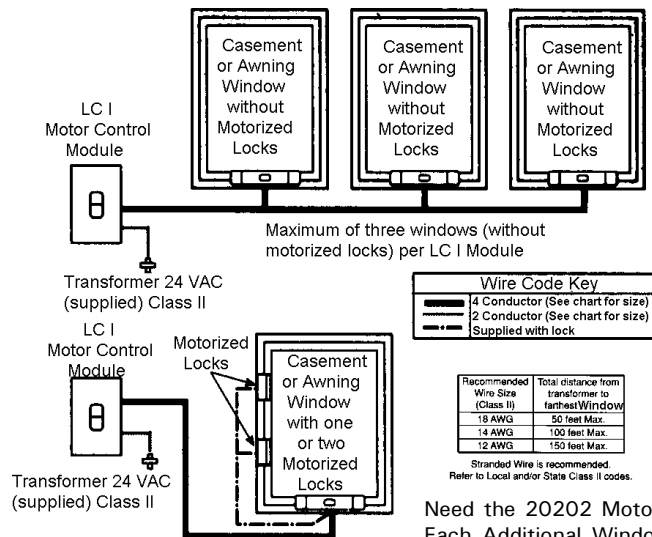
IR Transmitter used with above #43-31

Truth #43-32 **Strybuc Industries #39-305**

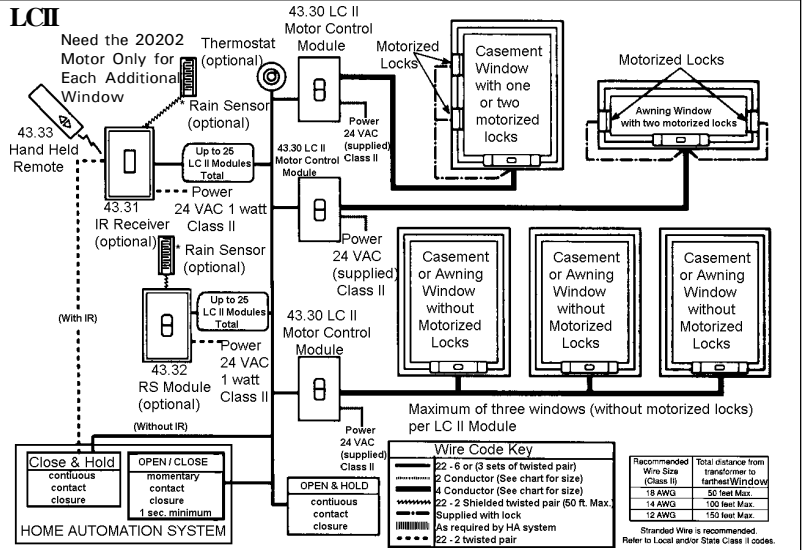
RS module, master switch controls up to 25 LCII motor controls.

## INSTALLATION OPTION 1

**LCI** Motor kit includes : Motor, Decorative Cover, Motor Control Module, Cover Plate, (3) Switch Caps- Ivory, White, & Brown, Transformer and Mounting Hardware.



## INSTALLATION OPTION 2



**IF NO EXISTING HARDWARE, OR FOR PART NUMBERS FOR PELLA, PEACHTREE OR ANDERSEN SYSTEMS & COLORS, CONTACT YOUR ACCOUNT MANAGER FOR DETAILS. A LIST OF MANUFACTURERS USING THIS SYSTEM: CARADCO, CAREFREE, MARVIN, KOLBE & KOLBE & POZZI. CONTACT YOUR ACCOUNT MANAGER FOR A MORE DETAILED BROCHURE.**

TOLL FREE 800-352-0800

2003, SBI®

**strybuc**

87

Return to Table of Contents

# SENTRY 2000™ MOTORIZED OPERATORS FOR CASEMENT & AWNING WINDOWS

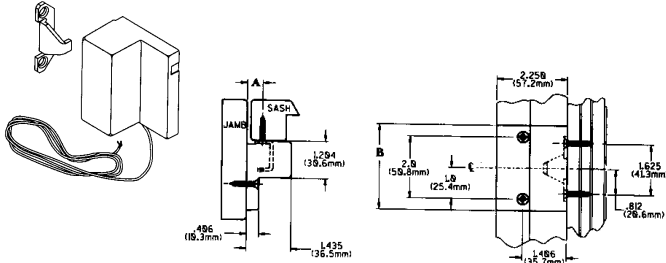


## 39-326-Specify Color

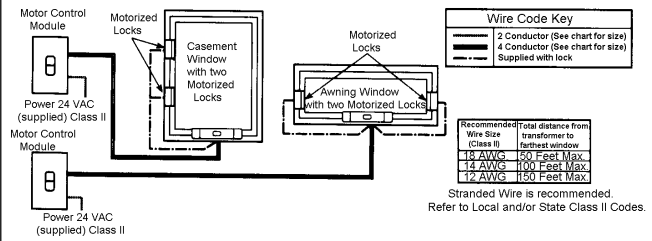
**Features:** Low Profile, Non-Handed Design does not protrude into the sight line of the glass. **Visual Indicator** shows whether the lock is in the locked or unlocked position. **Meets all forced entry requirements.** **Sequential Locking** of your windows at two different locking points. In a casement application, the bottom lock will always lock first, thereby pulling the sash and frame tightly together to insure proper engagement at the secondary locking point. **Convenient Installation.** This lock is sold with an eight foot cable allowing the wiring to be run from the lock location to the operator motor location, or to a junction box where it can be wired back to the switch.



### Motorized Sash Lock



### Pre-Wiring Instructions for Motorized Window Systems with Locks

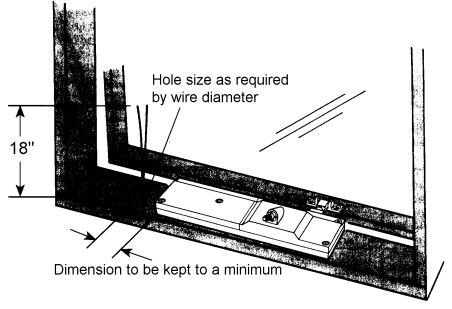


## SENTRY 2000™ Motorized Skylight System

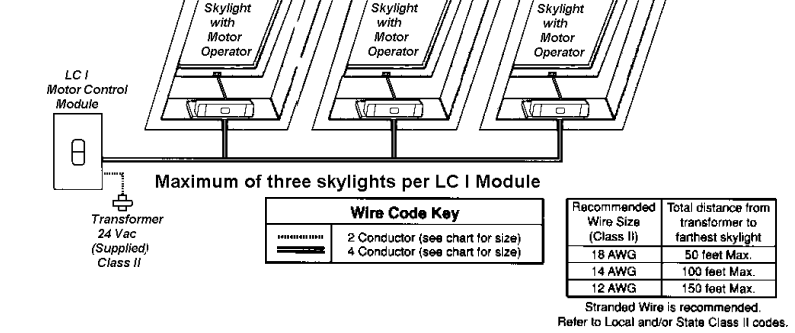
**LCI Basic Motor System** If controlling one skylight from one motor control module, order one #43-20 Motor Kit for each skylight. If controlling two or three skylights from one motor control module, order one #43-20 Motor Kit for first skylight and one #43-19 Motor Only for each additional skylight.

Truth #43-20 Motor Kit - Strybuc Industries #39-260 - specify color

### Control Wire Location



### LCI INSTALLATION OPTIONS



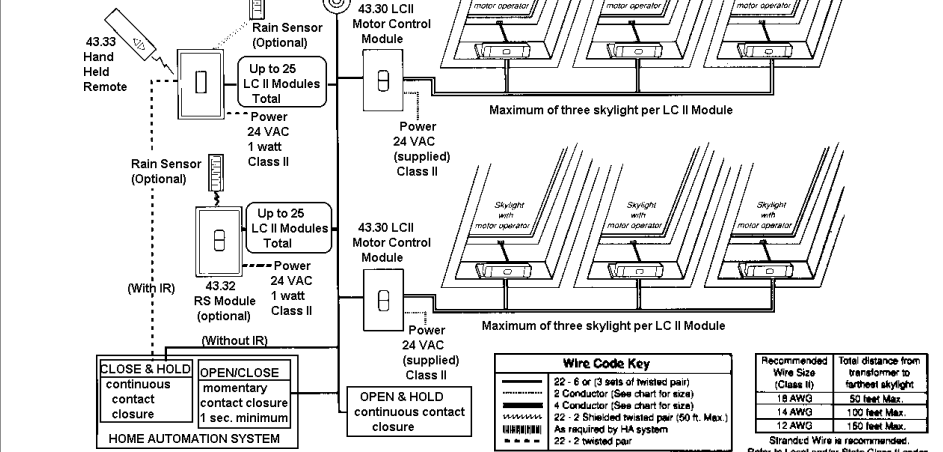
**LCII** If controlling one skylight from one motor control module, order one #43-27 Motor Kit for each skylight. If controlling two or three skylights from one motor control module, order one #43-27 Motor Kit for first skylight and one #43-19 Motor Only for each additional skylight.

Truth #43-27 Motor Kit - Strybuc Industries #39-304 - specify color

**LCI & LCII Motor Only #43-19 - Stry-Buc Industries #39-259 - specify color**

**IF NO EXISTING HARDWARE, CONTACT YOUR ACCOUNT MANAGER FOR DETAILS.**

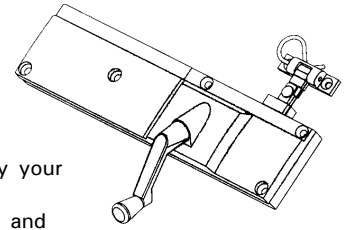
### LCII INSTALLATION OPTIONS



# MANUAL SKYLIGHT OPERATOR SYSTEM



36-342-specify color Angle  
36-345-specify color Straight

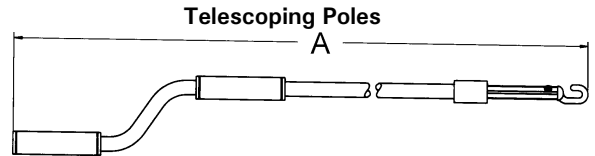
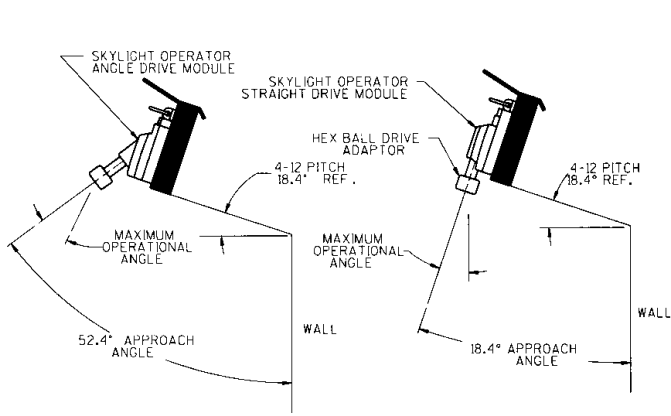


## Add Value To Your Operable Skylight

The Truth Skylight Operator System offers you the flexibility the marketplace demands, the quality your windows deserve, easy factory or field installation and a means to keep your skylight hardware inventories both cost effective and efficient. The Truth Skylight Operator system is easy to install and compatible with wood metal or vinyl framed skylights. Upgrading is easier and faster. Truth's special high gear reduction provides the low torque needed to lift a maximum sash weight of 160 pounds. Choose from two Manual Drive modules for the application that best meets your needs. Each easily mounts to the base module. **Does not include handle. Must order separately. To order handles see chart on page 82.**

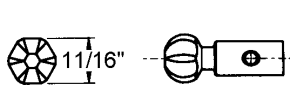
**Please Note: Old style was a 2 piece model that is now discontinued and replaced with the 1 piece model shown above.**

## APPLICATION INFORMATION FOR POLE SYSTEMS AND MISCELLANEOUS HARDWARE



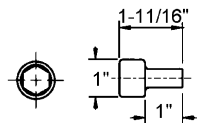
Part #	Drive	A Dimension	
		Extended	Collapsed
39-101	Hex Ball included	122"	73-3/8"
39-102	Hook included	122-3/4"	74-1/8"
39-198	Hook included	73"	48"
39-199	Hex Ball included	73"	48"

Hex Ball Drive



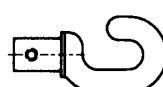
39-94

Hex Ball Adaptor



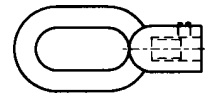
39-100-specify color

Hook



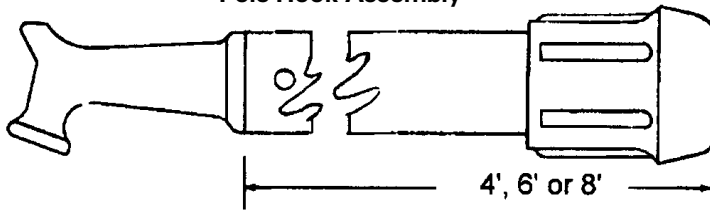
39-95

Eyelet



39-97-specify color

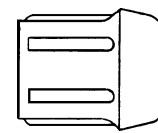
Pole Hook Assembly



900-16842-4 4 feet 900-16842-6 6 feet 900-16842-8 8 feet

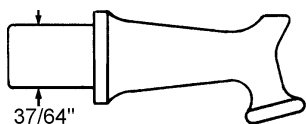
Aluminum Tube with Rubber End

Rubber Tip Only

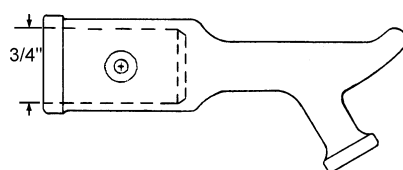


900-18245

Pole Hooks

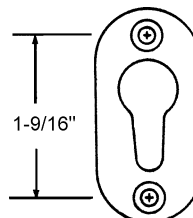


900-16843

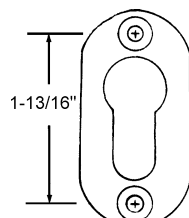


900-16815

Pole Hangers



900-16844



900-16845

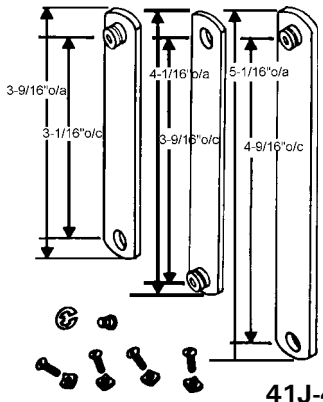
TOLL FREE 800-352-0800

2003, SBI®

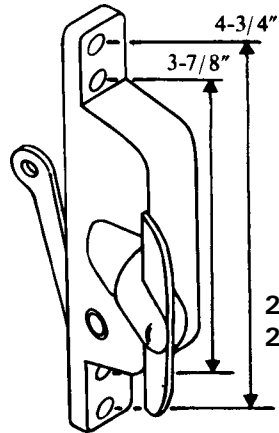


# JALOUSIE OPERATORS & ACCESSORIES

## Operator Kit

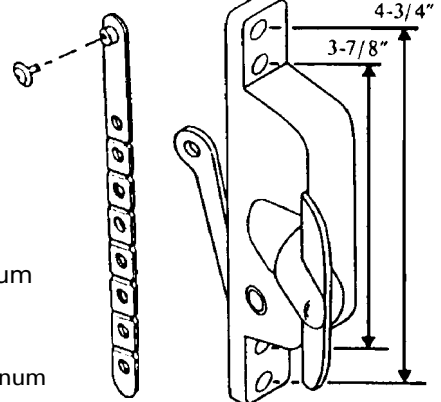


**41J-4000PK**  
Aluminum

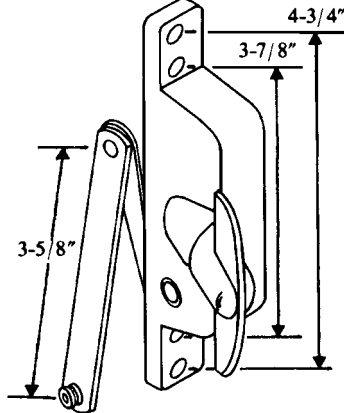


**29-160** Aluminum  
**29-161** Bronze  
  
**Link Only**  
**29-160L** Aluminum  
**29-161L** Bronze

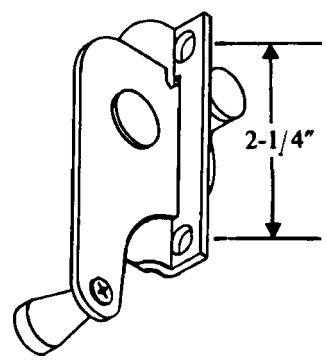
## Break - Away Operator Kit



## Operators

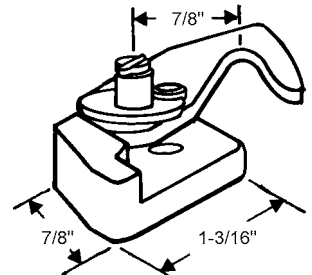


**29-112** Aluminum



**29-104**  
Aluminum

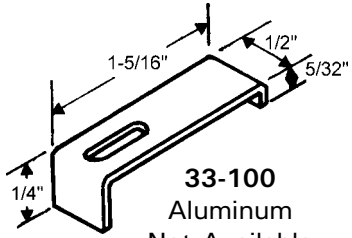
## Block Hook Assembly



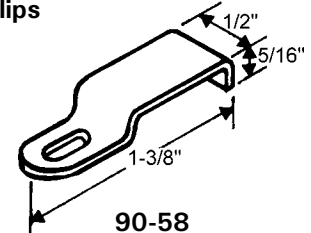
Sold in Pairs

**33-107** (set)  
Nylon Base with  
Aluminum Hook

## Panel Clips

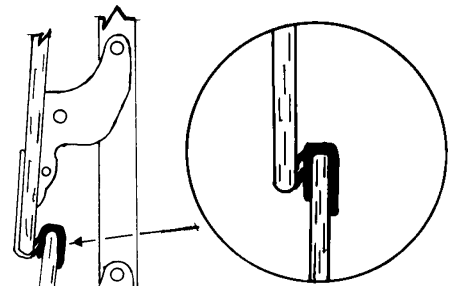


**33-100**  
Aluminum  
Not Available  
Use **33-100W**



**90-58**  
Aluminum

## Jalousie Seal

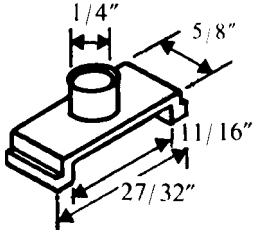


ACTUAL SIZE

**33-106**  
36 feet per bag

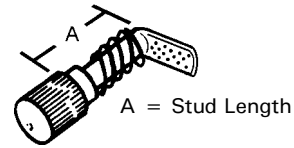
Seals Out the Drafts Usually Found in  
Jalousie Type Windows

## Harness Guide



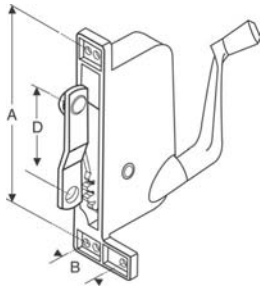
**33-104**  
Nylon

## Screw Assembly

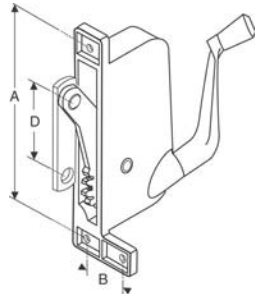


**33-105** 7/8"  
**33-108** 1-1/4"  
**900-12158** 3/4"  
**900-12157** 1"  
Aluminum

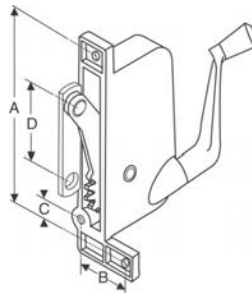
# MILL FINISH AWNING OPERATORS - MIAMI TYPE



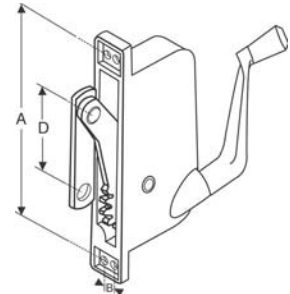
**Type I Housing**  
Shown: R.H. Operator with  
reverse offset on link arm



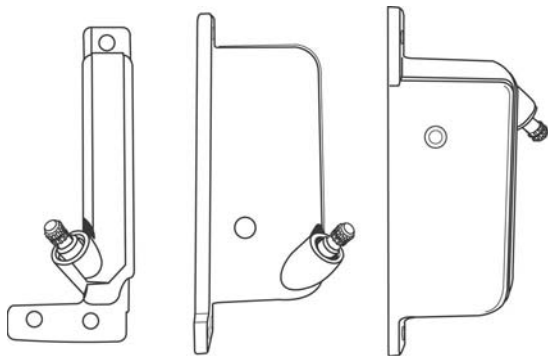
**Type II Housing**  
Shown: R.H. Operator  
with straight link



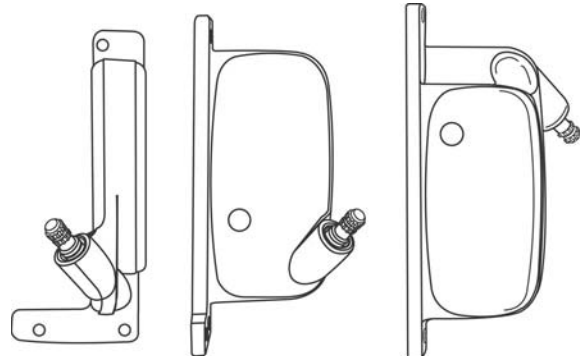
**Type III Housing**  
Shown: R.H. Operator  
with straight link arm



**Type IV Housing**  
Shown: R.H. Operator  
with straight link arm



**Classic Style Awning Operator -**  
Part Numbers Ending in P or HD



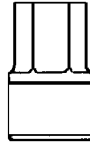
**Contemporary Style Awning Operator -**  
Part Numbers Ending in D

Part # RH	Part # LH	Window Name	Type Housing	Dim "A"	Dim "B"	Dim "C"	Dim "D"	Straight/ Offset	Link End
200P D	201P D	Pan American	I	5-1/4	1-5/16	N/A	2-5/8	S	5/16-18 Thread
207P	206P	Stanley	I	5-1/4	1-3/8	N/A	2-3/16	OS	3/8 Hole
259P D	260P D	Lenahan	I	5-1/4	13/16	N/A	2-9/16	S	3/8 Hole
271P HD	270P HD	Yale-Ogdon	I	5-1/4	7/8	N/A	2-3/16	S	3/8 Hole
296P	295P	Ware	I	5-1/4	7/8	N/A	2-3/16	OS	3/8 Hole
205P D	204P D	Keller - Air Control	II	5-1/4	1-1/8	N/A	2-3/8	S	1/4-20 Thread
214P D	215P D	ABC	II	5-1/4	1-1/4	N/A	2-7/16	S	3/8 Hole
230P D	231P D	Look-Rusco	II	5-1/4	1-3/8	N/A	2-3/8	S	1/4-20 Thread
257P D	258P D	Tucker	II	5-1/4	1-1/4	N/A	3-3/8	S	10-24 Thread Bushing
263P D	264P D	Nu-Aire	II	5-1/8	15/16	N/A	2-5/8	S	3/8 Hole
395P D	396P D	Stanley-C&E	II	5-1/4	1-3/8	N/A	2-3/16	OS	3/8 Hole
636P D	637P D	Remington-Silverline	II	5-1/4	1-1/8	N/A	2-7/16	S	10-24 Thread Bushing
211P D	210P D	Miami	III	5-1/8	1-1/2	3/8	2-3/16	OS	5/16-18 Thread
212P	213P	ABC	III	5-1/16	1-7/16	1/2	2-3/16	S	1/4 E-Ring Stud
232P HD	233P HD	Superior	III	5-1/16	1-7/16	1/2	2-1/8	S	5/16-18 Thread
234P D	235P D	Crown	III	5-1/6	1-7/16	1/2	2-1/4	S	3/8 Hole
236P D	237P D	Tucker	III	5-1/16	1-7/16	1/2	2-3/8	S	10-24 Thread Bushing
388P D	387P D	Harcar	III	5-1/16	1-7/16	1/2	2-5/8	OS	5/16 E-Ring Stud
457P D	455P D	VE Anderson	III	5-1/16	1-7/16	1/2	2-5/8	OS	3/8 Hole
223P	224P	Look-Rusco	IV	5-1/4	7/16	N/A	2-1/8	S	5/16-18 Thread

For Additional Sizes and Colors Contact Your Account Manager. Items above also available carded

# REMOVABLE CLERESTORY EXTENSION CRANKS

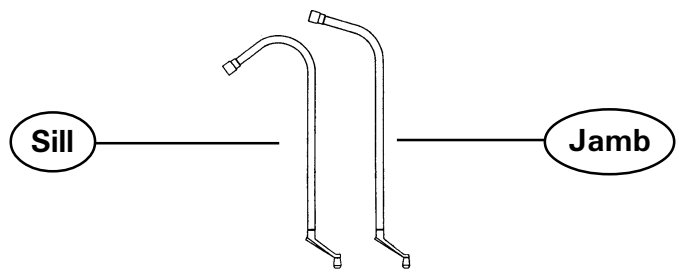
**ALL  
NEW  
PRODUCTS!**



Adapter

Adapter Selection Chart

Part #	Fits
900-13457	Pella
39-105A	Andersen
39-105AB	Andersen (new style)
39-105	Truth, Marvin, Caradco, Weather Shield, Hurd, Biltbest, Eagle, Vetter, others
37-155	Getty, Peachtree
39-105B	Whitco H90



Extension Crank Selection Chart

Part #	Location of Operator	Crank Length	Distance from Floor
39-104-3	Sill	3'	7'
39-527-3	Jamb	3'	7'
39-104-4	Sill	4'	8'
39-527-4	Jamb	4'	8'
39-104-5	Sill	5'	9'
39-527-5	Jamb	5'	9'
39-104-6	Sill	6'	10'
39-527-6	Jamb	6'	10'
39-104-7	Sill	7'	11'
39-527-7	Jamb	7'	11'
39-104-8	Sill	8'	12'
39-527-8	Jamb	8'	12'
39-104-9	Sill	9'	13'
39-527-9	Jamb	9'	13'
39-104-10	Sill	10'	14'
39-527-10	Jamb	10'	14'
39-104-12	Sill	12'	16'
39-527-12	Jamb	12'	16'

Put those operable clerestory windows to energy-saving use with our 39-series Clerestory Extension Crank. High mounted windows are excellent for capturing light while providing privacy, but they can also be "excellent" heat traps. It is now possible to vent the heat that rises to these areas as easily as opening any other window in the home.

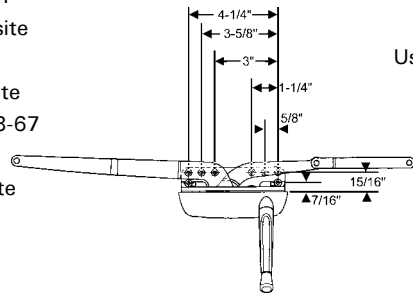
It's inexpensive and can easily retrofit to existing or new window installations. By simple removal of the existing crank handle and replacement with an adapter(see adapter selection chart), the crank will open and close any operable clerestory window. It is not necessary to replace the current operator. Remember that you will only need one clerestory crank to operate all windows at the same height.

The removable extension crank is available in many standard sizes for either sill or jamb mounted operators. Refer to the selection chart to the right. The standard finish for the crank is natural anodized aluminum.

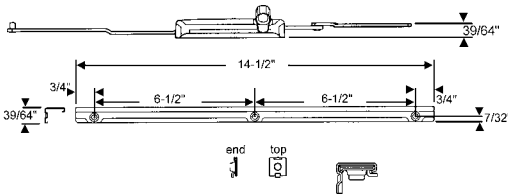
# THE MAXIM™ SYSTEM

The Maxim™ Series is a window operating "system" where the hinges & operators were developed to work together to meet & exceed the "Maximum" performance requirements that are sought in today's market of larger more versatile casement & awning windows

- 36-368-1** Bronze Shown
- 36-369-1** Bronze Opposite
- 36-368-3** White Shown
- 36-369-3** White Opposite
- Used with 38-67
- 36-368-9** Beige Shown
- 36-369-9** Beige Opposite

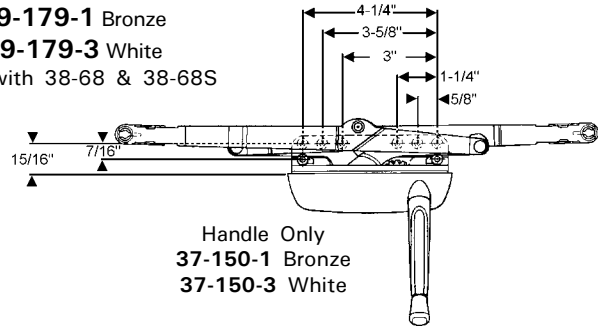


- Handle Only
- 37-150-1** Bronze
- 37-150-3** White



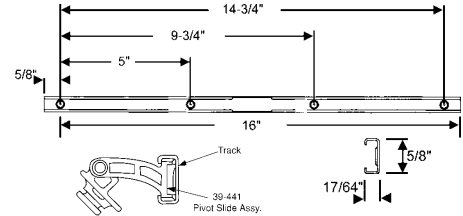
**38-67**

- 29-179-1** Bronze
- 29-179-3** White
- Used with 38-68 & 38-68S

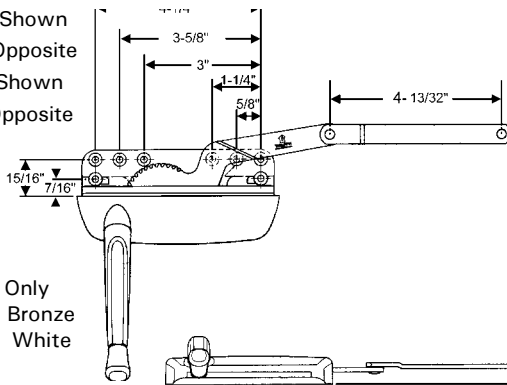


- Handle Only
- 37-150-1** Bronze
- 37-150-3** White

**38-68**  
**38-68S**

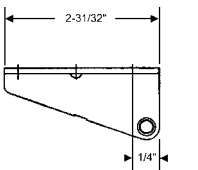


- 36-371-1** Bronze Shown
- 36-372-1** Bronze Opposite
- 36-371-3** White Shown
- 36-372-3** White Opposite

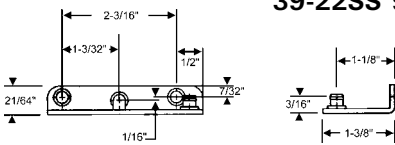


- Handle Only
- 37-150-1** Bronze
- 37-150-3** White

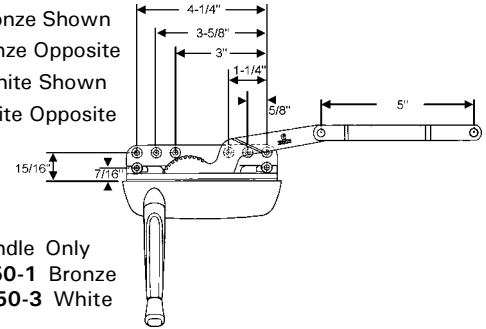
Side View



- 39-21** Shown
- 39-22** Opposite
- 39-21SS** Stainless Steel
- 39-22SS** Stainless Steel

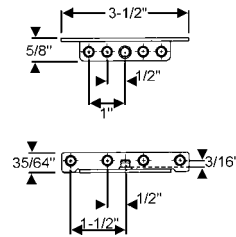


- 36-373-1** Bronze Shown
- 36-374-1** Bronze Opposite
- 36-373-3** White Shown
- 36-374-3** White Opposite

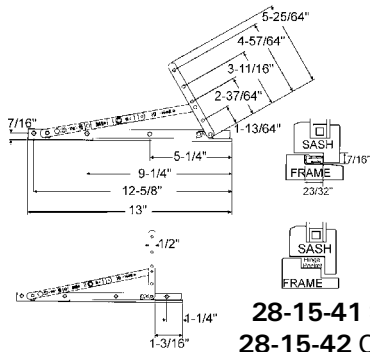


- Handle Only
- 37-150-1** Bronze
- 37-150-3** White

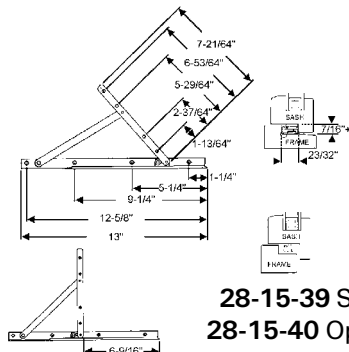
Side View



**39-418**

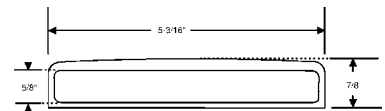


- 28-15-41** Shown
- 28-15-42** Opposite

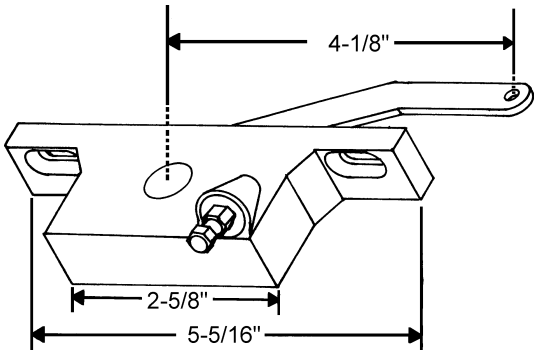


- 28-15-39** Shown
- 28-15-40** Opposite

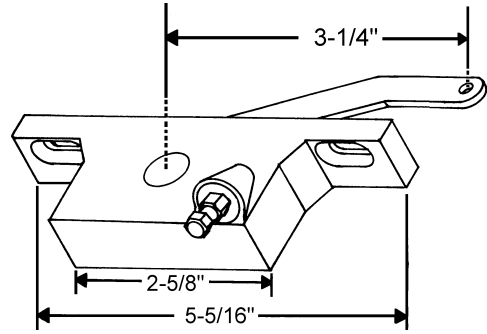
Gasket for Maxim Operator



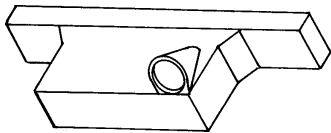
**39-417**



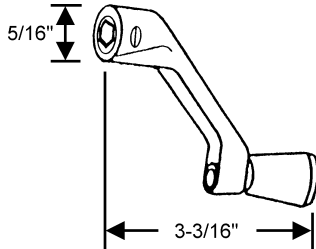
**36-333** LH Operator Shown  
**36-334** RH Operator Opposite



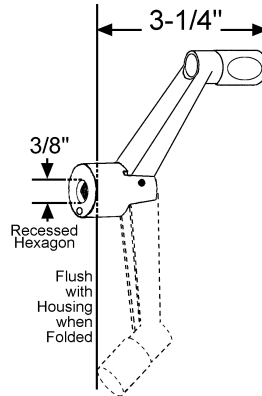
**36-333SP** LH Operator Shown  
**36-334SP** RH Operator Opposite



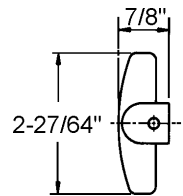
**36-333CV-3** LH Shown  
**36-334CV-3** RH Opposite  
 White Plastic Cover for Operator



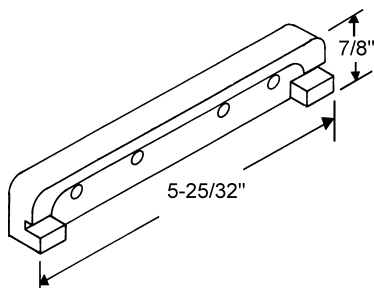
**37-148**  
 Standard White Crank Handle with Hex Broach



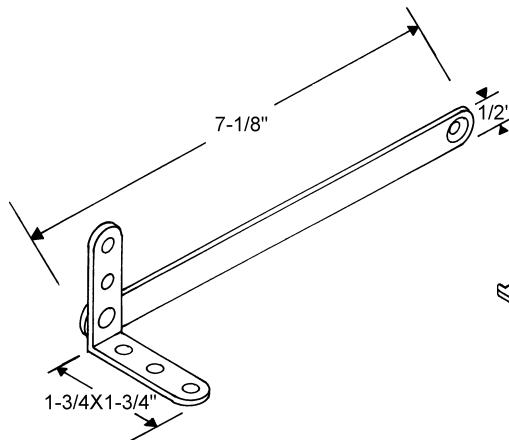
**37-160**  
 Folding White Crank Handle with Hex Broach



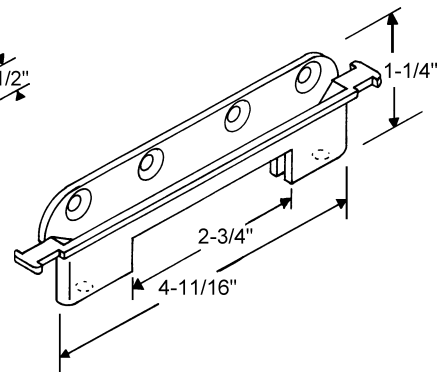
**900-161**  
 "T" Handle Aluminum Finish Only



**39-350**  
 Plastic Support

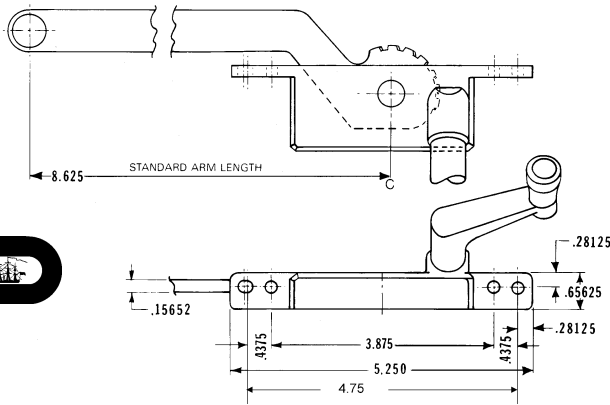


**39-352**  
 Connecting Arm



**39-351**  
 Metal Backer

# DORCHESTER CASEMENT OPERATORS



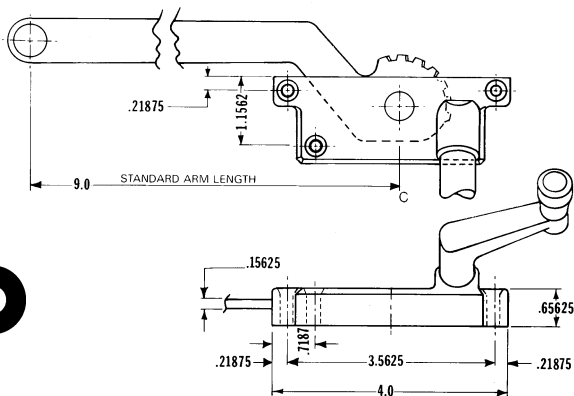
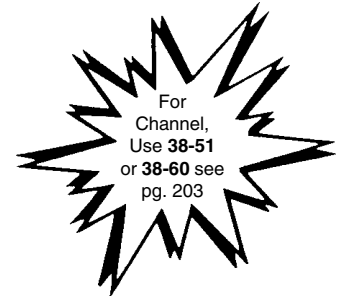
## 4706-H Metal Casement Replacement

(Fits 95% of all Casement windows)

Specifications: Housing and crank - Zinc die cast. #5 crank is standard. Arm - High carbon steel, rustproofed, 11/16" wide x 5/32" thick x 8-5/8" long, center to center, fitted with steel button. Screws - (4) #10-24 x3/8" pan head machine screws.

SHORTER LENGTHS AVAILABLE BY SPECIAL ORDER

SBI #	Hand	Color	Package	Case Qty.
36-142	RH shown	Light Bronze	Bagged	24
36-142AL	RH shown	Aluminum	Bagged	24
36-143	LH opposite	Light Bronze	Bagged	24
36-143AL	LH opposite	Aluminum	Bagged	24

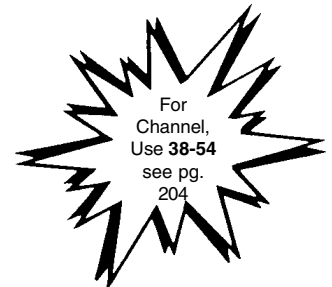


## 4715 Wood Casement Replacement

Specifications: Housing and crank -Zinc die cast. #5 crank is standard. Arm - High carbon steel, rust proofed, 11/16" wide x 5/32" thick x 9" long, center to center, fitted with steel button. Screws -(3)#8 x 1-3/4" flat head wood screws. Channel - Extruded aluminum 13-1/2" long with (3) #8 x 3/4" flat head wood screws.

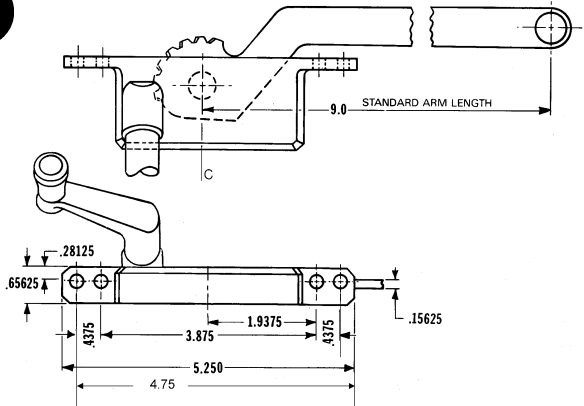
SHORTER LENGTHS AVAILABLE BY SPECIAL ORDER

SBI #	Hand	Color	Channel	Package	Case Qty.
36-144	RH shown	Light Bronze	NO	Bagged	24
36-144AL	RH shown	Aluminum	NO	Bagged	24
36-145	LH opposite	Light Bronze	NO	Bagged	24
36-145AL	LH opposite	Aluminum	NO	Bagged	24



SMALLER QUANTITIES AVAILABLE UPON REQUEST

# DORCHESTER CASEMENT OPERATORS



## 4706 Steel Casement Operator

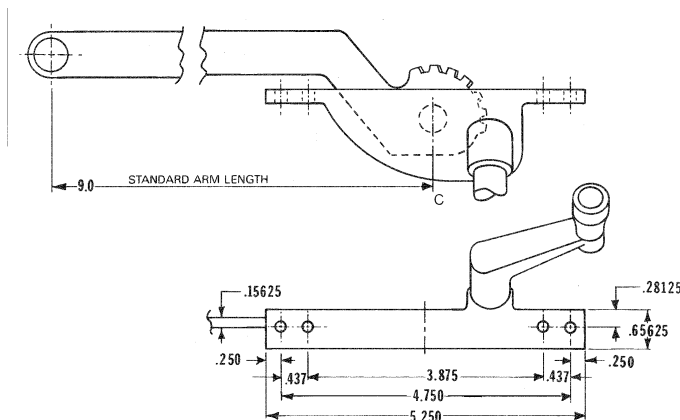
Specifications: Housing and crank - Zinc die cast. #5 crank is standard. Arm - High carbon steel, rustproof, 11/16" wide x 5/32" thick x 9" long, center to center, fitted with steel button. Screws - (4) #10-24 x 3/8" pan head machine screws.

**SHORTER LENGTHS AVAILABLE BY SPECIAL ORDER**

SBI #	Hand	Color	Package	Case Qty.
36-142-9	RH opposite	Light Bronze	Bagged	24
36-142AL-9	RH opposite	Aluminum	Bagged	24
36-143-9	LH shown	Light Bronze	Bagged	24
36-143AL-9	LH shown	Aluminum	Bagged	24



*Original Not Available.  
Suitable Substitute  
Listed Below*



## 4707 Steel Casement Operator

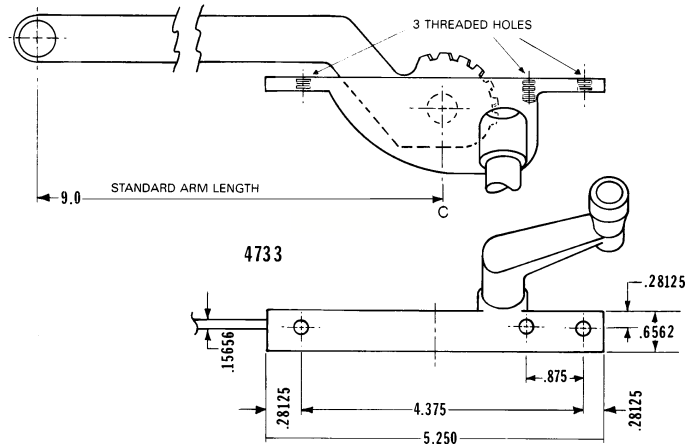
Specifications: Housing and crank -Zinc die cast. #5 crank is standard. Arm - High carbon steel, rust proof, 11/16" wide x 5/32" thick x 9" long, center to center. Screws -(4)#10-24 x 3/8" pan head machine screws.

**SHORTER LENGTHS AVAILABLE BY SPECIAL ORDER**

SBI #	Hand	Color	Package	Case Qty.
36-311	LH opposite	Brown	Bagged	24
36-312	LH opposite	Aluminum	Bagged	24
36-313	RH shown	Brown	Bagged	24
36-314	RH shown	Aluminum	Bagged	24

**SMALLER QUANTITIES AVAILABLE UPON REQUEST**

# DORCHESTER CASEMENT OPERATORS



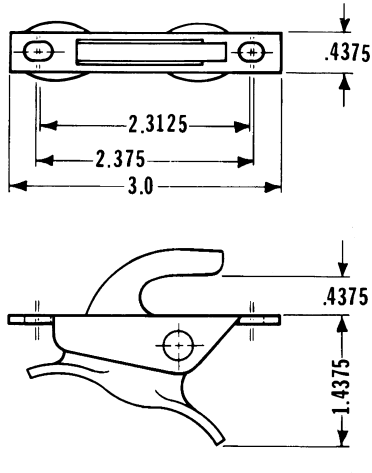
*Original Not Available.  
Suitable Substitute  
Listed Below*

## 4733 Thorn and Fenestra Replacement

Specifications: Housing and crank -Zinc die cast. #5 crank is standard. Arm - High carbon steel, rust proofed, 11/16" wide x 5/32" thick x 9" long, center to center. Housing furnished with 3 tapped holes #12-24, 4-3/8" center to center, thus making a replacement for Thorn and Fenestra. Screws Furnished.

**SHORTER LENGTHS AVAILABLE BY SPECIAL ORDER**

SBI #	Hand	Color	Package	Case Qty.
<b>36-134</b>	RH opposite	Brown	Bagged	24
<b>36-134A</b>	RH opposite	Aluminum	Bagged	24
<b>36-135</b>	LH shown	Brown	Bagged	24
<b>36-135A</b>	LH shown	Aluminum	Bagged	24



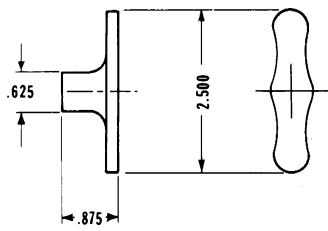
## 4621 Butterfly Locking Handle

Specifications: Handle - Zinc die cast  
Base - Stamped Steel. Finish - Bronze or Aluminum.  
Screws - #10-24 x 5/16" pan head machine screws.

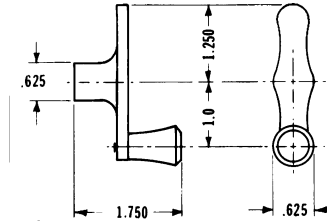
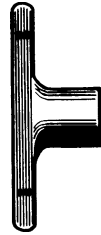
SBI #	Color	Package	Case Qty.
<b>900-225</b>	Aluminum	Bagged	25

SMALLER QUANTITIES AVAILABLE UPON REQUEST

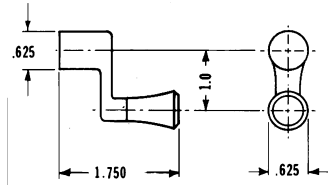
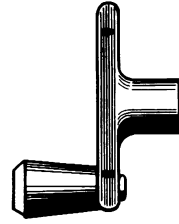
# DORCHESTER REPLACEMENT CRANKS



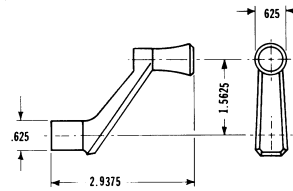
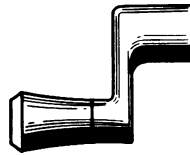
1



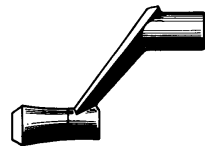
2



3

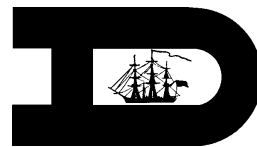


5



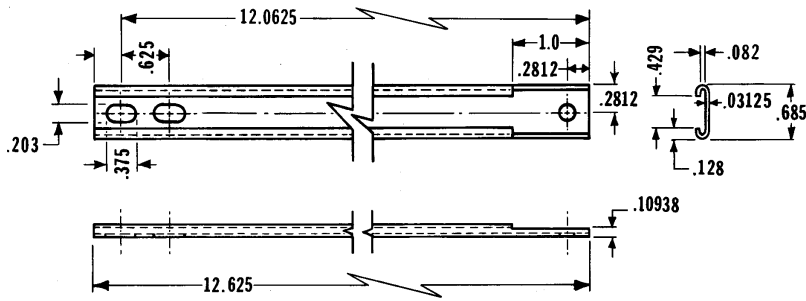
1, 2, 3 and 5 Replacement Cranks Bore Diameter 5/16"

SBI #	Number	Color	Package	Case Qty.
900-7840	1	Brown	Bagged	100
900-7840AL	1	Aluminum	Bagged	100
37-168	2	Bronze	Bagged	100
37-168AL	2	Aluminum	Bagged	100
37-169	3	Bronze	Bagged	100
37-169AL	3	Aluminum	Bagged	100
37-102	5	Aluminum	Bagged	100
37-103	5	Bronze	Bagged	100
37-103BG	5	Beige	Bagged	100



SMALLER QUANTITIES AVAILABLE UPON REQUEST

# DORCHESTER CHANNEL GUIDES



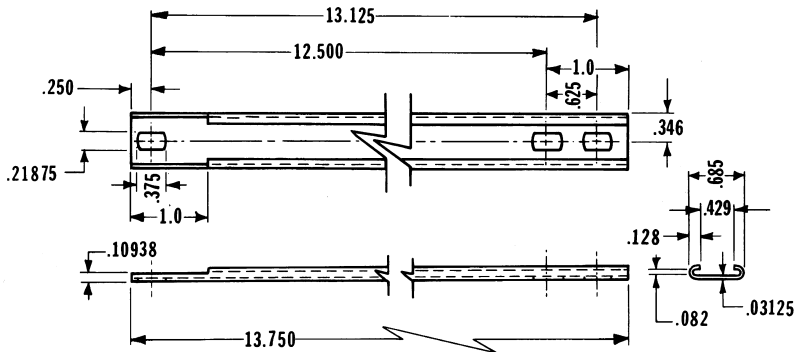
## C-2 Channel Guide for Metal Windows

Type C-2 - Steel, rustproof. 12-5/8" overall with 3 elongated holes - 1 hole one end and two holes the other end.



SBI #	CASE QTY
900-9959	100

*Original Not Available.  
Suitable Substitute  
Listed Below*



## C-3 Channel Guide for Metal Windows

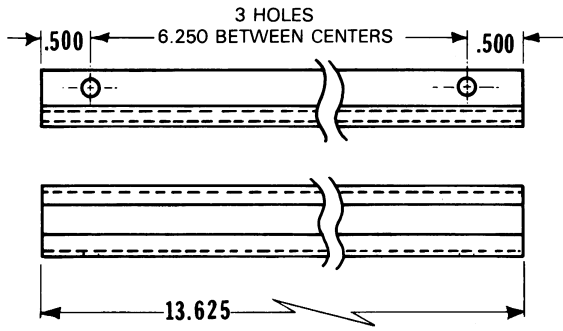
Type C-3 - Aluminum or stainless steel. 13 3/4" overall with 3 elongated holes - 1 hole one end and two holes the other end.



SBI #	MATERIAL	CASE QTY
38-51	Aluminum	100
38-60	Stainless Steel	100

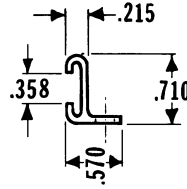
SMALLER QUANTITIES AVAILABLE UPON REQUEST

# DORCHESTER CHANNEL GUIDES & KEEPERS

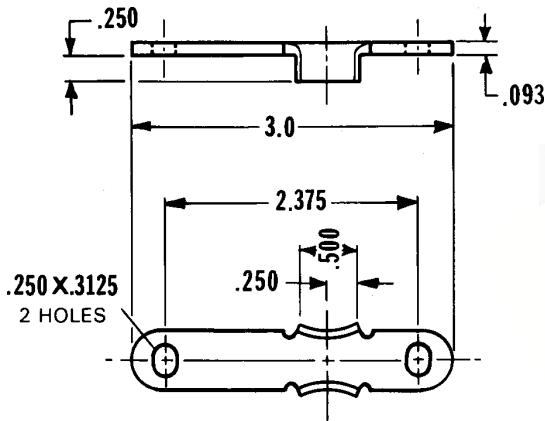


## 4715 Channel Guide For Wood Windows

Aluminum channel with (3) #8 x 3/4" round head wood screws



<b>SBI #</b>	<b>CASE QTY</b>
38-54	100

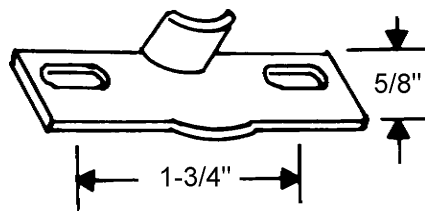


## 509 Keeper

Stamped, Rustproof.  
Two horizontal slots.



<b>SBI #</b>	<b>MATERIAL</b>	<b>CASE QTY</b>
50-685	Steel	100
50-685A	Aluminum	100



## Keeper



<b>SBI #</b>	<b>MATERIAL</b>	<b>CASE QTY</b>
50-659	Stamped Steel	100

SMALLER QUANTITIES AVAILABLE UPON REQUEST