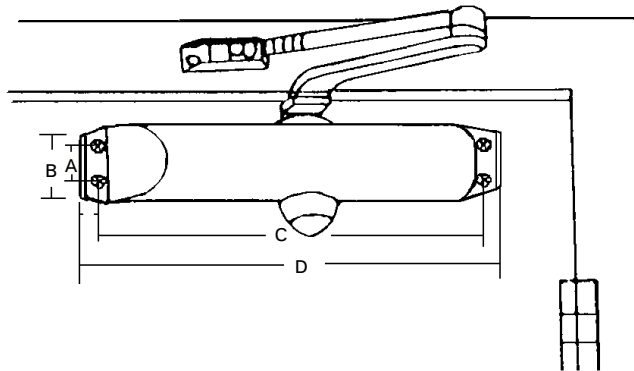


ENTRANCE DOOR CLOSERS

- Surface Mounted Interior and Exterior
- Size 3 is used on 3 ft. wide Interior door or 2 1/2 ft. Exterior Door
- Size 4 is used on 4' Wide Interior Door or 3' Wide Exterior Door
- Non-Handed
- Permanent Lubricating Hydraulic Fluid
- Easy, Smooth Action
- Housing made of Non-Corroding Aluminum
- Narrow Design is Perfect for Aluminum, Glass, Wood and other Modern Doors

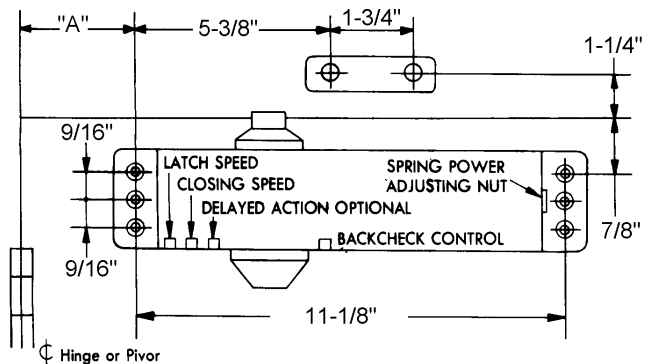
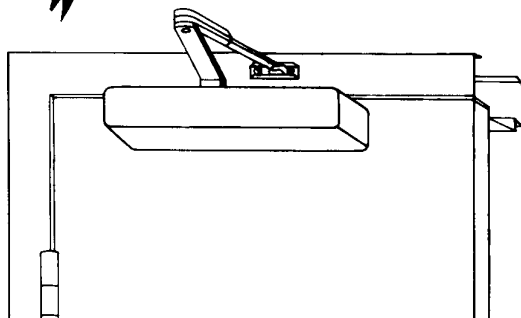


DIMENSIONS

| PART# | SIZE | A | B | C | D | FINISH |
|---|------|------|--------|---------|----------|-----------------------|
| 18-70 | #3 | 3/4" | 1-3/4" | 8-3/16" | 8-15/16" | Aluminum |
| 18-72 | #3 | 3/4" | 1-3/4" | 8-3/16" | 8-15/16" | Bronze (Gold) |
| 18-74 | #3 | 3/4" | 1-3/4" | 8-3/16" | 8-15/16" | Duranodic (Dk. Brown) |
| 18-68 | #4 | 3/4" | 1-3/4" | 9-1/16" | 9-13/16" | Aluminum |
| 18-69 | #4 | 3/4" | 1-3/4" | 9-1/16" | 9-13/16" | Bronze (Gold) |
| 18-73 | #4 | 3/4" | 1-3/4" | 9-1/16" | 9-13/16" | Duranodic (Dk. Brown) |
| DIMENSIONS FOR CLOSERS WITH BACKCHECK FEATURE | | | | | | |
| 18-70BC | #3 | 3/4" | 1-3/4" | 8-3/16" | 8-15/16" | Aluminum |
| 18-68BC | #4 | 3/4" | 1-3/4" | 9-1/16" | 9-13/16" | Aluminum |

Power Adjustable Closer with Back Check or Delayed Action

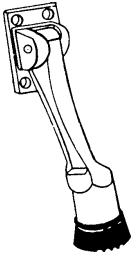
18-88



| Opening | Dim. "A" |
|-------------|----------|
| To 120° | 7-3/32" |
| 120° - 180° | 3-15/16" |

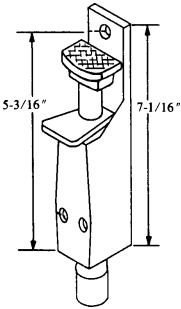
DOOR ACCESSORIES

DROP DOWN DOOR STOP



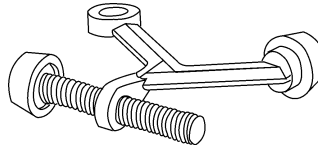
- 19-132
4" Aluminum Finish
- 19-133
4" Brass Finish
- 19-137
5" Aluminum Finish
- 19-136
5" Brass Finish
- 19-187 Rubber Tip Replacement Only

DOOR HOLDER STEP ON PLUNGER TYPE



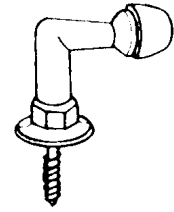
- 19-138
Aluminum
- 19-135
Brass

HINGE PIN DOOR STOP



19-142

DOOR STOP



900-12356
Brass Finish

DOOR STOP BUMPER ASSEMBLIES

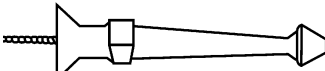
Includes stop and bumper



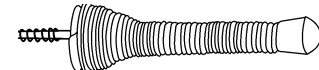
- 19-143 3"
Flexible



- 19-144
Solid



- 19-157
4" Solid



- 19-204 Flexible
Heavy Duty - Brass Finish

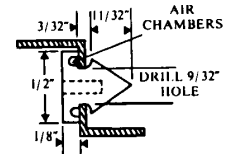
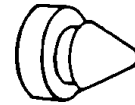
DOOR STOP BUMPER



- 19-146
Fits 9/32" O.D. flexible door stop with mounting plate

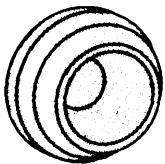
DOOR SILENCER

For Metal Frames

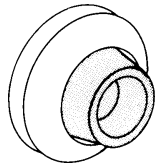


- 19-134 Gray
- 19-134BG Beige

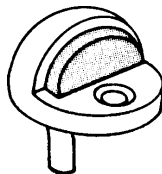
DOOR STOPS



- 19-139
19-139W White
Adhesive backed, 1-7/8" Diameter, 3/4" Protection, Grey Rubber, Peel-off Label, Pressure sensitive backed.



- 19-140 Stainless Brushed Finish
- 19-140B Brass
- 19-140BRZ Bronze
- Screw mount, 2-1/2" diameter with grey vinyl bumper, Concealed screw mount Stainless brushed finish, Concave face to fit Interior lock button. Furnished with Anchor



- 19-141 Brushed chrome finish
- 19-141BRZ Bronze
- 1-3/4" Diameter. Grey vinyl bumper, Flush floor mount, Furnished with Anchor and Screw.

KNOCKER WITH VIEWER

Space for Door Viewer



900-12213

When ordering viewer with knocker add 3/8" to the door thickness. Name plate card. Cast knocker with polished brass finish. Surface mount application. Space For Door Viewer.

DOOR VIEWER



- 19-149
Fits doors 1-3/8" to 2" thick

- Solid Brass Construction
- 160° Angle plastic lens
- Fits doors 1-5/8" to 2-11/16" thick
- 1/2" Installation hole

- 900-12562
Fits doors 1-5/8" to 2-3/4" thick.

- Solid Brass Construction
- Most popular low priced one-way door viewer
- 160° Angle plastic lens
- Fits doors 1-3/8" to 2-1/4" thick
- 1/2" Installation hole
- Wide angle. See who is on the other side before you open the door*

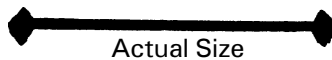
DOOR SWEEP



- 900-8179
White
- 900-8179M
Mill

Overall Length Including Vinyl is 37"

BLACK VINYL THRESHOLD INSERT



- 900-11159
Flexes Easily for Installation

GRAY VINYL THRESHOLD INSERT



- 900-13005
Flexes Easily for Installation

DOOR HARDWARE

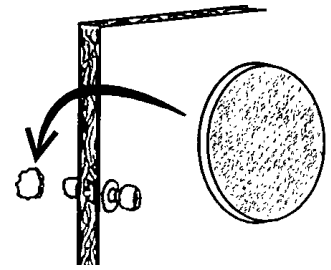
WALL PROTECTORS

Made of high impact material that can be painted or papered.

Use to repair larger areas of wall damage. Foam adhesive on back absorbs shock. 1/4" total thickness.

Washable.

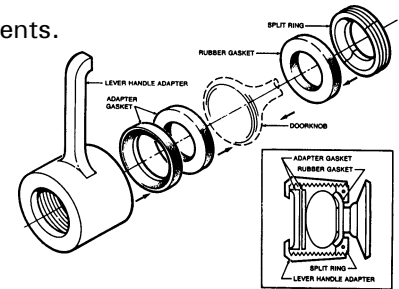
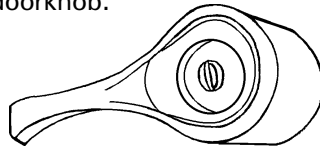
| | | |
|-----------------|-------------|-------|
| 19-181 | 3" diameter | White |
| 19-182 | 5" diameter | White |
| 19-1810W | 3" diameter | Beige |



FIT-ALL LEVER HANDLE

- 19-189-1** Silver Metallic
- 19-189-2** Satin Brass
- 19-189-5** Highlow Finish - Visible in the dark to make it easier for the elderly to see

- Coverts existing doorknobs to lever action to comply with ADA entry requirements.
- Installed quickly and easily without removing doorknob.
- Save your existing hardware.
- Save on re-keying.
- One size fits all standard knobsets.
- Engineered resilience to protect knobsets from tough use.
- Meets handicapped, fire and safety requirements.



DOOR PLATES

Steel Brass Plated

Used For:

- Split or Broken Doors • Misdrilled Doors • Converting Mortise Locks to Cylinder Locks
- Can also be used on Steel doors **Easy To Use:** Can be Installed Without Modifying Door - No Cutting

No chiseling or cutting is required. Remove only the lock handles for regular installation. The latch remains in the door. DOOR Plate mount OVER the latch to protect it as well as the door.

| | Part# | Description | Backset | Door Thickness | Overall Dimensions |
|--|-----------------|-----------------------------|---------|----------------|--------------------|
| | 19-160-4 | Cylindrical door locks | 2-3/8" | 1-3/8" | 4" x 9" |
| | 19-161-4 | 2-1/8" hole | 2-3/8" | 1-3/4" | 4" x 9" |
| | 19-162-4 | | 2-3/4" | 1-3/8" | 4-1/4" x 9" |
| | 19-163-4 | | 2-3/4" | 1-3/4" | 4-1/4" x 9" |
| | 19-174-4 | Cylindrical door locks | 2-3/8" | 1-3/8" | 4" x 4-1/2" |
| | 19-175-4 | 2-1/8" hole | 2-3/8" | 1-3/4" | 4" x 4-1/2" |
| | 19-176-4 | | 2-3/4" | 1-3/8" | 4-1/4" x 4-1/2" |
| | 19-177-4 | | 2-3/4" | 1-3/4" | 4-1/4" x 4-1/2" |
| | 19-168-4 | Double lock combo | 2-3/8" | 1-3/8" | 4" x 9" |
| | 19-169-4 | 2-1/8" hole with | 2-3/8" | 1-3/4" | 4" x 9" |
| | 19-171-4 | 3-5/8" centers | 2-3/4" | 1-3/4" | 4-1/4" x 9" |
| | 19-165-4 | Double lock combo | 2-3/8" | 1-3/4" | 4" x 9" |
| | 19-167-4 | 2-1/8" hole with 4" centers | 2-3/4" | 1-3/4" | 4-1/4" x 9" |
| | 19-158-4 | Blank Wrap-Around | --- | 1-3/8" | 4-1/4" x 9" |
| | 19-159-4 | with trim screw holes | --- | 1-3/4" | 4-1/4" x 9" |
| | 19-172-4 | | --- | 1-3/8" | 4-1/4" x 4-1/2" |
| | 19-173-4 | | --- | 1-3/4" | 4-1/4" x 4-1/2" |