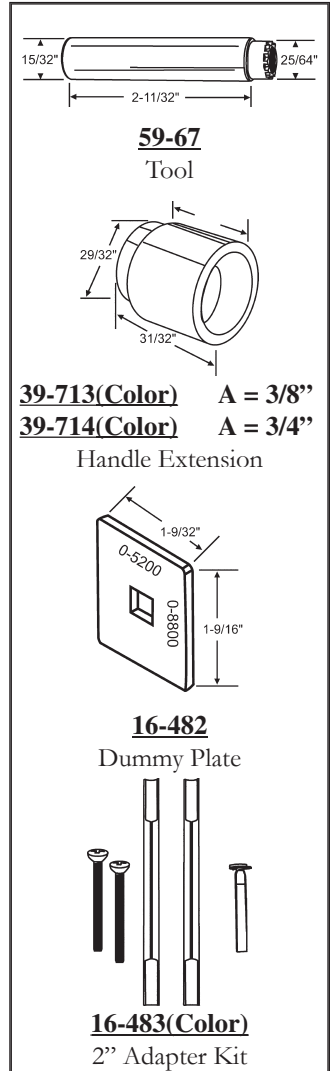
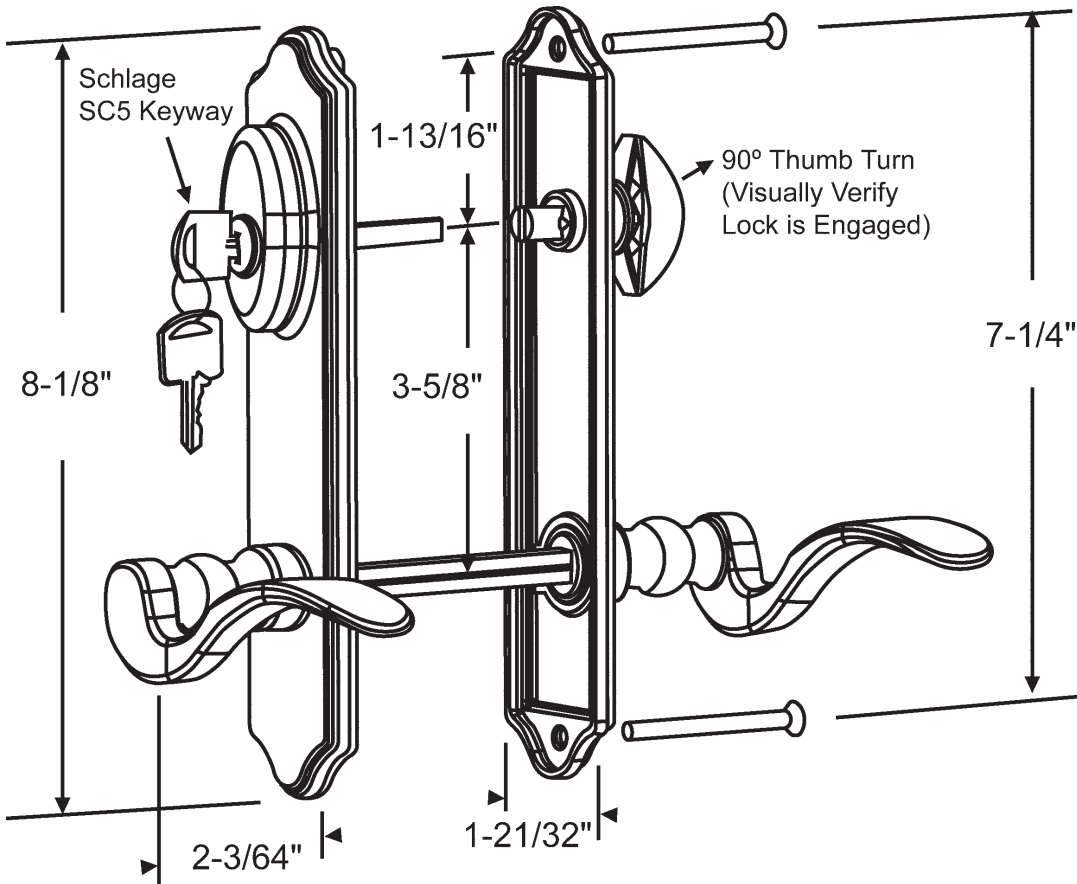


Swing Door Trim Sets

Used by Milgard, Marvin, Jeld Wen (Caradco), Cantera, Delta & PGT



Active (Shown) - Thumb Turn w/Key

Part #	Finish
55-101AB	Antique Brass
55-101BC	Brushed Chrome
55-101BRS	PVD Brass
55-101ORBZ	Oil Rubbed Bronze
55-101P	Pewter/Satin Nickel
55-101PB	Polished Brass
55-101PC	Polished Chrome
55-101W	White

Passive* - No Thumb Turn, No Key

Part #	Finish
55-102AB	Antique Brass
55-102BC	Brushed Chrome
55-102BRS	PVD Brass
55-102ORBZ	Oil Rubbed Bronze
55-102P	Pewter/Satin Nickel
55-102PB	Polished Brass
55-102PC	Polished Chrome
55-102W	White

* When Using the Passive Swing Door Trim Set as a Dummy Set You Need to Order a #16-482 Dummy Plate

All the Above Swing Door Trim Sets are for a 1.7 (1-3/4") Door. For 2.0 (2") Door (Used by PGT), you Need to Order a #16-483(color) 2" Adapter Kit. (Includes Longer Screws, Longer Shaft & Tailpiece). Check for Colors Available for 2.0 (2") Application.