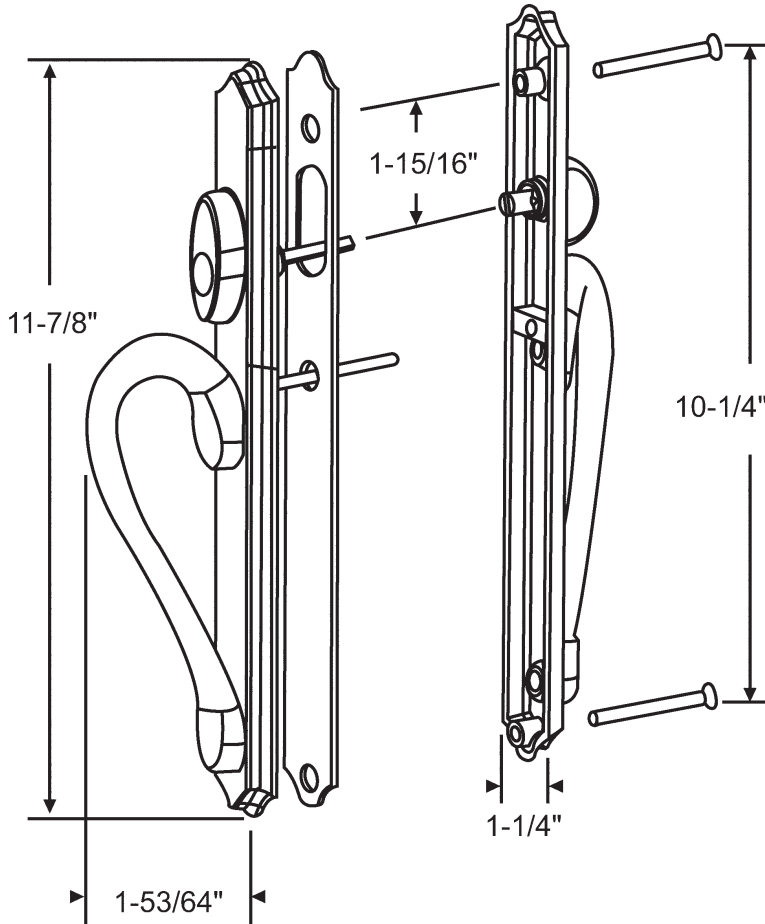


Sliding Door Trim Sets

Used by Marvin Integrity, Comfort Line, Therma Tru, Kolbe & Kolbe



Zinc Die Cast Sliding Door Trim Sets

Active - Thumb Turn w/Key

For 1.7" Door

Part #	Finish
13-346AD	Almond
13-346B	Black
13-346W	White

Active(Shown) - Thumb Turn No Key

For 1.7" Door

Part #	Finish
13-347AD	Almond
13-347B	Black
13-347W	White

Passive - No Thumb Turn, No Key

For 1.7" Door

Part #	Finish
13-348AD	Almond
13-348B	Black
13-348W	White

Solid Brass Sliding Door Trim Sets

Active - Thumb Turn w/Key

For 1.7" Door

Part #	Finish
13-342AB	Antique Brass
13-342BC	Brushed Chrome
13-342BRS	PVD Brass
13-342CH	Chrome

For 2.0" Door

Part #	Finish
13-345AB	Antique Brass
13-345B	Black
13-345BC	Brushed Chrome
13-345BRS	PVD Brass
13-345CH	Chrome
13-345ORBZ	Oil Rubbed Bronze
13-345P	Pewter
13-345PB	Polished Brass
13-345SCH	Satin Chrome
13-345SNK	PVD Satin Nickel

Active - Thumb Turn No Key

For 1.7" Door

Part #	Finish
13-343AB	Antique Brass
13-343PB	Polished Brass
13-343ORBZ	Oil Rubbed Bronze
13-343CH	Chrome
13-343BC	Brushed Chrome
13-343SCH	Satin Chrome
13-343P	Pewter
13-343B	Black
13-343BRS	PVD Brass
13-343SNK	PVD Satin Nickel

Passive - No Thumb Turn, No Key

For 1.7" Door

Part #	Finish
13-344PB	Polished Brass
13-344ORBZ	Oil Rubbed Bronze
13-344CH	Chrome
13-344BC	Brushed Chrome
13-344SCH	Satin Chrome
13-344P	Pewter
13-344AB	Antique Brass
13-344AD	Almond
13-344B	Black
13-344W	White
13-344BRS	PVD Brass
13-344SNK	PVD Satin Nickel