



SWING DOOR QUESTIONNAIRE FOR REPLACING FUHR OR HLS MULTIPOINT HARDWARE

Date: _____

Customer Name: _____

Address: _____

Phone: _____

Fax: _____

E-mail: _____

1. Which do you see stamped on the thin, edge of the metal face plate running up the entire door edge, "FUHR" or "HOPPE"? (This can be found in between the door latch and deadbolt area) _____

Also, what is the finish of this faceplate: Brass looking Stainless Steel

2. What is the width across of this metal face plate? 5/8" (16mm) 25/32" (20mm)

3. Do you know who manufactured the door? How about the windows in your home?

If so, please list the company: _____

4. Is this for a single door or a pair of doors (french doors)? _____

5. What is the door thickness: 1 3/4" (45mm) 2 1/4" (57.15mm) other: _____

6. What is the door panel height? (The door panel is the part that opens and closes) height: _____

7. What is the distance from the center of the door handle down to the bottom horizontal edge of the door: _____

8. What is the distance from the center of the handle down to the center of the thumbturn piece?

3 5/8": (92mm) 2 53/64" (72mm) other: _____

9. What is the distance from the center of the handle to the door edge (edge with the latch and deadbolt on it, not the edge with the hinges)? 1 3/4" (45mm) 1 3/8" (35mm) other: _____

10. With the door ajar, measure how far out the deadbolt extends from the edge of the door: _____

11. Is this a "manual" or "automatic" door? Manual: Must first pull up on handles to operate the multipoint locks or Automatic: where the multipoints engage on their own when you close the door? Manual Automatic*

*(See "NOTE" below regarding automatic version description)

12. Based on the accompanying pictures, please put an "x" by the multipoint system you have:

Tongue Automatic

Tongue/Shootbolt Manual

Manual Tongue

Roller/Shootbolt Manual

2-Roller Automatic

Roundbolt Manual

2-Roller Manual

Roundbolt/Shootbolt Manual

4-Roller Automatic

Shootbolt Manual

4-Roller Manual

Single Point Only: Only has a latch & deadbolt

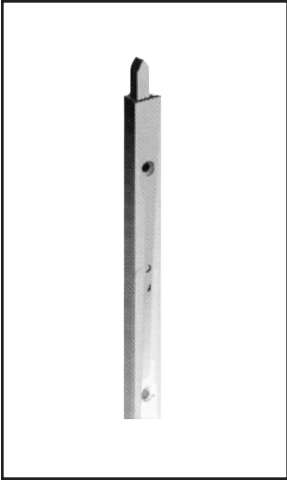
NOTE: Automatic version will have a small roller-like piece located approximately 7-8" above the latch. See pictures.

13. If you have a tongue version, what is the distance from the center of the handle down to the bottom tongue position?

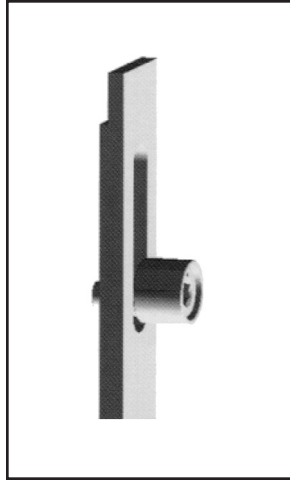
26 27/64" (671mm) 29 21/32" (753mm) other: _____

14. If you have a tongue version, what is the distance from the center of the handle up to the top tongue position? _____

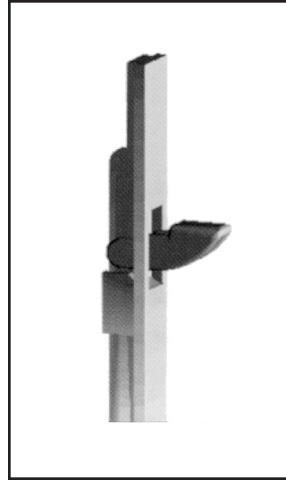
15. If you have a roller version (2 or 4 roller, manual or automatic) what is the distance to each of the roller positions from the handle center location? _____



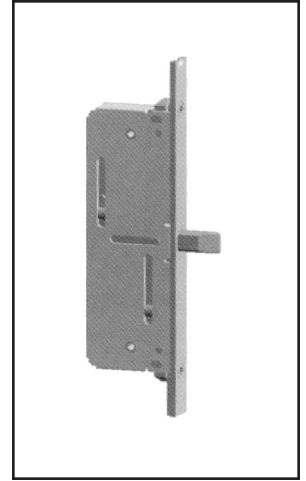
**SHOOTBOLT
VERSION**



**ROLLER
VERSION**



**TONGUE
VERSION**



**ROUNDBOLT
VERSION**

