



WINDOW AND DOOR HARDWARE

Steel & Wood Casement

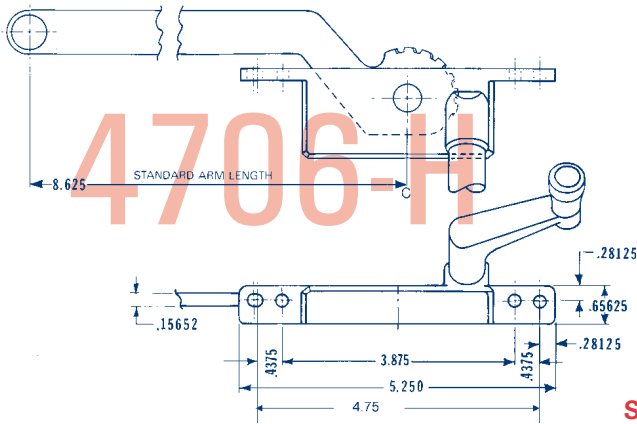
OPERATORS AND ACCESSORIES

1-800-352-0800

fax 610-534-3202 ■ www.strybuc.com ■ cservice@strybuc.com



2006 Elmwood Ave, 102C, Sharon Hill, PA 19079-1084

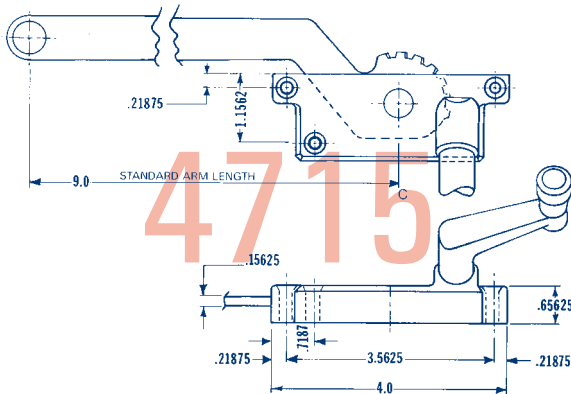


4706-H Metal Casement Replacement (Fits 95% of all Casement windows)

Specifications: Housing and crank - Zinc die cast. #5 crank is standard. Arm - High carbon steel, rustproofed, 11/16" wide x 5/32" thick x 8-5/8" long, center to center, fitted with steel button. Screws - (4) #10-24 x3/8" pan head machine screws.

SHORTER LENGTHS AVAILABLE BY SPECIAL ORDER

SBI #	HAND	COLOR	PACKAGE	CASE QTY.
36-142	RH shown	LIGHT BRONZE	BAGGED	24
36-142AL	RH shown	ALUMINUM	BAGGED	24
36-143	LH opposite	LIGHT BRONZE	BAGGED	24
36-143AL	LH opposite	ALUMINUM	BAGGED	24
36-142BX	RH shown	LIGHT BRONZE	BOXED	24
36-142ALBX	RH shown	ALUMINUM	BOXED	24
36-143BX	LH opposite	LIGHT BRONZE	BOXED	24
36-143ALBX	LH opposite	ALUMINUM	BOXED	24



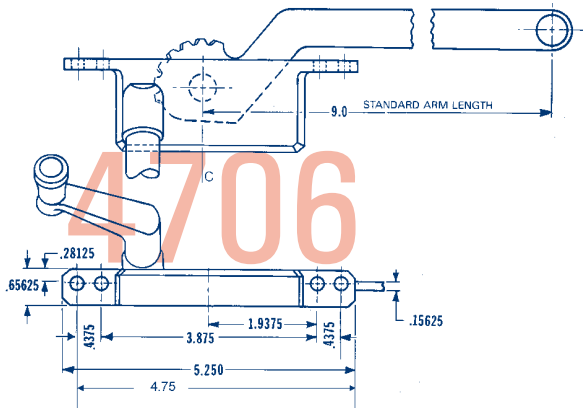
4715 Wood Casement Replacement

Specifications: Housing and crank -Zinc die cast. #5 crank is standard. Arm - High carbon steel, rust proofed, 11/16" wide x 5/32" thick x 9" long, center to center, fitted with steel button. Screws - (3)#8 x 1-3/4" flat head wood screws. Channel - Extruded aluminum 13-1/2" long with (3) #8 x 3/4" flat head wood screws.

SHORTER LENGTHS AVAILABLE BY SPECIAL ORDER

SBI #	HAND	COLOR	CHANNEL	PACKAGE	CASE QTY.
36-144	RH shown	LIGHT BRONZE	NO	BAGGED	24
36-144AL	RH shown	ALUMINUM	NO	BAGGED	24
36-145	LH opposite	LIGHT BRONZE	NO	BAGGED	24
36-145AL	LH opposite	ALUMINUM	NO	BAGGED	24
36-144BX	RH shown	LIGHT BRONZE	NO	BOXED	24
36-144ALBX	RH shown	ALUMINUM	NO	BOXED	24
36-145BX	LH opposite	LIGHT BRONZE	NO	BOXED	24
36-145ALBX	LH opposite	ALUMINUM	NO	BOXED	24
36-144BXA	RH shown	LIGHT BRONZE	YES	BOXED	24
36-144ALBXA	RH shown	ALUMINUM	YES	BOXED	24
36-145BXA	LH opposite	LIGHT BRONZE	YES	BOXED	24
36-145ALBXA	LH opposite	ALUMINUM	YES	BOXED	24





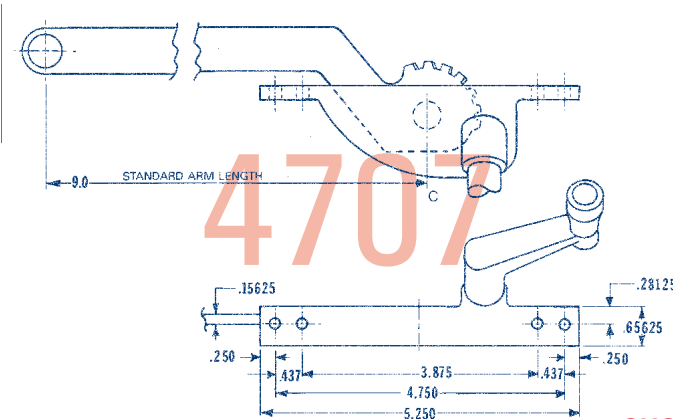
4706 Steel Casement Operator

Specifications: Housing and crank - Zinc die cast. #5 crank is standard. Arm - High carbon steel, rustproof, 11/16" wide x 5/32" thick x 9" long, center to center, fitted with steel button. Screws - (4) #10-24 x 3/8" pan head machine screws.

SHORTER LENGTHS AVAILABLE BY SPECIAL ORDER

SBI #	HAND	COLOR	PACKAGE	CASE QTY
36-142-9	RH opposite	LIGHT BRONZE	BAGGED	24
36-142AL-9	RH opposite	ALUMINUM	BAGGED	24
36-143-9	LH shown	LIGHT BRONZE	BAGGED	24
36-143AL-9	LH shown	ALUMINUM	BAGGED	24
36-142-9BX	RH opposite	LIGHT BRONZE	BOXED	24
36-142AL-9BX	RH opposite	ALUMINUM	BOXED	24
36-143-9BX	LH shown	LIGHT BRONZE	BOXED	24
36-143AL-9BX	LH shown	ALUMINUM	BOXED	24

*Original Not Available.
Suitable Substitute
Listed Below*



4707 Steel Casement Operator

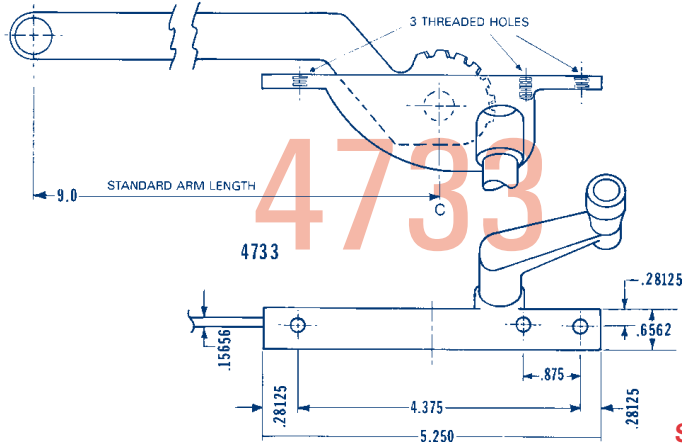
Specifications: Housing and crank -Zinc die cast. #5 crank is standard. Arm - High carbon steel, rust proof, 11/16" wide x 5/32" thick x 9" long, center to center. Screws -(4)#10-24 x 3/8" pan head machine screws.

SHORTER LENGTHS AVAILABLE BY SPECIAL ORDER

SBI #	HAND	COLOR	PACKAGE	CASE QTY
36-311	LH opposite	BROWN	BAGGED	24
36-312	LH opposite	ALUMINUM	BAGGED	24
36-313	RH shown	BROWN	BAGGED	24
36-314	RH shown	ALUMINUM	BAGGED	24



*Original Not Available.
Suitable Substitute
Listed Below*

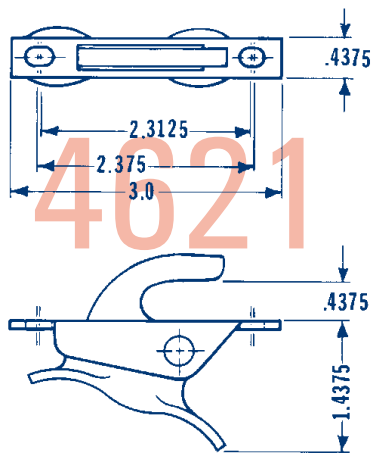


4733 Thorn and Fenestra Replacement

Specifications: Housing and crank - Zinc die cast. #5 crank is standard. Arm - High carbon steel, rust proofed, 11/16" wide x 5/32" thick x 9" long, center to center. Housing furnished with 3 tapped holes #12-24, 4-3/8" center to center, thus making a replacement for Thorn and Fenestra. Screws Furnished.

SHORTER LENGTHS AVAILABLE BY SPECIAL ORDER

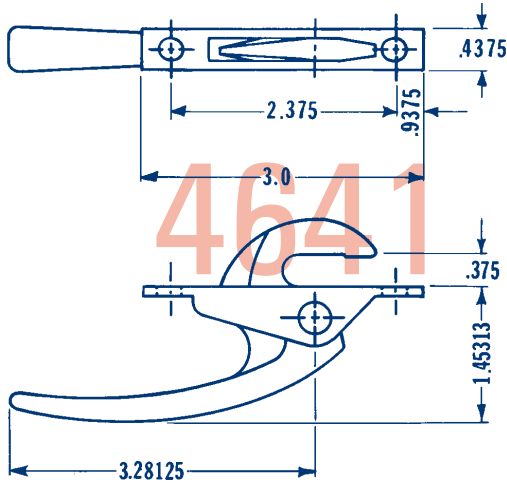
SBI #	HAND	COLOR	PACKAGE	CASE QTY
36-134	RH shown	BROWN	BAGGED	24
36-134A	RH shown	ALUMINUM	BAGGED	24
36-135	LH opposite	BROWN	BAGGED	24
36-135A	LH opposite	ALUMINUM	BAGGED	24



4621 Butterfly Locking Handle

Specifications: Handle - Zinc die cast
Base - Stamped Steel. Finish - Bronze or Aluminum. Screws - #10-24 x 5/16" pan head machine screws.

SBI #	COLOR	PACKAGE	CASE QTY
900-225	ALUMINUM	BAGGED	25
900-225B	LIGHT BRONZE	BAGGED	25

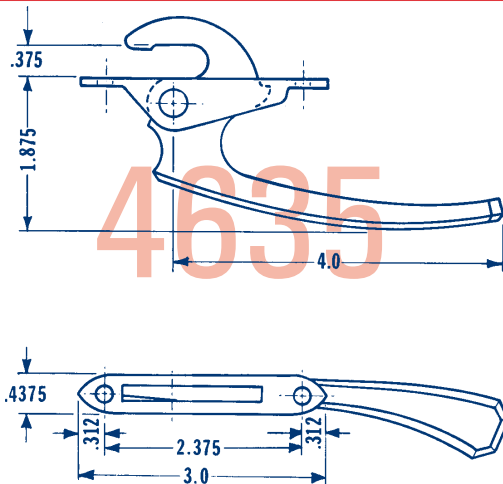


4641 Straight Locking Handle

Specifications: Handle - Zinc die cast
Base - Stamped Steel. Finish - Bronze or Aluminum. Screws - #10-24 x 5/16" pan head machine screws.

SBI#	COLOR	PACKAGE	CASE QTY
34-71	BRONZE	BAGGED	25
34-71AL	ALUMINUM	BAGGED	25

OTHER COLOR AVAILABLE WITH MINIMUM OF 100 PIECES



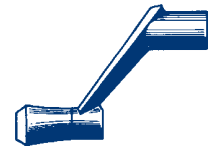
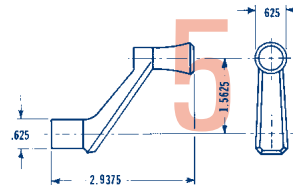
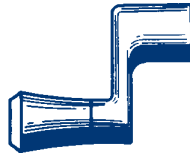
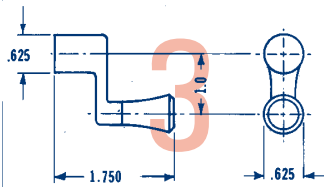
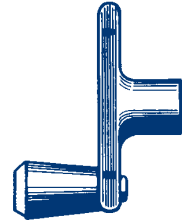
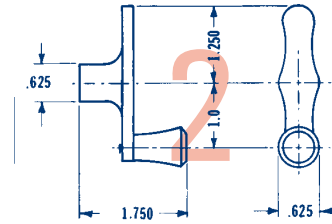
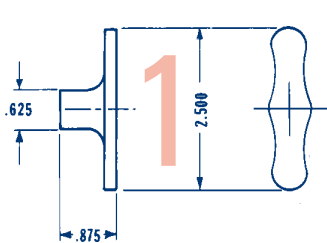
4635 Custom Locking Handle

Specifications: Handle - Zinc die cast. Base - Stamped Steel. Finish - Bronze, Aluminum or White. Screws - #10-24 x 5/16" pan head machine screws. Specify left or right hand when ordering.p

SBI#	HAND	COLOR	PACKAGE	CASE QTY
34-54	RH	BROWN	BAGGED	25
34-54LB	RH	LIGHT BRONZE	BAGGED	25
34-55	LH	BROWN	BAGGED	25
34-55LB	LH	LIGHT BRONZE	BAGGED	25
34-56	RH	ALUMINUM	BAGGED	25
34-57	LH	ALUMINUM	BAGGED	25

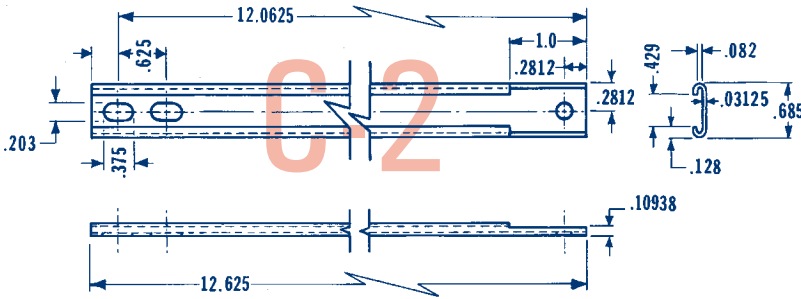
OTHER COLOR AVAILABLE WITH MINIMUM OF 100 PIECES





#1, #2, #3, #5 Replacement Cranks Bore Diameter 5/16"

SBI#	NUMBER	COLOR	PACKAGE	CASE QTY
900-7840	#1	BRONZE	BAGGED	100
900-7840AL	#1	ALUMINUM	BAGGED	100
37-168	#2	BRONZE	BAGGED	100
37-168AL	#2	ALUMINUM	BAGGED	100
37-169	#3	BRONZE	BAGGED	100
37-169AL	#3	ALUMINUM	BAGGED	100
37-102	#5	ALUMINUM	BAGGED	100
37-103	#5	BRONZE	BAGGED	100
37-103BG	#5	BEIGE	BAGGED	100

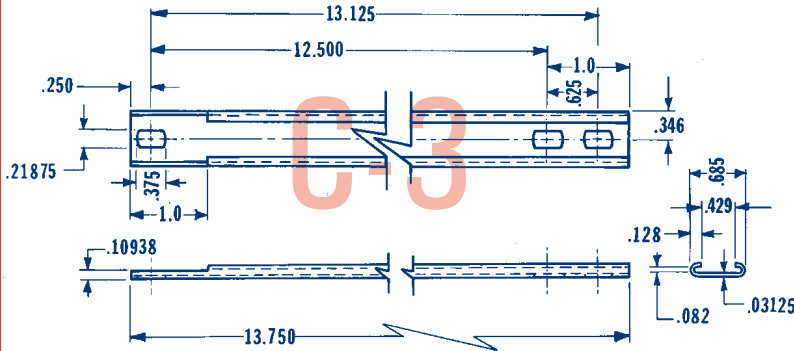


C-2 Channel Guide for Metal Windows

Type C-2 - Steel, rustproof. 12-5/8" overall with 3 elongated holes - 1 hole one end and two holes the other end.

SBI# 900-9959 CASE QTY 100

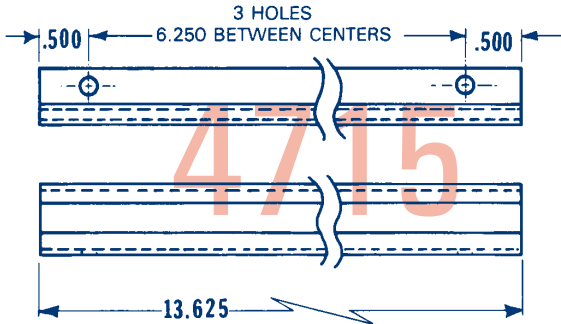
*Original Not Available.
Suitable Substitute
Listed Below*



C-3 Channel Guide for Metal Windows

Type C-3 - Aluminum or stainless steel. 13 3/4" overall with 3 elongated holes - 1 hole one end and two holes the other end.

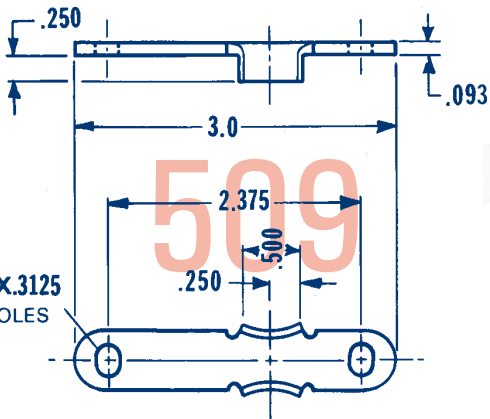
SBI#	MATERIAL	CASE QTY
38-51	Aluminum	100
38-60	Stainless Steel	100



4715 Channel Guide For Wood Windows

Aluminum channel with (3) #8 x 3/4" round head wood screws

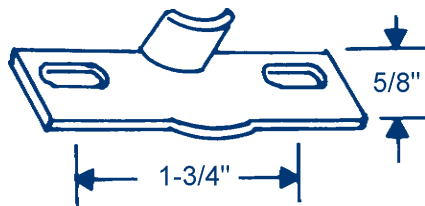
SBI #	CASE QTY
38-54	100



509 Keeper

Stamped, Rustproof.
Two horizontal slots.

SBI #	MATERIAL	CASE QTY
50-685	Steel	100
50-685A	Aluminum	100



Keeper

SBI #	MATERIAL	CASE QTY
50-659	Stamped Steel	100