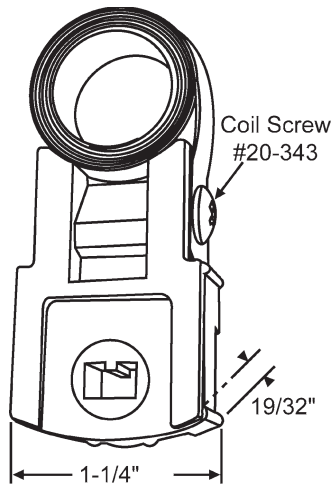
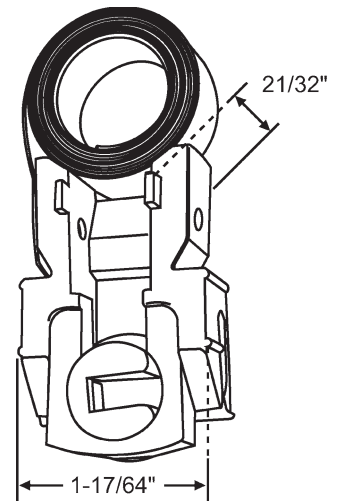
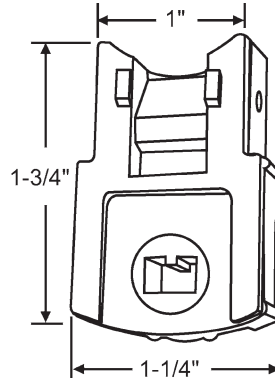


Sash Support Systems

96M Series Constant Force Balance System



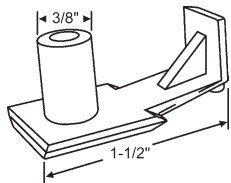
Old Style
Use New Style from Chart Below



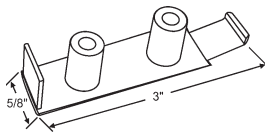
Part #	Single or Double Coil	Number Stamped on Coil
96-M26	Single	335
96-M9	Single	440
96-M5	Single	5 or 540
96-M3	Single	6 or 640
96-M7	Single	7 or 740
96-M28	Single	8 or 840
96-M21	Single	832
96-M6	Double	335/335
96-M17	Double	440/440
96-M8	Double	440/540
96-M10	Double	540/540
96-M12	Double	540/590
96-M11	Double	540/640
96-M27	Double	640/640
96-M13	Double	740/740
96-M29	Double	840/840

Part #	Single or Double Coil	Number Stamped on Coil
96-M22	Single	5 or 540
96-M3F	Single	6 or 640
96-M7F	Single	7 or 740
96-M28F	Single	8 or 840
96-M21F	Single	832
96-M17F	Double	440/440
96-M2	Double	440/540
96-M18	Double	540/540
96-M25	Double	540/640
96-M27F	Double	640/640
96-M31	Double	640/740
96-M4	Double	740/740

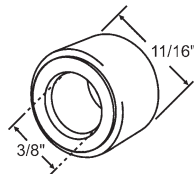
96M Series Constant Force Balance System Accessories



96-M14C
Clip

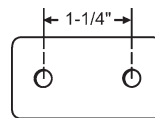


96-M14
Detent Clip

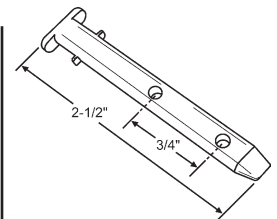


Part #	Color	Diameter
96-M15	Dark Gray	21/32"
96-M15BL	Black	21/32"
96-M15BZ	Bronze	41/64"
96-M15G	Gray	11/16"
96-M15T	Tan	41/64"
96-M15W	White	43/64"

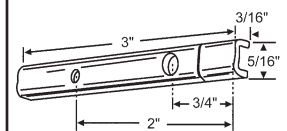
Bushing



96-M16
Guide



96-M30
Pivot Bar. Zinc



96-M23
Universal Pivot Bar