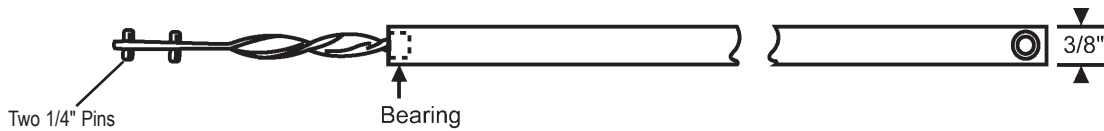


## 83-P Series Balance

### 3/8" Tilt Tube Balance



#### Ordering Information

1. Measure plastic tube length.
2. Identify bearing color by looking down into the tube where the rod comes out. Refer to general information #1.
3. Select the part number from the chart below if 2 1/4" pin configuration.
4. If different configuration, select appropriate pin configuration from the chart and add the number to the end of the part number.

#### Example Ordering Chart

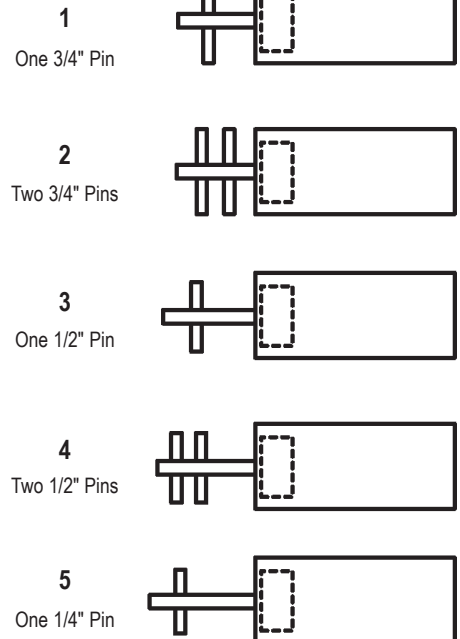
| Balance Length | Tube Color | Pin Configuration | Complete Part Number |
|----------------|------------|-------------------|----------------------|
| 26"            | White      | -                 | 83-P26W              |
| 19"            | Black      | 2                 | 83-P19B2             |

#### General Information

1. The bearing (or Pawl) colors used on the 83P Series balance are white for sash weighing up to 18 lbs., and yellow for sash weighing 18 to 30 lbs. If your sash weighs between 18 and 30lbs, add HD after the part number. Example: If ordering a 36" balance for a 23 lb. sash, your part number is 83-P36HD.
2. Standard tube color is gray. If ordering white, place the letter "W" at the end of the part number. If ordering black, place the letter "B" at the end of the part number.
3. Appropriate tensioning tools are 85-511 and 85-515 as shown on pages 78 and 87.
4. Accessories must be ordered separately.

| Tube Length | Tube Color | Part Number |
|-------------|------------|-------------|
| 15"         | Gray       | 83-P15      |
| 16"         | Gray       | 83-P16      |
| 17"         | Gray       | 83-P17      |
| 18"         | Gray       | 83-P18      |
| 19"         | Gray       | 83-P19      |
| 20"         | Gray       | 83-P20      |
| 21"         | Gray       | 83-P21      |
| 22"         | Gray       | 83-P22      |
| 23"         | Gray       | 83-P23      |
| 24"         | Gray       | 83-P24      |
| 25"         | Gray       | 83-P25      |
| 26"         | Gray       | 83-P26      |
| 27"         | Gray       | 83-P27      |
| 28"         | Gray       | 83-P28      |
| 29"         | Gray       | 83-P29      |
| 30"         | Gray       | 83-P30      |
| 31"         | Gray       | 83-P31      |
| 32"         | Gray       | 83-P32      |
| 33"         | Gray       | 83-P33      |
| 34"         | Gray       | 83-P34      |
| 35"         | Gray       | 83-P35      |
| 36"         | Gray       | 83-P36      |
| 37"         | Gray       | 83-P37      |
| 38"         | Gray       | 83-P38      |
| 39"         | Gray       | 83-P39      |
| 40"         | Gray       | 83-P40      |
| 41"         | Gray       | 83-P41      |
| 42"         | Gray       | 83-P42      |
| 43"         | Gray       | 83-P43      |
| 44"         | Gray       | 83-P44      |
| 45"         | Gray       | 83-P45      |

#### Balance Pin Options



\*Other sizes available upon request.