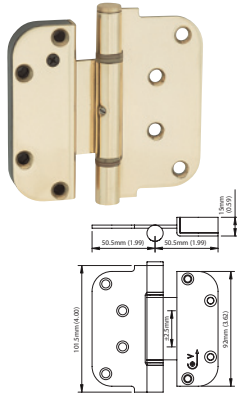


Steel Reinforcements – Makes this new hinge the “Ultimate” with door systems.

- Corrosion Resistant – Specially coated components for improved durability and strength.
- Easy Adjustment – Set hinge has a vertical adjustment feature (+/- 2.5mm) Guide hinge has a horizontal adjustment feature (+/- 2mm).
- Maintenance Free Bearings – No oiling required.
- Security – Non-removable pin (NRP) available for increased security.

- Simple Door Preparation – Quick and easy one pass routing.
- Variety of Finishes – Available in finishes to match your HOPPE® handle sets.
- Designed to carry up to 165lbs. per door.
- Not to be used in commercial applications, especially not in conjunction with a door closer.

Set Hinge



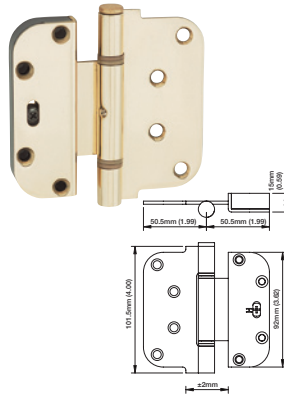
Steel Set Hinges with Non-Removable Pin

| Part # | Finish |
|-------------|-------------------|
| 850-8762439 | Polished Brass |
| 850-8762455 | Polished Chrome |
| 850-8762703 | Brushed Chrome |
| 850-8762487 | White Powder Coat |
| 850-8762519 | Gold Powder Coat |
| 850-2307831 | Rustic Umber |
| 850-8762535 | Matte Black |

Brass Set Hinges with Non-Removable Pin

| Part # | Finish |
|-------------|------------------|
| 850-8762655 | Polished Brass |
| 850-8762671 | Antique Brass |
| 850-2086311 | Satin Nickel |
| 850-2086354 | Antique Nickel |
| 850-8762687 | Oil Rubbed Brass |

Guide Hinge



Steel Guide Hinges with Removable Pin

| Part # | Finish |
|-------------|-------------------|
| 850-8762435 | Polished Brass |
| 850-8762451 | Polished Chrome |
| 850-8762699 | Brushed Chrome |
| 850-8762483 | White Powder Coat |
| 850-8762515 | Gold Powder Coat |
| 850-2307823 | Rustic Umber |
| 850-8762531 | Matte Black |

Brass Guide Hinges with Removable Pin

| Part # | Finish |
|-------------|------------------|
| 850-8762651 | Polished Brass |
| 850-8762667 | Antique Brass |
| 850-2086303 | Satin Nickel |
| 850-2086346 | Antique Nickel |
| 850-8762683 | Oil Rubbed Brass |

Latch & Deadbolt Screws



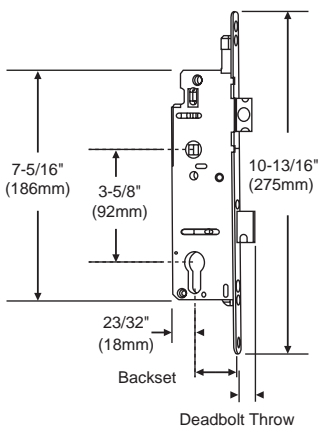
Mounting Screws 2 Per Pack

| 3/4" Long | 1-1/2" Long | Finish |
|-------------|-------------|-------------------------------|
| 850-2100785 | 850-2104381 | Polished Brass/ Brushed Brass |
| 850-2100793 | 850-2104399 | Antique Brass |
| 850-2100831 | 850-2104436 | Brushed Chrome/ Satin Nickel |

| 3/4" Long | 1-1/2" Long | Finish |
|-------------|-------------|------------------------------------------|
| 850-2100814 | 850-2104410 | Polished Chrome/ Brushed Stainless Steel |
| 850-2100822 | 850-2104428 | Oil Rubbed Brass/ Matte Black |
| 850-2100849 | 850-2104444 | Antique Nickel |

Swing Door Accessories

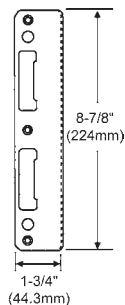
Single Point Gear Box



| Part # | Backset | Deadbolt Throw |
|-------------|---------|----------------|
| 850-8778179 | 1-3/8" | 1/2" |
| 850-8778175 | 1-3/4" | 1/2" |
| 850-8778151 | 1-3/8" | 1" |
| 850-8777959 | 1-3/4" | 1" |
| 850-2881323 | 2-3/8" | 1" |
| 850-2881331 | 2-3/4" | 1" |

Latch & Deadbolt Strike

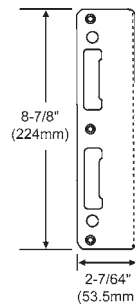
For 1-3/4" Door



| Part # | Finish |
|-------------|-------------------|
| 850-8787715 | Polished Brass |
| 850-8787719 | Antique Brass |
| 850-8787735 | Matte Black |
| 850-8787723 | Polished Chrome |
| 850-8787727 | Brushed Chrome |
| 850-8787731 | Oil Rubbed Brass |
| 850-8787739 | White Powder Coat |
| 850-8787747 | Stainless Steel |
| 850-2127443 | Satin Nickel |
| 850-2127427 | Antique Nickel |

Curved Lip with Cylinder Hole and Non-Handed
Other Configurations Available

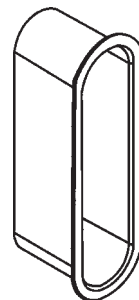
For 2-1/4" Door



| Part # | Finish |
|-------------|-------------------------|
| 850-2014019 | Polished Brass |
| 850-2014027 | Stainless Brass |
| 850-2014334 | Oil Rubbed Brass |
| 850-2014764 | Brushed Chrome |
| 850-2014781 | Polished Chrome |
| 850-2014799 | White Powder Coat |
| 850-2014801 | Matte Black Powder Coat |

Curved Lip with Cylinder Hole and Non-Handed
Other Configurations Available

Dust Cap



| Part # | Finish |
|-------------|--------|
| 850-8786547 | Black |

For Latch and Deadbolt Strike
or Tongue Strike

Tongue Strikes

| Part # | Finish |
|-------------|------------------|
| 850-8784675 | Brass |
| 850-1964522 | Stainless Steel |
| 850-2121244 | Oil Rubbed Brass |

Curved Lip

| Part # | Finish |
|-------------|------------------|
| 850-2025181 | Brass |
| 850-2025199 | Stainless Steel |
| 850-2025842 | Oil Rubbed Brass |

Radius Lip

| Part # | Finish |
|-------------|------------------|
| 850-8784699 | Brass |
| 850-8784707 | Stainless Steel |
| 850-8786551 | Antique Brass |
| 850-8786559 | Brushed Chrome |
| 850-8784703 | Oil Rubbed Brass |
| 850-8786575 | Matte Black |
| 850-2127486 | Satin Nickel |

Flat

Shootbolt Strikes

| Part # | Hand | Finish |
|-------------|------|------------------|
| 850-8784095 | LH | Brass |
| 850-8784091 | LH | Stainless Steel |
| 850-2117325 | LH | Oil Rubbed Brass |
| 850-8784067 | RH | Brass |
| 850-8783923 | RH | Stainless Steel |
| 850-2117261 | RH | Oil Rubbed Brass |

Curved Lip Single Door

Shootbolt Strikes

| Part # | Finish |
|-------------|-----------------|
| 850-2135259 | Brass |
| 850-2098911 | Stainless Steel |

Single Door

| Part # | Finish |
|-------------|-----------------|
| 850-2135241 | Brass |
| 850-2098945 | Stainless Steel |

Double Door

Socket Strikes

| Part # | Finish |
|-------------|------------------|
| 850-8784663 | Brass |
| 850-8784667 | Oil Rubbed Brass |

3/4" Throw

| Part # | Finish |
|-------------|--------|
| 850-2024962 | Brass |

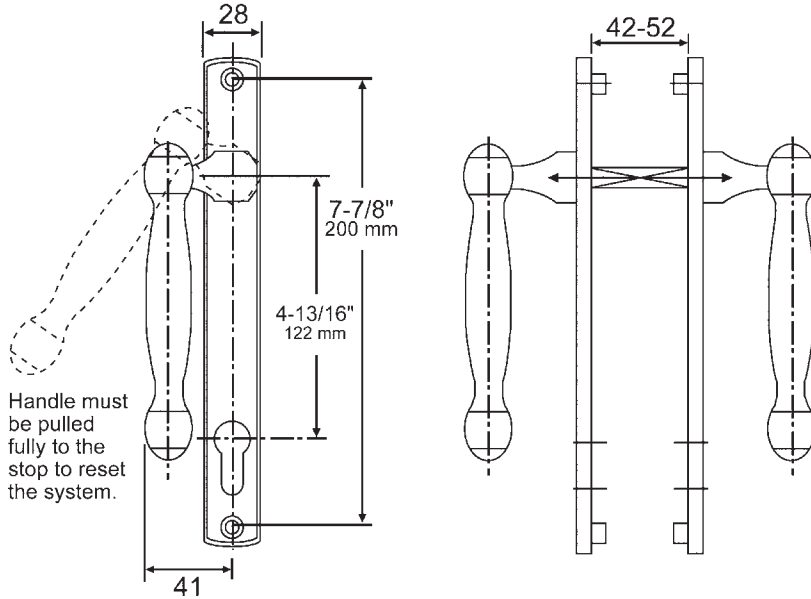
1" Throw

Sliding Door Handle Sets fit Fuhr gear system- 1-3/4" panel width

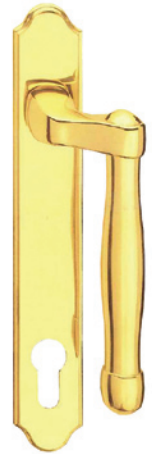


574 Handle with 392 Plate

Accessories



Handle must be pulled fully to the stop to reset the system.



Optional 374 Plate

Striker Plate Options Currently Available:
16mm (flat rail system) and 26mm (U-rail system)

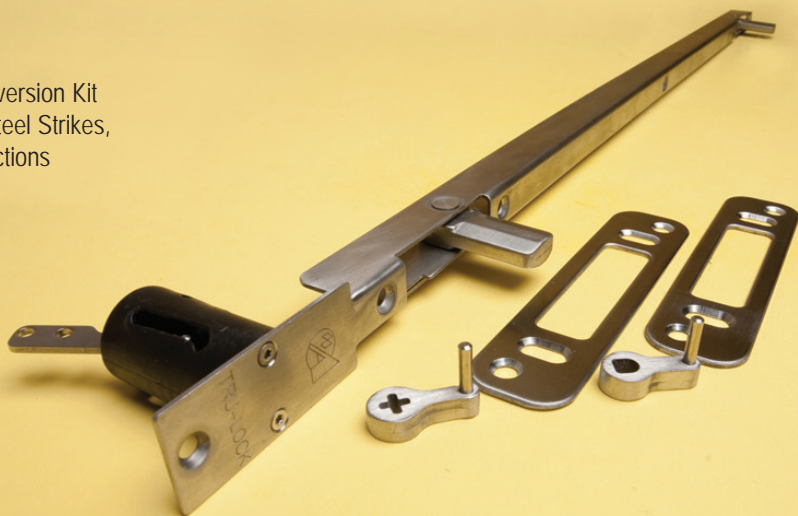
Note: Multi-Point Locking Systems Sold Separately

| Active with Cylinder | | | | | | | |
|--------------------------|-----------------------|----------------------|-----------------------|------------------------|----------------|----------------------|----------------------|
| | F71 Polished Brass | F73 Antique Brass | F41 Brushed Chrome | F49 Polished Chrome | F9010 White | F9714 Matte Black | F79 Oil Rub Brass |
| 574/374 | 850-8763211 | 850-8763219 | 850-8764911 | 850-8763231 | 850-8763239 | 850-8771275 | 850-8764935 |
| 574/392 | 850-8763255 | 850-8763267 | 850-8763287 | 850-8763279 | 850-8763311 | 850-8771291 | 850-8763303 |
| Inactive with Thumb-turn | | | | | | | |
| 574/374 | 850-8765883 | 850-8765903 | 850-8764923 | 850-8763223 | 850-8763243 | 850-8771279 | 850-8764939 |
| 574/392 | 850-8763259 | 850-8763271 | 850-8763291 | 850-8763283 | 850-8763315 | 850-8771295 | 850-8763299 |
| Dummy Sets | | | | | | | |
| 574/374 LH EXT | 850-8764507 | 850-8764515 | 850-8764523 | 850-8764531 | 850-8764555 | 850-8772347 | 850-8764539 |
| 574/374 RH EXT | 850-8764511 | 850-8764519 | 850-8764527 | 850-8764535 | 850-8764559 | 850-8772351 | 850-8764543 |
| 574/392 LH EXT | 850-8764451 | 850-8764459 | 850-8773199 | 850-8764475 | 850-8764499 | 850-8772355 | 850-8764483 |
| 574/392 RH EXT | 850-8764455 | 850-8764463 | 850-8773203 | 850-8764479 | 850-8764503 | 850-8772359 | 850-8764487 |

Convert Your Single Point Dead Bolt into a Multi-Point Locking System

56-161

Multi-Point Lock Conversion Kit
Includes 2 Stainless Steel Strikes,
Screws & Instructions



Kit Plate Cover

Kit Plate Cover Comes with 2 Strikes,
Multi-Point Plate and all necessary Screws

| Part # | Finish |
|-----------|-------------------|
| 56-162 | Brass |
| 56-163 | Oil Rubbed Bronze |
| 56-165SNK | Satin Nickel |

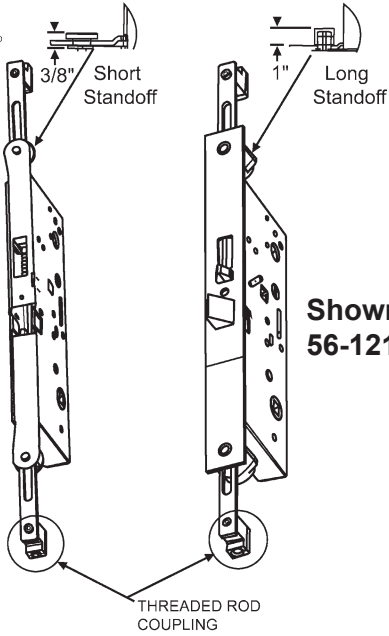


- Excellent Retro Fit for Schlage, Kwikset, Wiser
- Increased Home Security – Capable of Grade 40 per ASTM F476
- Compatible with top brand handle hardware allowing consumer wide selection of decorative handle choices
- Very intuitive function for homeowner – operates the same as standard deadbolts today
- Constructed from stainless steel and composite materials
- Works on steel, fiberglass, aluminum and wood doors
- Works with both standard 2-3/8" and 2-3/4" double bore backsets
- Easy installation, instructions included.



Swing Door Hardware

Concealed Multi-Point Swing Door Lock System



Shown:
56-170

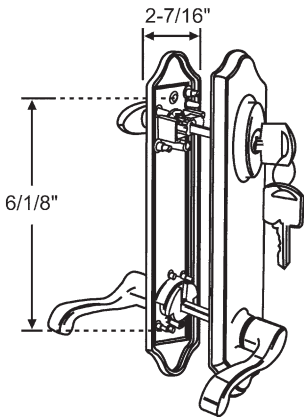
Shown:
56-121

| Part # | Version | Backset | Coupling Thread | Standoff | Faceplate Attached |
|---------|---------|---------|-----------------|----------|--------------------|
| 56-121 | Active | 60mm | 1/4-20 | Long | Yes |
| 56-151 | Active | 60mm | 1/4-20 | Short | No |
| 56-175* | Active | 60mm | 5/16-18 | Short | No |
| 56-170 | Passive | 60mm | 1/4-20 | Short | No |
| 56-178* | Passive | 60mm | 5/16-18 | Short | No |
| 56-122 | Passive | 60mm | 1/4-20 | Long | Yes |

* Used Exclusively by PGT

Swing Door Handle Sets

Prado Active Swing Door Handle Set



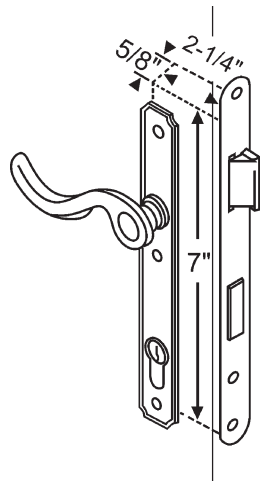
- Fits 2-1/8" Cross Bore on 6-3/32" Centers.
- Fits All Peachtree Prado Patio Doors
- Fits Right or Left Hand Doors

| Part # | Finish |
|----------|----------------|
| 55-146AB | Antique Brass |
| 55-146PB | Polished Brass |
| 55-146CP | Chrome Plated |

This lockset also can be used on older Prado doors with a 1-3/4" cross bore.

Peachtree

Solid Brass Mortise Lockset



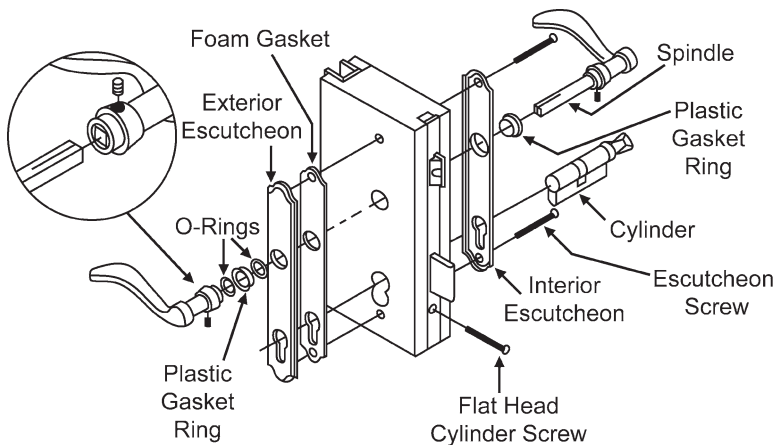
| Part # | Finish |
|----------|-----------------|
| 55-126PB | Polished Brass |
| 55-126PC | Polished Chrome |

A Good Replacement For Atrium Door



Active Lever Handle Set (Shown)
Thumb Turn w/Key

| Part # | Finish |
|-----------|----------------|
| 55-111BRS | Brass |
| 55-111AB | Antique Brass |
| 55-111BC | Brushed Chrome |
| 55-111CP | Chrome Plated |
| 55-111W | White |



Dummy Lever Handle Set -
No Thumb Turn, No Key

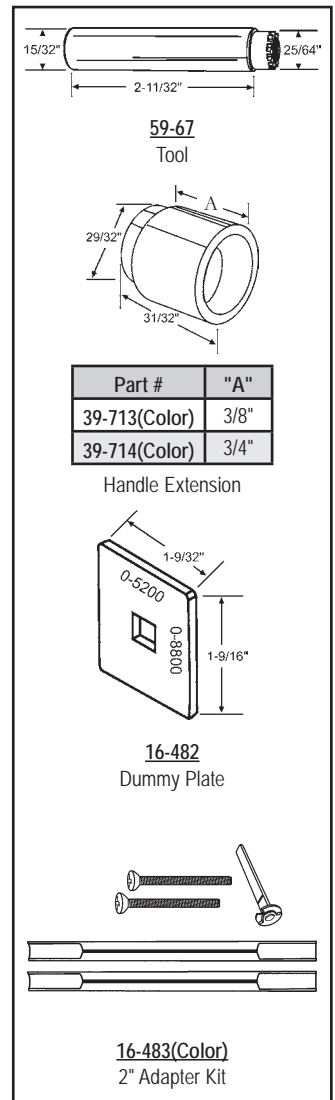
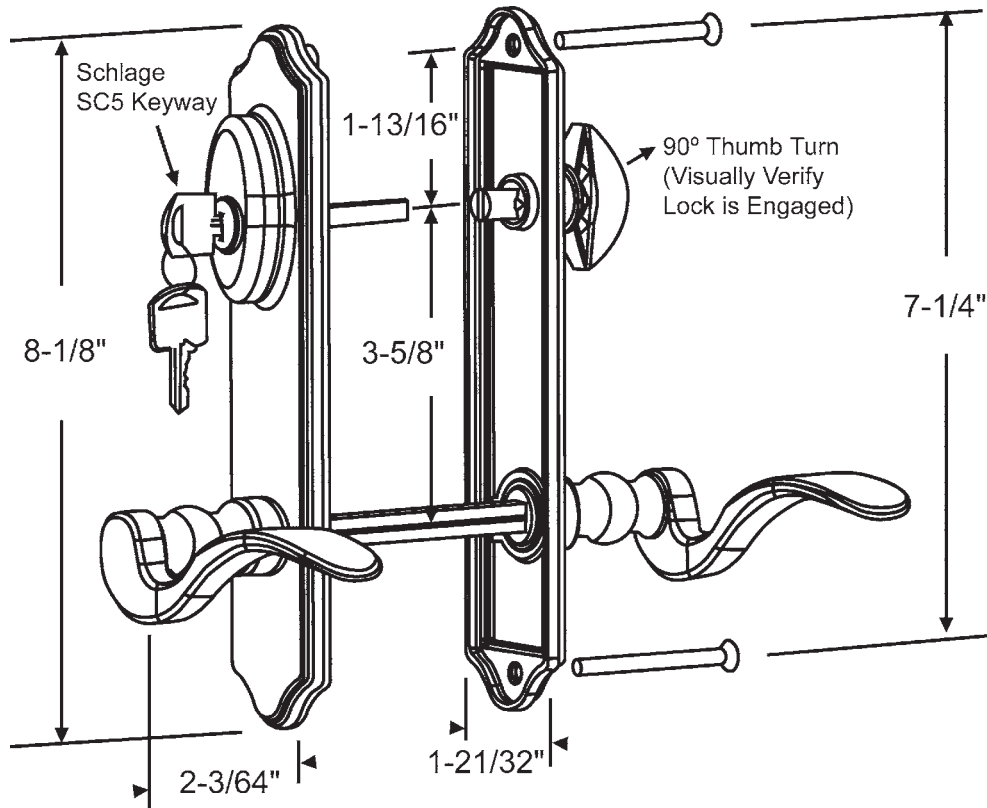
| Part # | Finish |
|-----------|----------------|
| 55-157BRS | Brass |
| 55-157AB | Antique Brass |
| 55-157BC | Brushed Chrome |
| 55-157CP | Chrome Plated |
| 55-157W | White |

Swing Door Handle Sets



Swing Door Trim Sets

Used by Milgard, Marvin, Jeld Wen (Caradco), Cantera, Delta & PGT)



Active (Shown) - Thumb Turn w/Key

| Part # | Finish |
|------------|--------------------|
| 55-101AB | Antique Brass |
| 55-101BC | Brushed Chrome |
| 55-101BRS | PVD Polished Brass |
| 55-101ORBZ | Oil Rubbed Bronze |
| 55-101SNK | Satin Nickel |
| 55-101PB | Polished Brass |
| 55-101PC | Polished Chrome |
| 55-101W | White |

Handle sets are provided keyed differently. The most economical way to have keyed alike is to contact a locksmith or order 16-133KA (for 1-3/4" doors) or 16-133KA-2-1/2 (for 2-1/2" doors). Specify finish when ordering cylinders.

Passive* - No Thumb Turn, No Key

| Part # | Finish |
|------------|--------------------|
| 55-102AB | Antique Brass |
| 55-102BC | Brushed Chrome |
| 55-102BRS | PVD Polished Brass |
| 55-102ORBZ | Oil Rubbed Bronze |
| 55-102SNK | Satin Nickel |
| 55-102PB | Polished Brass |
| 55-102PC | Polished Chrome |
| 55-102W | White |

* When Using the Passive Swing Door Trim Set as a Dummy Set You Need to Order a #16-482 Dummy Plate

All the Above Swing Door Trim Sets are for a 1.7 (1-3/4") Door. For 2.0 (2") Door (Used by PGT), you Need to Order a #16-483(color) 2" Adapter Kit. (Includes Longer Screws, Longer Shaft & Tailpiece). Check for Colors Available for 2.0 (2") Application.

TOLL FREE: 800-352-0800

2011 PGI©

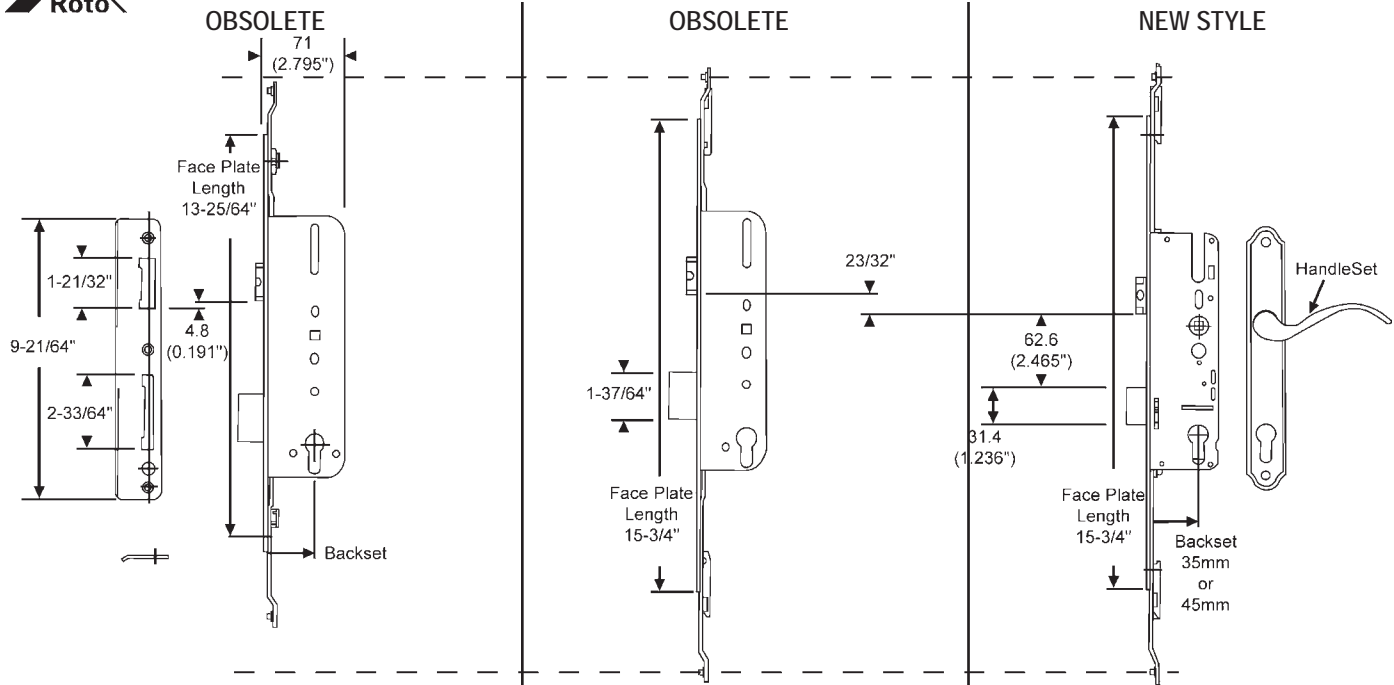


Swing Door Hardware

Swing Door Handle Sets



New Style Gear Box for Multi Point Systems



ALL SHOWN IN LOCKED POSITION

NOTE: If replacing an old style Gear Box (see the 2 listed as obsolete) with the New Style Gear Box (see 56-106 or 56-105 listed above) the door will need to be notched out 23/32", to accept the position of the New Style Gear Box. Also the Strike Plate needs to be lowered 23/32", to line up properly with the latch and Dead Bolt on the New Gear Box. Any questions please contact your sales Representative

| Part # | Hand |
|----------|----------|
| 12-313PB | Shown |
| 12-314PB | Opposite |

Brass Strike

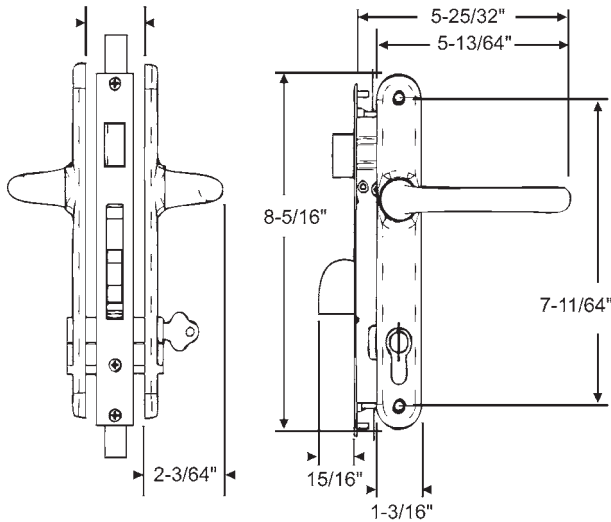
| Part # | Backset |
|--------|---------|
| 56-106 | 35mm |
| 56-105 | 45mm |

Gear Box

INTERLOCK

ASSA ABLOY

1-1/2" Min / 1- 49/64" Max



MILLTON 2-POINT LOCKSETS

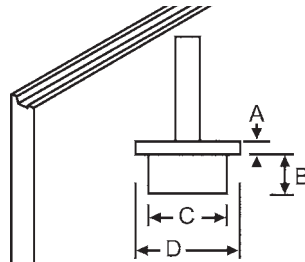
Through innovative design - combined with rigorous testing - comes the comprehensive range of Interlock Millton narrow stile, mortise lever locks. Attractive, durable, easy to install and operate, Millton fits a wide range of applications, and is the perfect complement to today's architecture.

Features:

- Standard 2-Point
- Complete lockset without striker, and 30mm backset
- Stylish Verona handle
- C4 keyway (standard 5-pin)
- Concealed fixing on external escutcheon plate.
- Latch is deadlocked by key

| Part # | Description |
|-------------|-----------------------------------------|
| 55-100W | White (Inside & Out) |
| 55-100W/SCH | White (Inside) & Satin Chrome (Outside) |

Eurogroove Stepped Router Bits



| SBI # | MFG. | A | B | C | D |
|----------|-------------|-------|--------|--------|--------|
| 59-69S | Schlegel | 1/8" | 1/4" | 3/4" | 1" |
| 59-69T | Truth | 1/8" | 13/32" | 9/16" | 51/64" |
| 59-69GU | GU | 3/32" | 3/8" | 31/64" | 21/32" |
| 59-69R | Roto- Frank | 3/32" | 23/64" | 31/64" | 5/8" |
| 59-69 | Hoppe | 1/8" | 23/64" | 1/2" | 5/8" |
| 59-69W | Winkhaus | 3/32" | 23/64" | 31/64" | 51/64" |
| 59-69W-1 | Winkhaus | 3/32" | 23/64" | 31/64" | 41/64" |