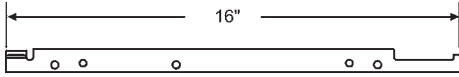
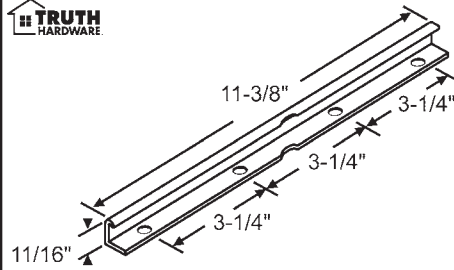


Window Replacement Hardware

Casement and Awning Tracks

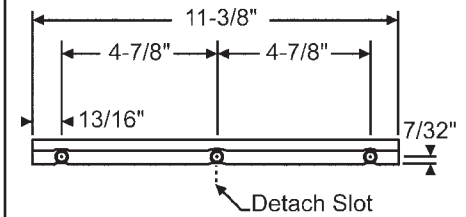


Part #	Hand
750-1361414	Shown
750-1361415	Opposite



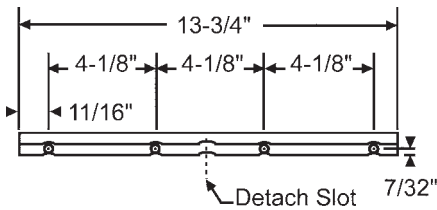
Part #	Material
38-53	Steel
38-53CG	CoastGard

For Casement Windows



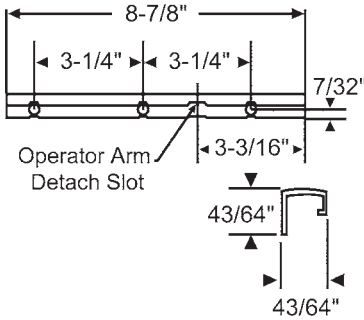
Part #	Material
38-55	Steel
38-55SS	Stainless Steel

For Casement Windows



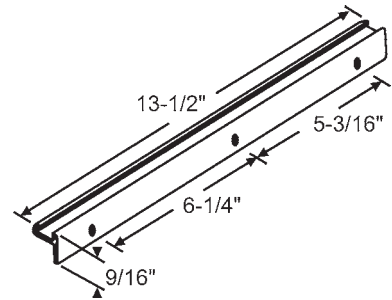
Part #	Material
38-59	Steel

For Casement Windows



Part #	Material
38-65	Steel

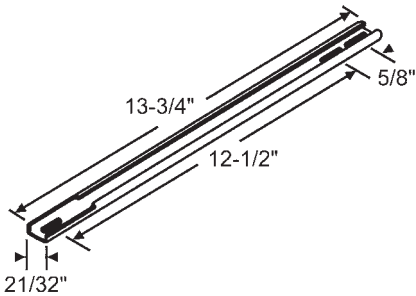
For Casement Windows



Part #	Material
38-54	Aluminum

For Casement Windows

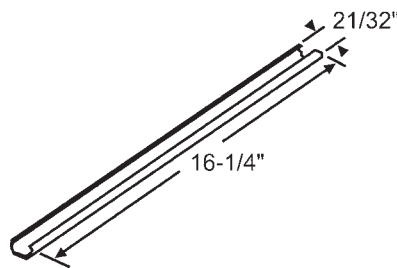
Dorchester



Part #	Material
38-51ST	Steel

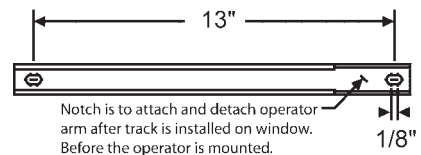
For Casement Windows

Dorchester



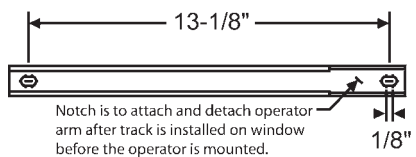
Part #	Material
38-52	Steel

Rust Resistant Coating
For Awning Windows



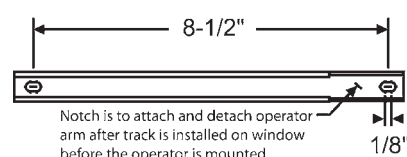
Part #	Material
38-58	Stainless Steel

For Awning Windows



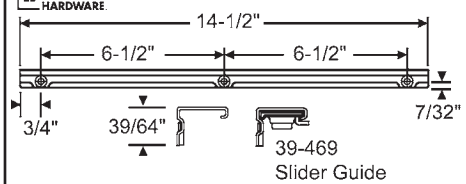
Part #	Material
38-60	Stainless Steel

For Casement Windows



Part #	Material
38-62	Stainless Steel

For Casement Windows

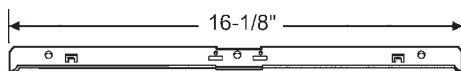


Part #	Material
38-67	Aluminum
38-67SS	Stainless Steel

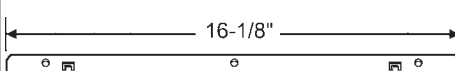
Maxim Casement Track with Slider Guide

Window Replacement Hardware

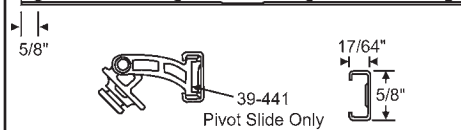
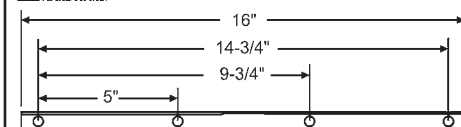
Casement and Awning Tracks



Part #	Material
750-0565808	Aluminum

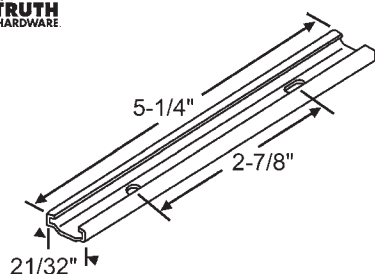


Part #	Material
750-1361204	Aluminum



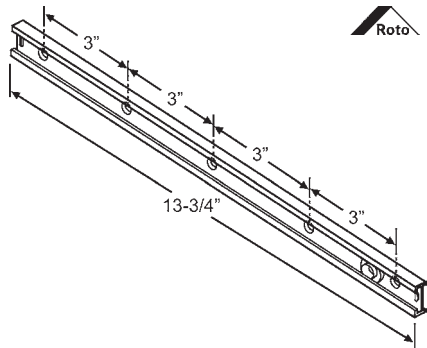
Part #	Material
38-68	Aluminum
38-68SS	Stainless Steel

For Awning Windows with Pivot Slides (2)



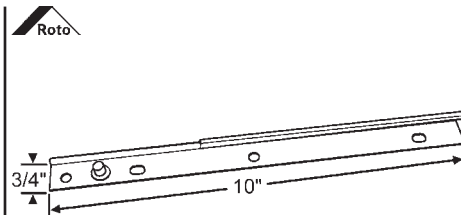
Part #	Material
38-1	Steel

For Casement Windows



Part #	Material
38-172	Aluminum

Surface Mount Track & Roller



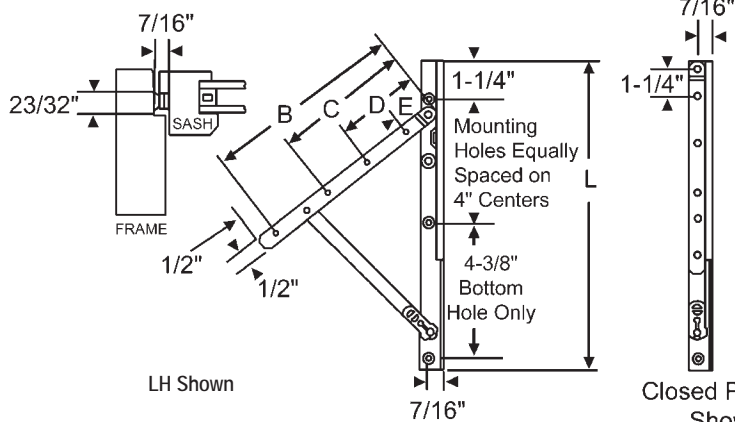
Part #	Material
900-21353T	Steel

For Casement Windows
Pair

Awning Hinges

TRUTH 13 CONCEALED AWNING HINGE

Truth Part #	Finish	Our Part #	Sash Height	Maximum Sash Weight	Hinge Length "L"	"B"	"C"	"D"	"E"
13.13	E-Gard	28-10-14LH & RH	10"-14"	7 LBS.	10"	6-1/4"	4-1/4"	2-5/8"	1-1/4"
13.43	Stainless Steel	28-10-14LHSS & RHSS	10"-14"	7 LBS.	10"	6-1/4"	4-1/4"	2-5/8"	1-1/4"
13.14	E-Gard	28-14-14LH & RH	14"-19"	20 LBS.	14"	6-1/4"	4-1/4"	2-5/8"	1-1/4"
13.44	Stainless Steel	28-14-14LHSS & RHSS	14"-19"	20 LBS.	14"	6-1/4"	4-1/4"	2-5/8"	1-1/4"
13.15	E-Gard	28-18-14LH & RH	19"-26"	38 LBS.	18"	8-1/4"	6-1/4"	2-5/8"	1-1/4"
13.42	Stainless Steel	28-18-14LHSS & RHSS	19"-26"	38 LBS.	18"	8-1/4"	6-1/4"	2-5/8"	1-1/4"
13.16	E-Gard	28-22-14LH&RH	26"-34"	50 LBS.	22"	10-1/4"	6-1/4"	2-5/8"	1-1/4"
13.45	Stainless Steel	28-22-14LHSS & RHSS	26"-34"	50 LBS.	22"	10-1/4"	6-1/4"	2-5/8"	1-1/4"
13.17	E-Gard	28-26-14LH&RH	34"-42"	61 LBS.	26"	12-1/4"	8-1/4"	5-7/16"	2-5/8"



TOLL FREE: 800-352-0800

2011 PGI©



Window Replacement Hardware

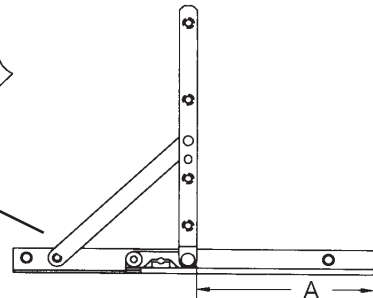
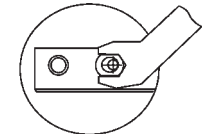
Casement Hinges

TRUTH 14 CONCEALED CASEMENT HINGE

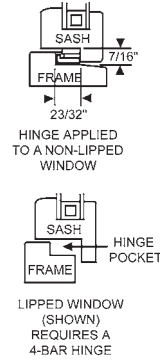
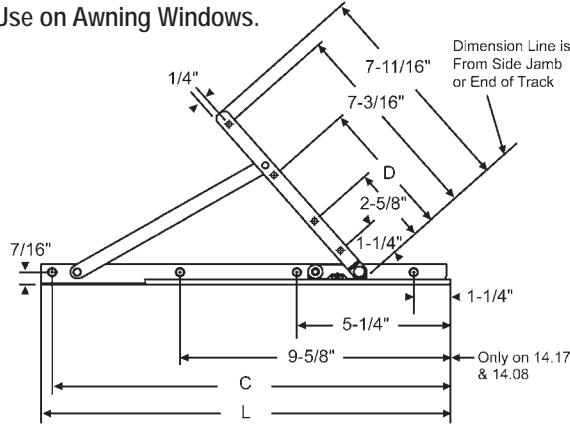
Truth Part #	Finish	Our Part #	"A"	"C"	"D"	"L"	Arm & Rivet	Attachment
14.05	E-Gard	28-15-37 (LL-UR) / 28-15-38 (UL-LR)	4-29/32"	9-5/8"	4-15/16"	10"	Steel	Adjustable Brass Snap-Stud
14.06	E-Gard	28-15-43 (LL-UR) / 28-15-44 (UL-LR)	5-17/32"	9-5/8"	4-15/16"	10"	Steel	Adjustable Brass Snap-Stud
14.08	E-Gard	28-15-49 (LL-UR) / 28-15-50 (UL-LR)	6-15/16"	13-5/8"	4-51/64"	14"	Steel	Adjustable Brass Snap-Stud
14.75	E-Gard	28-15-5 (LL-UR) / 28-15-6 (UL-LR)	4-29/32"	9-5/8"	4-15/16"	10"	Steel	Standard Brass Snap-Stud
14.80	Stainless Steel	28-15-5SS (LL-UR) / 28-15-6SS (UL-LR)	4-29/32"	9-5/8"	4-15/16"	10"	Stainless Steel	Stainless Steel Snap-Stud
14.76	E-Gard	28-15-7 (LL-UR) / 28-15-8 (UL-LR)	5-17/32"	9-5/8"	4-15/16"	10"	Steel	Standard Brass Snap-Stud
14.91	Stainless Steel	28-15-7SS (LL-UR) / 28-15-8SS (UL-LR)	5-17/32"	9-5/8"	4-15/16"	10"	Stainless Steel	Stainless Steel Snap-Stud
14.77	E-Gard	28-15-9 (LL-UR) / 28-15-10 (UL-LR)	2-9/32"	9-5/8"	4-15/16"	10"	Steel	Standard Brass Snap-Stud
14.93	Stainless Steel	28-15-9SS (LL-UR) / 28-15-10SS (UL-LR)	2-9/32"	9-5/8"	4-15/16"	10"	Stainless Steel	Stainless Steel Snap-Stud
14.17	E-Gard	28-15-1 (LL-UR) / 28-15-2 (UL-LR)	6-15/16"	13-5/8"	4-25/32"	14"	Steel	Standard Brass Snap-Stud



Not for Use on Awning Windows.



LL-UR Hinge Shown (Viewed from Outside)

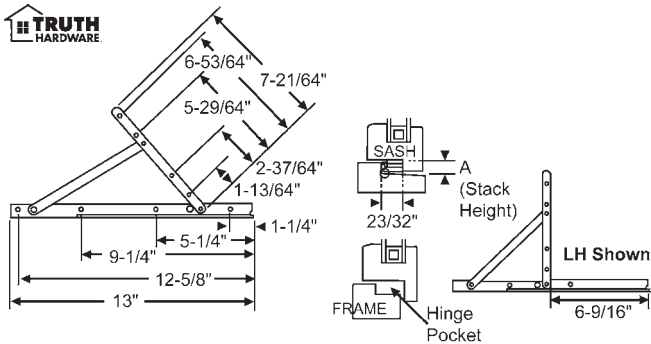


Instructions for Sash Adjustment

1. The amount of sash sag that the HP hinge will correct for is dependent on the ratio of the sash width vs. sash height. To calculate the amount of drag adjustment for any given sash size, take the ratio of width to height multiplied by 1/16". Example: Sash size equals 24" x 36", width to height ratio is .667. Total adjustment is $.667 \times 1/16" = .042$ (approx. 3/64").
2. To adjust a casement sash, first fully open the casement window. Next, loosen the two screws in the bottom hinge adjustment block approximately three turns (do not remove screws). Next, move heel of the sash towards the lock side of the window and re-tighten screws. For severe sash drag, repeat this procedure to the top hinge, except the adjustment is made by shifting the top of the window away from the lock side.

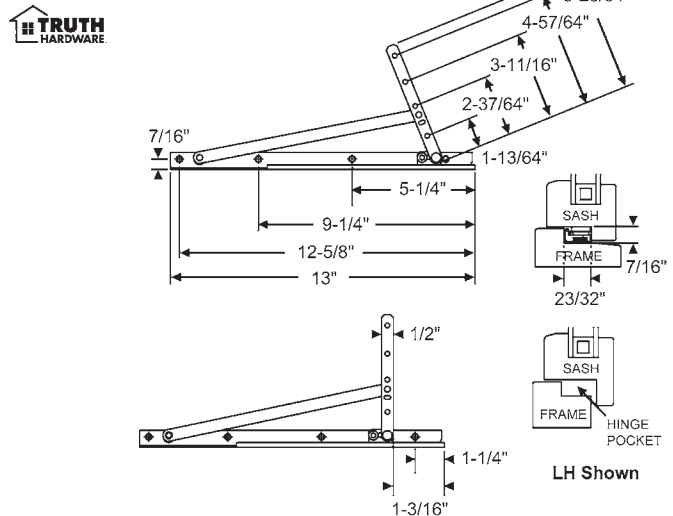
TRUTH'S CONCEALED MAXIM® HINGES

14.97 Washability Hinge has the ability to support a 40" x 84" sash weighing up to 96 lbs., when used with the Maxim® Dual Arm Operator.



Truth Part #	Part #	Hand	Finish	A
14.97	28-15-39	Shown	E-Gard	7/16"
14.97	28-15-40	Opposite	E-Gard	7/16"
14.97	28-15-39SS	Shown	Stainless Steel	7/16"
14.97	28-15-40SS	Opposite	Stainless Steel	7/16"
14.92	28-15-57	Shown	E-Gard	1/2"
14.92	28-15-58	Opposite	E-Gard	1/2"
14.92	28-15-57SS	Shown	Stainless Steel	1/2"
14.92	28-15-58SS	Opposite	Stainless Steel	1/2"

14.12 Egress Hinge has the ability to support a sash weighing up to 69 lbs., when used with the Maxim® Dual Arm Operator.

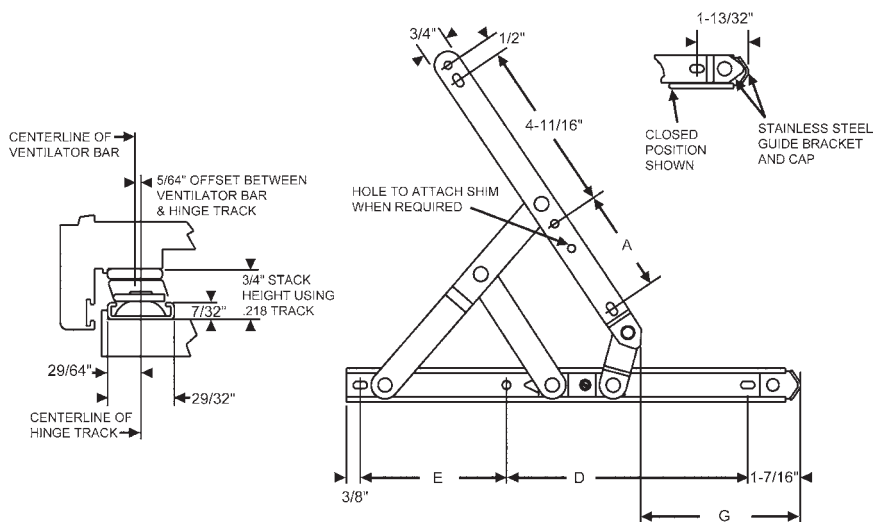


Truth Part #	Part #	Hand	Finish
14.12	28-15-41	Shown	E-Gard
14.12	28-15-42	Opposite	E-Gard
14.12	28-15-41SS	Shown	Stainless Steel
14.12	28-15-42SS	Opposite	Stainless Steel

Window Replacement Hardware

Casement and Awning Hinges

TRUTH'S ANDERBERG 77AL SERIES HINGE



Our Part #	Hinge Length	A	D	E	G
28-10-6	10"	1-13/16"	6-11/32"	2-1/4"	4"
28-12-6	12"	2-13/16"	6-19/32"	4"	4"
28-14-6	14"	3-13/16"	6-15/16"	5-21/32"	4-3/8"
28-16-6	16"	4-13/16"	7-21/32"	6-15/16"	5-1/4"
28-18-6	18"	5-13/16"	8-9/32"	8-5/16"	5-3/4"

Truth Part #	Size	Description	Vent Height Range	Max. Vent Weight	Degree of Opening	Our Part Number	Features
34.47.00.100	10"	Aluminum 4 Bar Hinge w/Stop	12" - 20"	58	63	28-10-6-00	.218 Track with No Shim
34.47.00.102	10"	Aluminum 4 Bar Hinge w/Stop	12" - 20"	58	63	28-10-6-01	.218 Track with .187 Shim
34.47.00.103	10"	Aluminum 4 Bar Hinge w/Stop	12" - 20"	58	63	28-10-6-02	.218 Track with .250 Shim
34.47.00.104	10"	Aluminum 4 Bar Hinge w/Stop	12" - 20"	58	63	28-10-6-05	.350 Track with No Shim
34.47.00.101	10"	Aluminum 4 Bar Hinge w/Stop	12" - 20"	58	63	28-10-6-07	.350 Track with .125 Shim
34.47.00.105	10"	Aluminum 4 Bar Hinge w/Stop	12" - 20"	58	63	28-10-6-06	.350 Track with .187 Shim
34.47.00.107	10"	Aluminum 4 Bar Hinge w/Stop	12" - 20"	58	63	28-10-6-09	.385 Track with No Shim
34.48.00.107	12"	Aluminum 4 Bar Hinge w/Stop	20" - 23"	67	54	28-12-6-10	.218 Track with No Shim
34.48.00.106	12"	Aluminum 4 Bar Hinge w/Stop	20" - 23"	67	54	28-12-6-11	.218 Track with .187 Shim
34.48.00.105	12"	Aluminum 4 Bar Hinge w/Stop	20" - 23"	67	54	28-12-6-12	.218 Track with .250 Shim
34.48.00.104	12"	Aluminum 4 Bar Hinge w/Stop	20" - 23"	67	54	28-12-6-14	.350 Track with No Shim
34.48.00.103	12"	Aluminum 4 Bar Hinge w/Stop	20" - 23"	67	54	28-12-6-37	.350 Track with .187 Shim
34.48.00.101	12"	Aluminum 4 Bar Hinge w/Stop	20" - 23"	67	54	28-12-6-17	.385 Track with No Shim
34.49.00.100	14"	Aluminum 4 Bar Hinge w/Stop	23" - 27"	79	50	28-14-6-18	.218 Track with No Shim
34.49.00.102	14"	Aluminum 4 Bar Hinge w/Stop	23" - 27"	79	50	28-14-6-24	.350 Track with No Shim
34.49.00.105	14"	Aluminum 4 Bar Hinge w/Stop	23" - 27"	79	50	28-14-6-36	.350 Track with .125 Shim
34.49.00.104	14"	Aluminum 4 Bar Hinge w/Stop	23" - 27"	79	50	28-14-6-25	.385 Track with No Shim
34.50.00.107	16"	Aluminum 4 Bar Hinge w/Stop	27" - 30"	88	50	28-16-6-18	.218 Track with No Shim
34.50.00.105	16"	Aluminum 4 Bar Hinge w/Stop	27" - 30"	88	50	28-16-6-20	.218 Track with .250 Shim
34.50.00.104	16"	Aluminum 4 Bar Hinge w/Stop	27" - 30"	88	50	28-16-6-22	.350 Track with No Shim
34.50.00.101	16"	Aluminum 4 Bar Hinge w/Stop	27" - 30"	88	50	28-16-6-25	.385 Track with No Shim
34.51.00.100	18"	Aluminum 4 Bar Hinge w/Stop	30" - 35"	102	50	28-18-6-18	.218 Track with No Shim
34.51.00.101	18"	Aluminum 4 Bar Hinge w/Stop	30" - 35"	102	50	28-18-6-19	.218 Track with .187 Shim
34.51.00.103	18"	Aluminum 4 Bar Hinge w/Stop	30" - 35"	102	50	28-18-6-22	.350 Track with No Shim

TOLL FREE: 800-352-0800

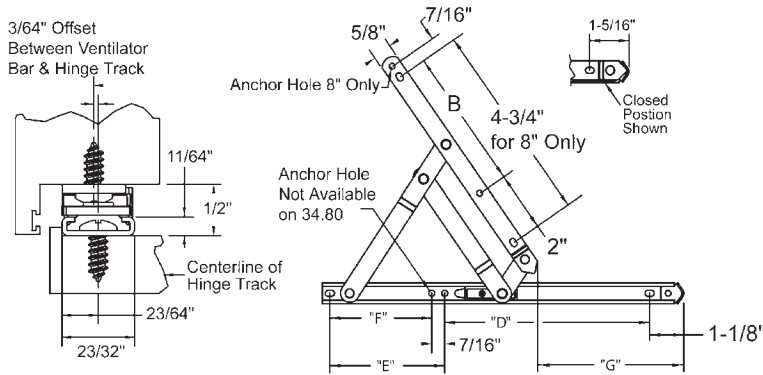
2011 PGI©



Window Replacement Hardware

Casement and Awning Hinges

TRUTH'S ANDERBERG 201 SERIES HINGE

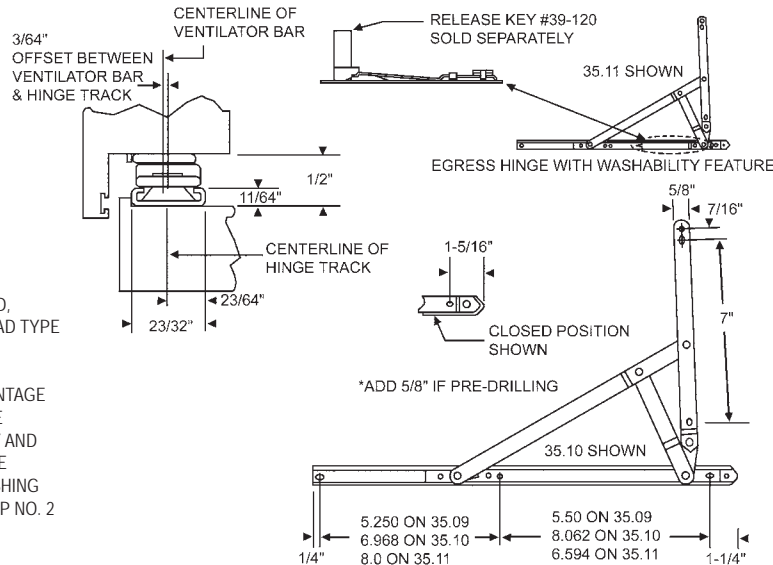


SS - Stainless Steel
ST - Steel

Material	Length	Truth Part #	Our Part #	Stop/No Stop	Ventilator Bar	Track	STD Stop	No Stop Track	"G"		Degree of Opening
					"B"	"D"	"E"	"F"	STD Stop	No Stop	Stop
SS	8"	34.10.00.101	28-8-2-03	Stop	N/A	5-5/32"	1-5/8"	1-1/4"	3"	4-1/4"	54°
ST	8"	34.17.00.104	28-8-1-03	Stop	N/A	5-5/32"	1-5/8"	1-1/4"	3"	4-1/4"	54°
SS	10"	34.11.00.102	28-10-2-07	Stop	3-3/4"	6-1/32"	2-3/4"	2"	4"	5-13/32"	55°
ST	10"	34.18.00.100	28-10-1-03	Stop	3-3/4"	6-1/32"	2-3/4"	2"	4"	5-13/32"	55°
SS	12"	34.12.00.100	28-12-2-07	Stop	4-3/4"	6-29/32"	3-7/8"	3"	4-7/8"	6-1/2"	55°
ST	12"	34.19.00.104	28-12-1-07	Stop	4-3/4"	6-29/32"	3-7/8"	3"	4-7/8"	6-1/2"	55°
SS	14"	34.13.00.102	28-14-2-07	Stop	5-3/4"	7-25/32"	5"	3-3/4"	5-3/4"	7-23/32"	55°
ST	14"	34.20.00.100	28-14-1-07	Stop	5-3/4"	7-25/32"	5"	3-3/4"	5-3/4"	7-23/32"	55°
SS	16"	34.14.00.100	28-16-2-07	Stop	6-3/4"	8-21/32"	6-1/8"	4-1/2"	6-1/8"	8-7/8"	55°
ST	16"	34.21.00.102	28-16-1-07	Stop	6-3/4"	8-21/32"	6-1/8"	4-1/2"	6-1/8"	8-7/8"	55°
SS	18"	34.15.00.102	28-18-2-07	Stop	7-3/4"	9-17/32"	7-1/4"	5-1/4"	7-7/16"	10"	55°
SS	20"	34.16.00.100	28-20-2-07	Stop	8-3/8"	10-13/32"	8-3/8"	6-1/4"	8-9/32"	11-5/32"	55°
ST	20"	34.23.00.102	28-20-1-07	Stop	8-3/8"	10-13/32"	8-3/8"	6-1/4"	8-9/32"	11-5/32"	55°

Note: Ask Account Manager About Variations if Chart Does not Meet Requirements

TRUTH'S STANDARD DUTY STAINLESS STEEL 4-BAR EGRESS HINGES - ANDERBERG 222SS AND 224SS SERIES



RECOMMENDED SCREWS:

6- NO. 10 SLOTTED OR NO. 6 PHILLIPS, PAN HEAD, STAINLESS STEEL SCREWS (LENGTH AND THREAD TYPE TO BE DETERMINED BY PROFILE DESIGN).

NOTE: THE 35.11 HINGE OFFERS YOU THE ADVANTAGE OF ALLOWING THE OUTSIDE OF THE VENT TO BE WASHED FROM THE INSIDE BY INSERTING A KEY AND SLIDING THE CASEMENT WINDOW TOWARDS THE CENTER OF THE FRAME OPENING GIVING A WASHING SPACE OF APPROXIMATELY 4-1/2" (SEE TRUTH TIP NO. 2 FOR ADDITIONAL INFORMATION)

Truth Part #	Part Number	Description	Stop
35.09.00.100	28-12.2-00	12-1/4" w/Stop	90°
35.09.00.101	28-12.2-01	12-1/4" w/Stop and Loose Rivet	90°
35.10.00.100	28-16.2-00	16-1/8" w/Stop	90°
35.10.00.101	28-16.2-01	16-1/8" w/Stop and Loose Rivet	90°
35.11.00.100	28-16.2-02	16-1/8" w/Stop and Washability Feature	90°
35.11.00.101	28-16.2-03	16-1/8" w/Stop, Loose Rivet and Washability Feature	90°

Window Replacement Hardware

Casement and Awning Hinges

TRUTH'S ANDERBERG 301SS, 301ST and 301AL SERIES HINGE

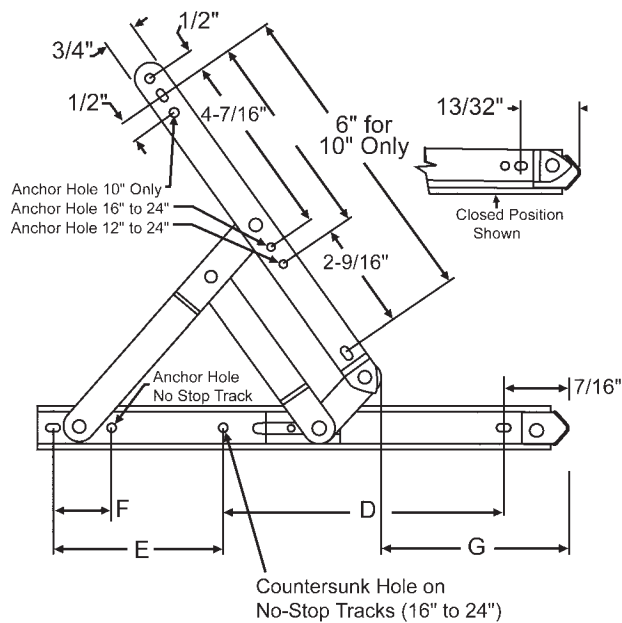
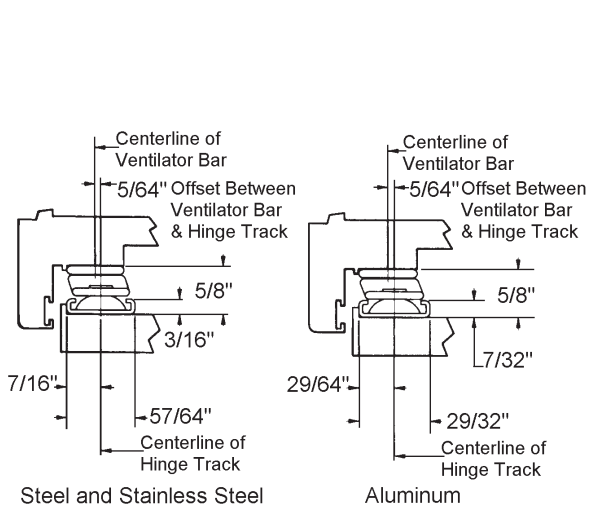


Part Number Guide

Add the suffix of the specific feature you require on the hinge to complete our part number

Material	Size	Truth Part #	Our Part #	Stop	No Stop	Loose Rivets	.125 Shim	.187 Shim	.250 Shim	.312 Shim	Alum. Hinges Only			
											.218 Track		.350 Track	.385 Track
											.125 Shim	.250 Shim		
SS	10"	34.24.00	28-10-3	-03	-00	-04	-06	-07	-84	-87				
ST	10"	34.33.00	28-10-4	-03			-06	-05						
AL	10"	34.41.00	28-10-5								-61	-63	-64	-66 -67
SS	12"	34.25.00	28-12-3	-14		-15	-17							
ST	12"	34.34.00	28-12-4	-14										
AL	12"	34.42.00	28-12-5								-73	-72	-71	-52 75
SS	14"	34.26.00	28-14-3	-21	-00		23	22	-84					
ST	14"	34.35.00	28-14-4	-21			-23	21B						
SS	16"	34.27.00	28-16-3	-25			-01		29					
ST	16"	34.36.00	28-16-4	25										
SS	18"	34.28.00	28-18-3	25			08		84					
ST	18"	34.37.00	28-18-4	-25				-27						
SS	20"	34.29.00	28-20-3	-25			-28	-27	29					
ST	20"	34.38.00	28-20-4	-25										
SS	24"	34.31.00	28-24-3	-09			-08	-11	-12					
ST	24"	34.39.00	28-24-4	-09				-07						
SS	28"	34.86.00	28-28-3	45										

Dark Gray Vertical Columns Denote Hinges without Stops (Maximum Opening)



Truth Part #.			Hinge Length	Vent Hinge Range	Maximum Vent Wt.	Ventilator Bar B	Track D	Std. Stop E	No-Stop Track F	G		Degree of Opening	
SS	ST	AL								Std. Stop	No Stop	Std. Stop	No Stop
34.24	34.33	34.41	10"	12"-20"	58	N/A	6-11/32"	2-1/4"	1-3/8"	4"	6-1/4"	58°	77°
34.25	34.34	34.42	12"	20"-25"	73	4-15/16"	6-19/32"	4"	1-5/8"	4-1/4"	7-3/4"	52°	77°
34.26	34.35	34.43	14"	23"-29"	85	5-15/16"	6-15/16"	5-21/32"	2-1/8"	4-1/4"	9-1/4"	48°	77°
34.27	34.36	34.44	16"	25"-34"	99	6-15/16"	7-21/32"	6-15/16"	2-5/8"	5-3/32"	10-3/4"	49°	77°
34.28	34.37	34.45	18"	32"-37"	108	7-15/16"	8-9/32"	8-5/16"	8-1/8"	5-3/4"	12-1/4"	49°	77°
34.29	34.38	34.46	20"	34"-40"	117	8-15/16"	8-31/32"	9-5/8"	3-5/8"	6-7/16"	13-13/16"	49°	77°
34.31	34.39	N/A	24"	40"-44"	129	10-15/16"	9-3/32"	13-1/2"	4-5/8"	6-3/4"	16-7/8"	45°	77°
34.86	N/A	N/A	28"	50"-64"	175	12-15/16"	9-19/32"	17"	N/A	7-1/2"	N/A	40°	N/A

TOLL FREE: 800-352-0800

2011 PGI©



Window Replacement Hardware

Casement and Awning Hinges

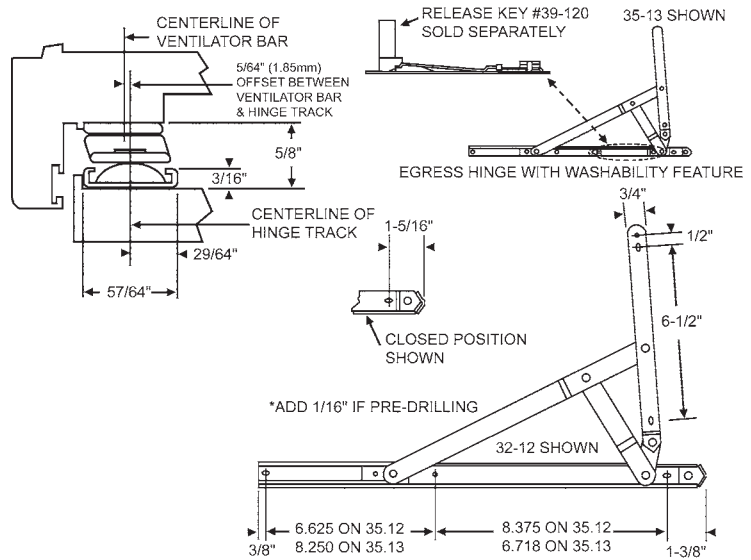
TRUTH'S HEAVY DUTY STAINLESS STEEL 4-BAR EGRESS HINGES - ANDERBERG 333SS AND 334SS SERIES



RECOMMENDED SCREWS:

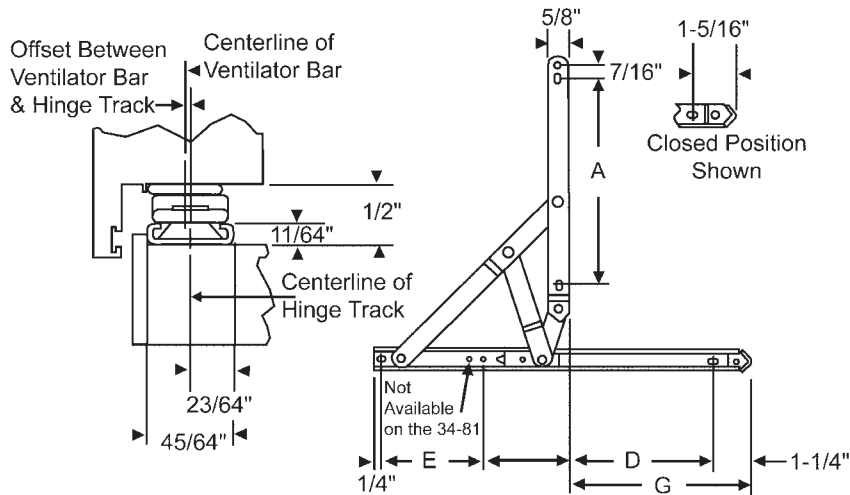
6- NO .10 PHILLIPS, PAN HEAD, STAINLESS STEEL SCREWS (LENGTH AND THREAD TYPE TO BE DETERMINED BY PROFILE DESIGN).

NOTE: 1- THE 35-13 HINGE OFFERS YOU THE ADVANTAGE OF ALLOWING THE OUTSIDE OF THE VENT TO BE WASHED FROM THE INSIDE BY INSERTING A KEY AND SLIDING THE CASEMENT WINDOW TOWARDS THE CENTER OF THE FRAME OPENING GIVING A WASHING SPACE OF APPROXIMATELY 4-1/2" (SEE TRUTH TIP NO. 2 FOR ADDITIONAL INFORMATION)



Truth Part #	Part Number	Description	Stop
35.12.00.100	28-16.5-00	16-1/2" w/Stop	90°
35.12.00.101	28-16.5-01	16-1/2" w/Stop and Loose Rivet	90°
35.13.00.100	28-16.5-02	16-1/2" w/Stop and Washability Feature	90°
35.13.00.101	28-16.5-09	16-1/2" w/Stop, Loose Rivet and Washability Feature	90°

TRUTH'S STANDARD DUTY STAINLESS STEEL CASEMENT HINGES - ANDERBERG 401 SERIES

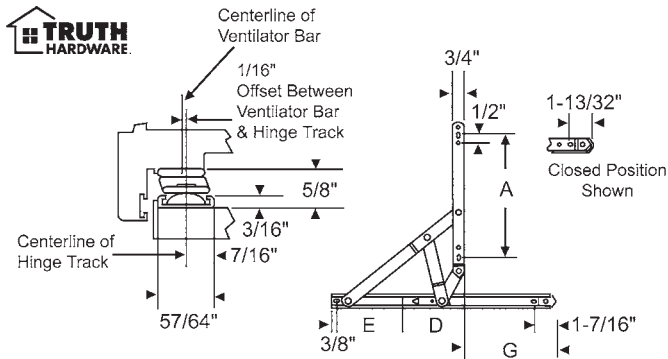


Truth Part #	Our Part #	Hinge Length	"A"	"D"	"E"	"G"	Stop
34.55.00.100	28-12-12-0	12"	6-3/4"	7-15/32"	3-5/16"	5-15/16"	90°
34.56.00.100	28-14-12-0	14"	7-9/32"	8-5/32"	4-5/8"	6-3/16"	90°
34.57.00.100	28-16-12-0	16"	7-25/32"	8-25/32"	6"	6-21/32"	90°
34.58.00.100	28-18-12-0	18"	8-5/16"	9-3/8"	7-13/32"	7-1/8"	90°

Window Replacement Hardware

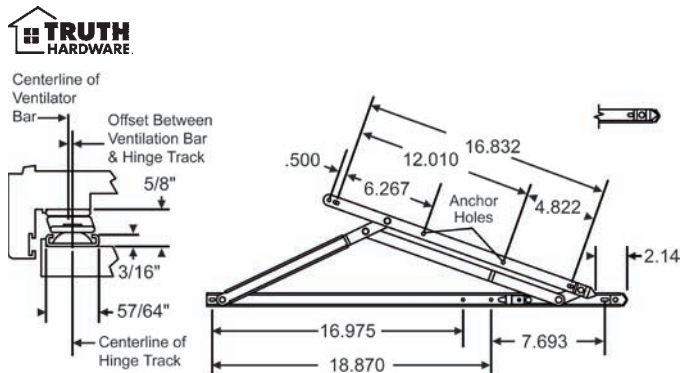
Casement and Awning Hinges

HEAVY DUTY STAINLESS STEEL CASEMENT HINGES - ANDERBERG 601 SERIES



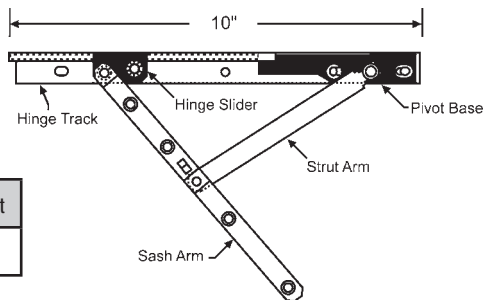
Truth Part #	Our Part #	Hinge Length	"A"	"D"	"E"	"G"	Stop
34.59.00.100	28-14-13-0	14"	8"	8-13/32"	4-3/16"	6"	90°
34.60.00.100	28-16-13-0	16"	8"	7-29/32"	6-11/16"	5-5/8"	90°
34.61.00.100	28-18-13-0	18"	8"	7-21/32"	8-15/16"	5-7/16"	90°

TRUTH'S SUPERIOR 4-BAR HINGE - ANDERBERG 301 SERIES



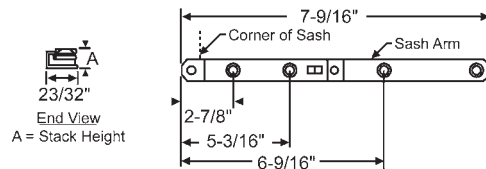
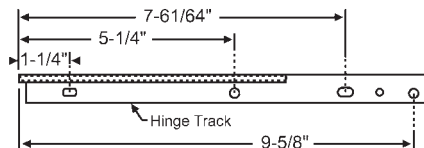
Truth Part #	Our Part #	Hinge Length	Vent Height Range	Degree of Opening	Maximum Vent Weight
34.87	28-28-15-2S	28"	64" to 86"	20°	300 lbs.

10" HP200 TRACK AND ARM CASEMENT HINGE ASSEMBLY

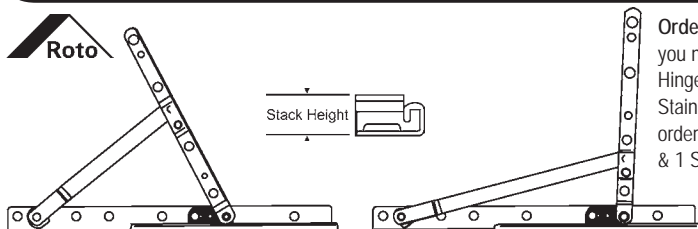


Part #	"A" Stack Height
28-10-23	1/2"

4pc. Set (2 Track & 2 Arms)



HG05 CASEMENT HINGE*



Washability

Egress

Ordering Example: If you need two 10" Steel Hinge Arms and two 10" Stainless Steel Tracks order 1 Set # 28R-10-1 & 1 Set # 28R-10T

The Roto HG05 Hinge series features 10" and 13" washability versions as well as a 10" egress version and is suitable for most casement and awning window applications (wood, vinyl, aluminum, and fiberglass). They are available in both 7/16" and 1/2" stack height versions, so there is no need for a spacer. The use of high quality materials and manufacturing processes makes this one of the strongest hinges on the market. The hinges are available in powder coated steel or Stainless Steel versions.

Features

Each hinge is equipped with Roto's quick disconnect feature that allows for easy snap connection between the sash and frame. With a simple turn of a wrench, the hinge adjusts to compensate for sash sag or window manufacturing variations, up to 3mm (.125). Additional holes in the hinge arms allow for installation into a bow/bay window and for adding a limiting device.

Performance

Hinge arms are rounded at the edges to resist binding and the track/slider overlaps by 2.7mm (0.106") to prevent disengagement. The hinge slider is reinforced with a stainless steel insert for greater rigidity and furnishes a 2mm clearance, eliminating interference with screws.

The HG05 hinge is AAMA 904 life cycle compliant at 125 lbs. on the 13" hinge and at 110 lbs. on the 10" version. Both steel versions are AAMA 907 corrosion compliant at 750 hours for powder coated and over 1000 hours for stainless steel. The hinges also pass ASTM E1886 and ASTM E1996 hurricane impact testing.

Hinge Arm Set	Arm Finish	Stainless Steel Hinge Track Set	Size	Stack Height	Version
28R-10-1	Powder Coated Steel	28R-10T	10"	7/16"	Washability
28R-10-1SS	Stainless Steel	28R-10T	10"	7/16"	Washability
28R-10-1E	Powder Coated Steel	28R-10T	10"	7/16"	Egress
28R-10-1ESS	Stainless Steel	28R-10T	10"	7/16"	Egress
28R-10-2	Powder Coated Steel	28R-10T	10"	1/2"	Washability
28R-10-2SS	Stainless Steel	28R-10T	10"	1/2"	Washability
28R-10-2E	Powder Coated Steel	28R-10T	10"	1/2"	Egress
28R-10-2ESS	Stainless Steel	28R-10T	10"	1/2"	Egress
28R-13-1	Powder Coated Steel	28R-13T	13"	7/16"	Washability
28R-13-1SS	Stainless Steel	28R-13T	13"	7/16"	Washability
28R-13-2	Powder Coated Steel	28R-13T	13"	1/2"	Washability
28R-13-2SS	Stainless Steel	28R-13T	13"	1/2"	Washability

* Direct replacement for the Roto HG04 Casement Hinge.

TOLL FREE: 800-352-0800

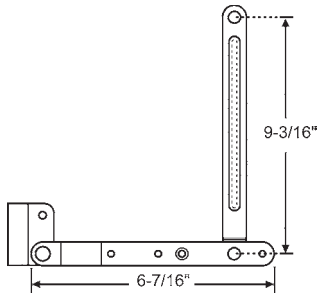
2011 PGI©



215

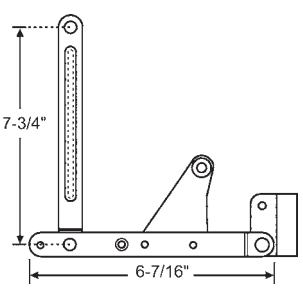
Window Replacement Hardware

Casement and Awning Hinges



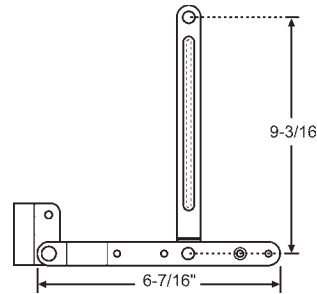
Part #	Hand
28-81RH	Shown
28-81LH	Opposite

Top Hinge Assembly
Peachtree



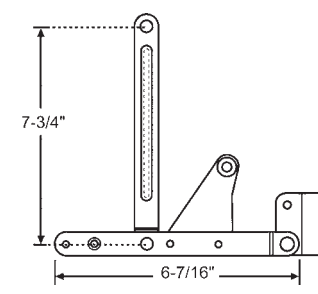
Part #	Hand
28-80RH	Shown
28-80LH	Opposite

Bottom Hinge Assembly
Peachtree



Part #	Hand
28-82RH	Shown
28-82LH	Opposite

Egress Top Hinge Assembly
Peachtree

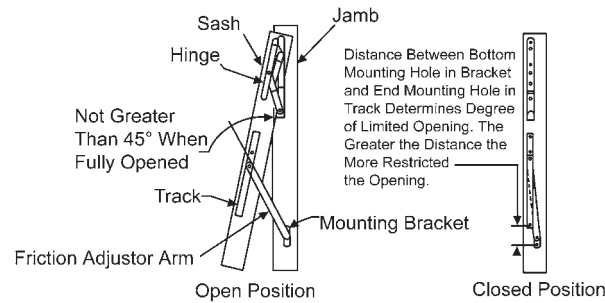


Part #	Hand
28-83RH	Shown
28-83LH	Opposite

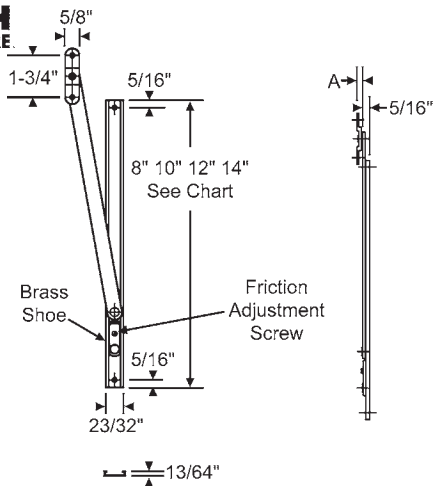
Egress Bottom Hinge Assembly
Peachtree

Sash Control Devices

TRUTH'S HEAVY DUTY FRICTION ADJUSTERS



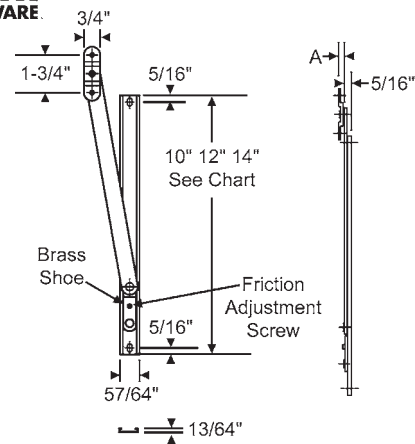
TRUTH'S STANDARD DUTY FRICTION ADJUSTERS - ANDERBERG FA22SS SERIES



Truth Part #	Our Part #	Track Length	"A" Dimension
37.35.00.100	28-8-9-00	8"	15/64" (.235)
37.36.00.100	28-10-9-00	10"	15/64" (.235)
37.37.00.100	28-12-9-00	12"	15/64" (.235)
37.38.00.100	28-14-9-00	14"	15/64" (.235)

Note: Bar length is always 2" shorter than track length.

TRUTH'S HEAVY DUTY FRICTION ADJUSTERS - ANDERBERG FA33SS SERIES



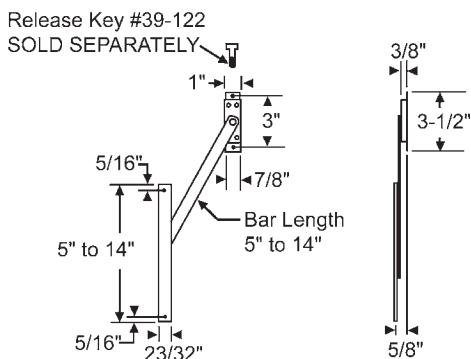
Truth Part #	Our Part #	Track Length	"A" Dimension
37.41.00.100	28-10-10-0	10"	15/64" (.235)
37.42.00.100	28-12-10-0	12"	15/64" (.235)
37.43.00.100	28-14-10-0	14"	15/64" (.235)

Note: Bar length is always 2" shorter than track length. Must specify bracket height from chart if not a standard bracket. Please contact Account Manager for correct part number.

Window Replacement Hardware

Sash Control Devices

TRUTH'S STANDARD DUTY LIMIT DEVICE WITH KEY RELEASE - ANDERBERG FA220SS SERIES

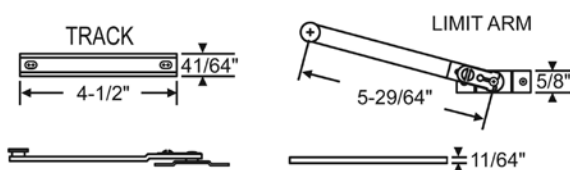


Truth Part #	Our Part #	Track Length	Bar Length
37.26.00.100	28-5-11-0	5"	5"
37.27.00.100	28-6-11-0	6"	6"
37.28.00.100	28-7-11-0	7"	7"
37.29.00.100	28-8-11-0	8"	8"
37.31.00.100	28A-10-11-0	10"	8"
37.31.00.101	28-10-11-0	10"	10"
37.33.00.100	28B-12-10-0	12"	6"
37.33.00.101	28B-12-11-0	12"	10"
37.33.00.102	28-12-11-0	12"	12"
37.34.00.101	28-14-11-0	14"	14"

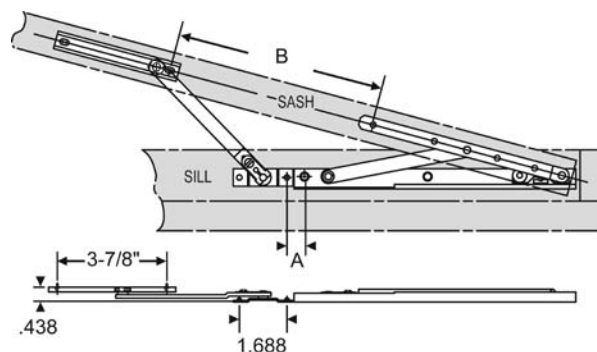
Note: If a bracket is not specified it comes with the standard 15/64" bracket (.235).



99.20 Limit Device
99.24 Stainless Steel
Limit Device

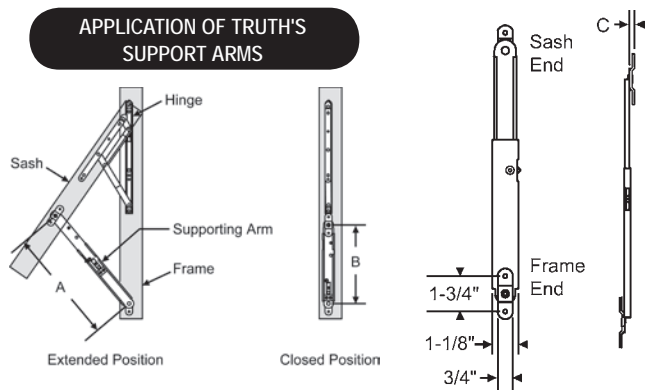


Part #	Description
39-167	5" Limit Device (Arm Only)
39-167SS	Stainless Steel 5" Limit Device (Arm Only)
39-481	Track Only
39-482	Arm & Track Assembly
39-482SS	Stainless Steel Arm & Track Assembly



TRUTH SUPPORT ARMS - ANDERBERG 88SS SERIES

APPLICATION OF TRUTH'S SUPPORT ARMS

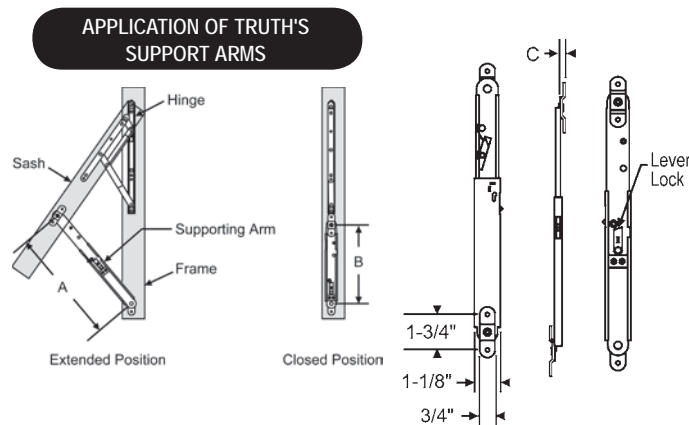


Truth Part #	Part #	Support Arm	Description (C)
37.10.00.100	28-10-7-01	10"	with two .110 Brackets
37.10.00.103	28-10-7-07	10"	with two .235 Brackets
37.11.00.104	28-12-7-01	12"	with two .110 Brackets
37.11.00.102	28-12-7-07	12"	with two .235 Brackets
37.12.00.100	28-14-7-01	14"	with two .110 Brackets
37.13.00.106	28-16-7-01	16"	with two .110 Brackets
37.13.00.103	28-16-7-07	16"	with two .235 Brackets
37.14.00.100	28-18-7-01	18"	with two .110 Brackets
37.15.00.102	28-20-7-01	20"	with two .110 Brackets
37.16.00.302	28-22-7-07	22"	with two .235 Brackets
37.17.00.105	28-24-7-01	24"	with two .110 Brackets
37.18.00.101	28-26-7-01	26"	with two .110 Brackets

Other lengths and bracket attachments available.
Contact your Sales Representative for details.

TRUTH SUPPORT ARMS WITH LIMIT DEVICE - ANDERBERG 880SS SERIES

APPLICATION OF TRUTH'S SUPPORT ARMS



#39-121 Release Key
Sold Separately

Truth Part #	Part #	Support Arm	Description (C)
37.20.00.100	28-12-8-01	12"	with two .110 Brackets
37.21.00.103	28-16-8-01	16"	with two .110 Brackets
37.21.00.110	28-16-8-04	16"	with two .180 Brackets
37.22.00.100	28-20-8-01	20"	with two .110 Brackets
37.23.00.114	28-24-8-01	24"	with two .110 Brackets
37.23.00.113	28-24-8-04	24"	with two .180 Brackets
37.24.00.107	28-28-8-02	28"	with two .180 Brackets

Other lengths and bracket attachments available.
Contact your Sales Representative for details.

TOLL FREE: 800-352-0800

2011 PGI©



217